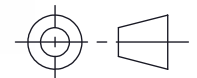


Weight: 1912.74 LBS



**GALLAGHER STAGING  
& PRODUCTIONS**  
15701 Heron Ave,  
La Mirada,  
CA 90628  
TEL : +1 (714) 690 1559  
www.gallagherstaging.com

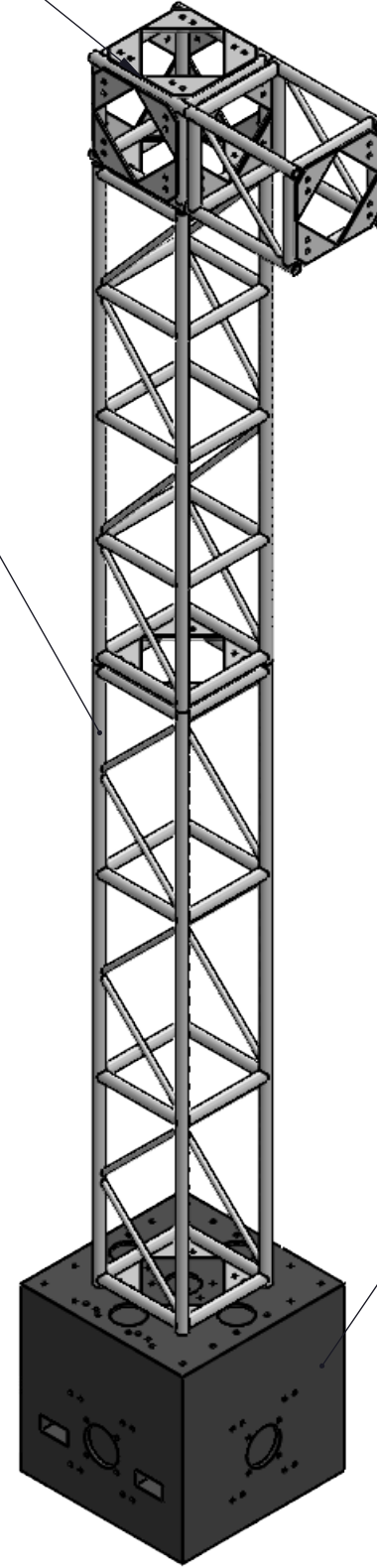


<b>Project Name:</b> DISNEY	<b>Date:</b> 03/27/20
<b>Drawing Name:</b> PA TOWER	<b>Scale:</b> 1:64 @ 11in x 17in
<b>Project Number:</b> G20-1393	<b>Rev Date:</b>
<b>Drawn by:</b> Jonathan Liu	<b>Sheet:</b> 1 of 3
<b>Drawing Number:</b> SA-G20-1393 D PATWR	<b>Rev:</b>

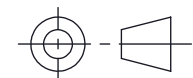
CORNER BLOCK

205" BOX TRUSS

G-BLOCK  
3'X3'X3'



Weight: 1912.74 LBS



**GALLAGHER STAGING & PRODUCTIONS**  
15701 Heron Ave,  
La Mirada,  
CA 90628  
TEL : +1 (714) 690 1559  
www.gallagherstaging.com



**Project Name:** DISNEY

**Drawing Name:** PA TOWER

**Project Number:** G20-1393

**Drawn by:** Jonathan Liu

**Drawing Number:** SA-G20-1393 D PATWR

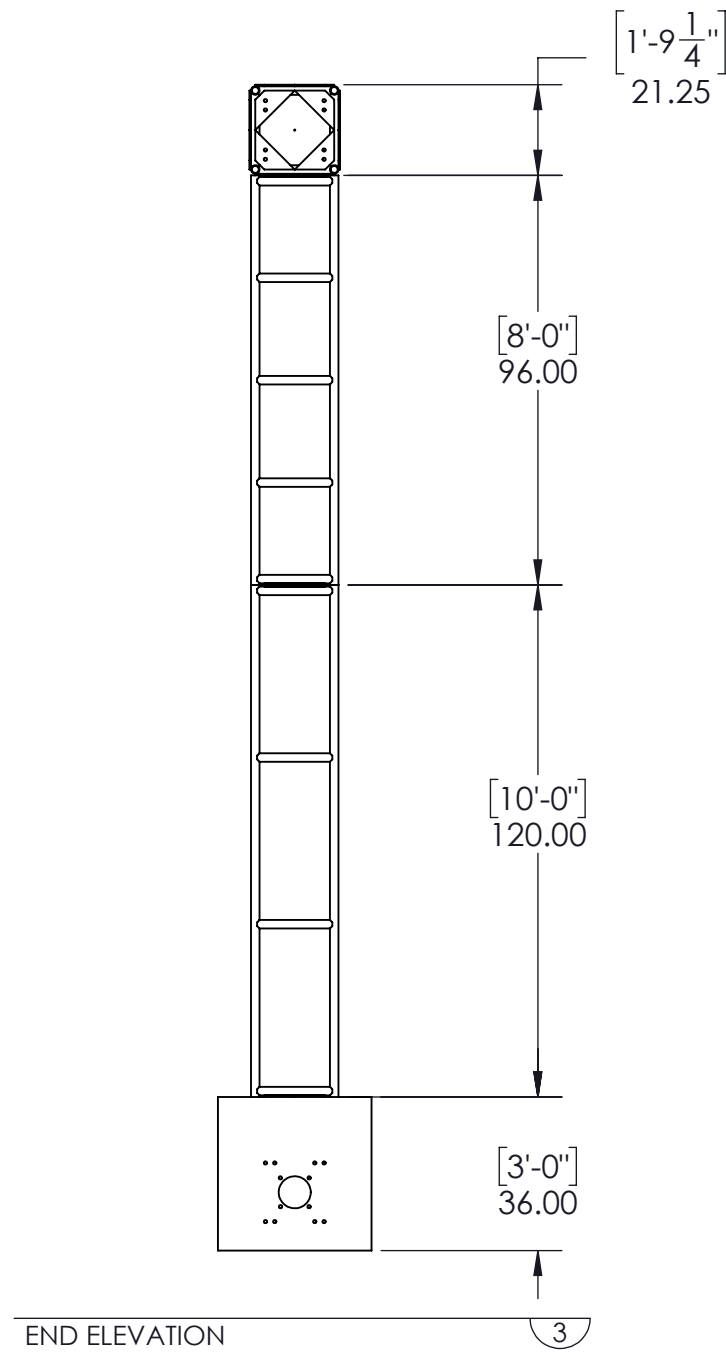
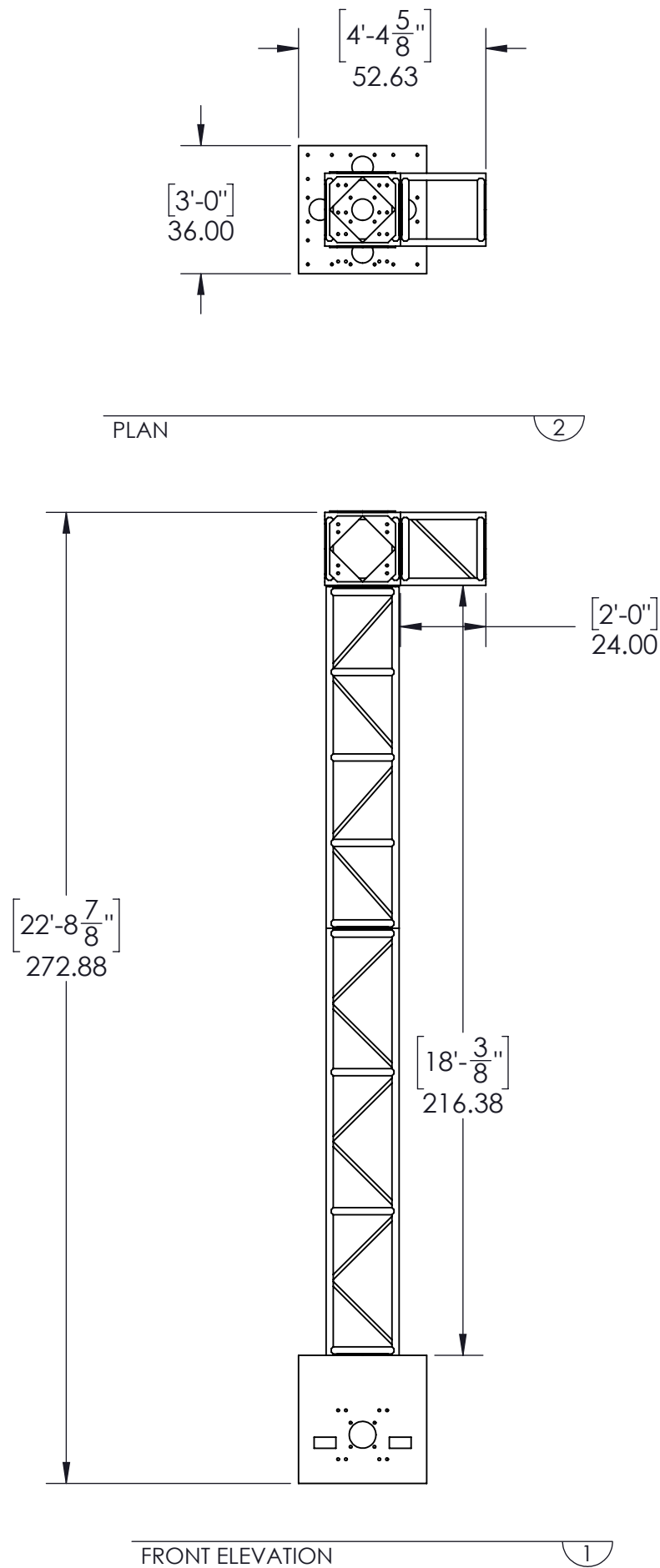
**Date:** 03/27/20

**Scale:** 1:30 @ 11in x 17in

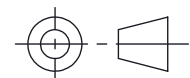
**Rev Date:**

**Sheet:** 2 of 3

**Rev:**



Weight: 1912.74 LBS



**GALLAGHER STAGING & PRODUCTIONS**  
 15701 Heron Ave,  
 La Mirada,  
 CA 90628  
 TEL : +1 (714) 690 1559  
 www.gallagherstaging.com



<b>Project Name:</b> DISNEY	<b>Date:</b> 03/27/20
<b>Drawing Name:</b> PA TOWER	<b>Scale:</b> 1:45 @ 11in x 17in
<b>Project Number:</b> G20-1393	<b>Rev Date:</b>
<b>Drawn by:</b> Jonathan Liu	<b>Sheet:</b> 3 of 3
<b>Drawing Number:</b> SA-G20-1393 D PATWR	<b>Rev:</b>

All dimensions in inches unless otherwise stated Do **NOT** measure undimensioned features **IF IN DOUBT - ASK!**

THIS DRAWING IS PROPERTY OF GALLAGHER STAGING AND PRODUCTIONS AND CANNOT BE DUPLICATED, MODIFIED OR USED FOR ANY OTHER PURPOSE WITHOUT WRITTEN PERMISSION FROM GALLAGHER STAGING. USE OF THIS DRAWING FOR BIDDING IS STRICTLY PROHIBITED. VERIFY ALL DIMENSIONS, SPECIFICATIONS, AND CONDITIONS BEFORE USING THIS DRAWING FOR CONSTRUCTION. THIS DRAWING IS CONFIDENTIAL AND SHOULD NOT BE DISCLOSED TO A 3RD PARTY WITHOUT WRITTEN PERMISSION FROM GALLAGHER STAGING AND PRODUCTIONS.