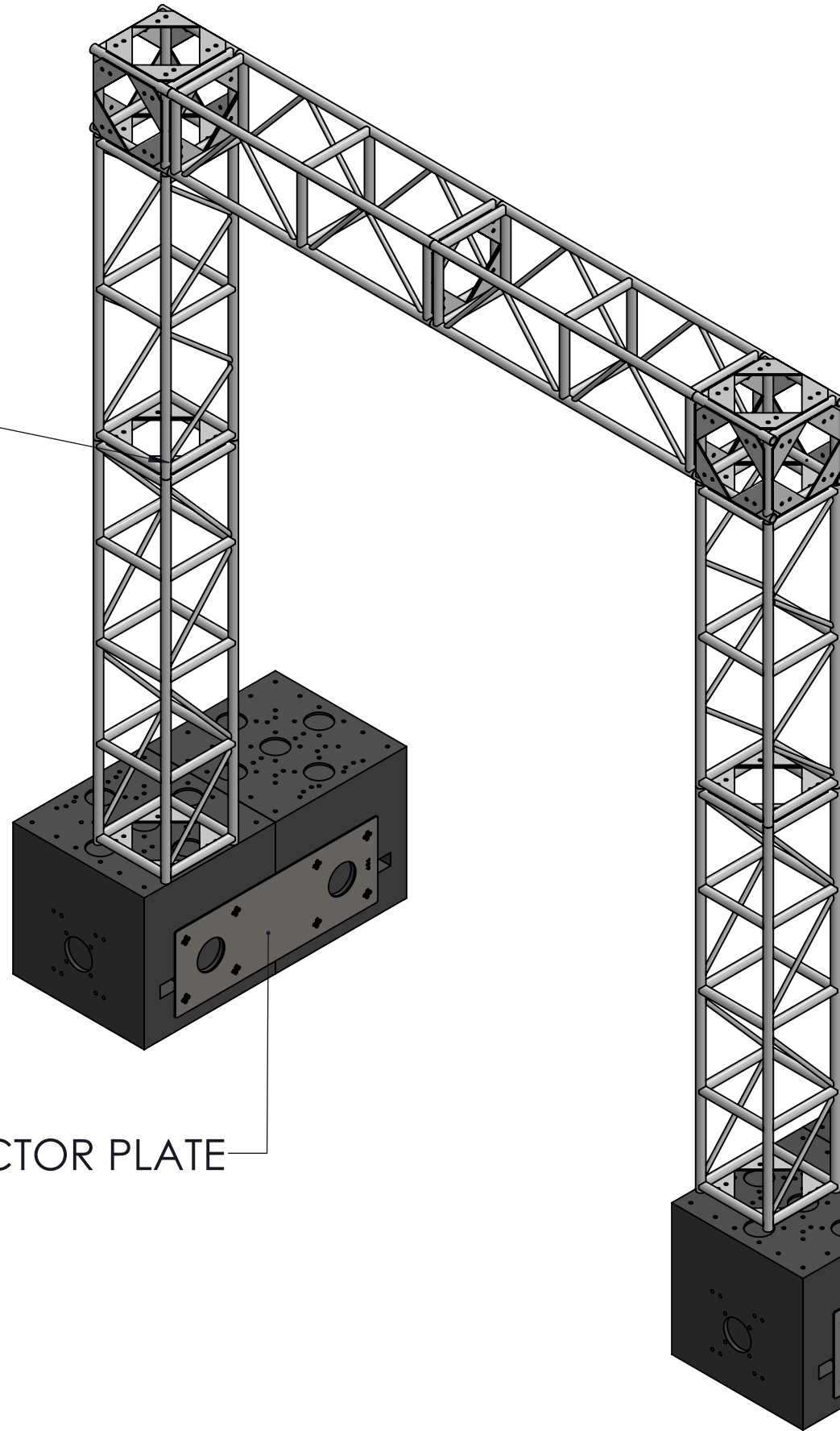


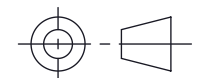
GS-20.5 BOX TRUSS



GS-CONNECTOR PLATE

GS-G-BLOCKS

Weight: 7447.43 LBS



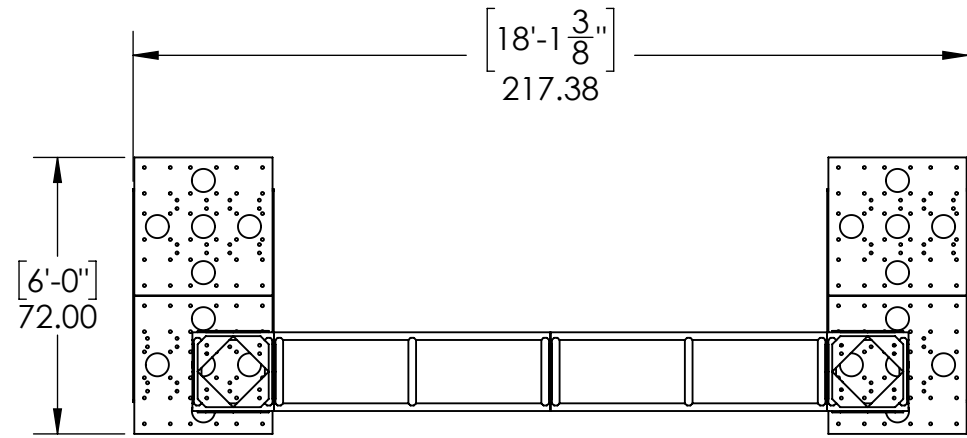
All dimensions in inches unless otherwise stated Do **NOT** measure undimensioned features **IF IN DOUBT - ASK!**

**GALLAGHER STAGING & PRODUCTIONS**  
 15701 Heron Ave,  
 La Mirada,  
 CA 90628  
 TEL : +1 (714) 690 1559  
 www.gallagherstaging.com

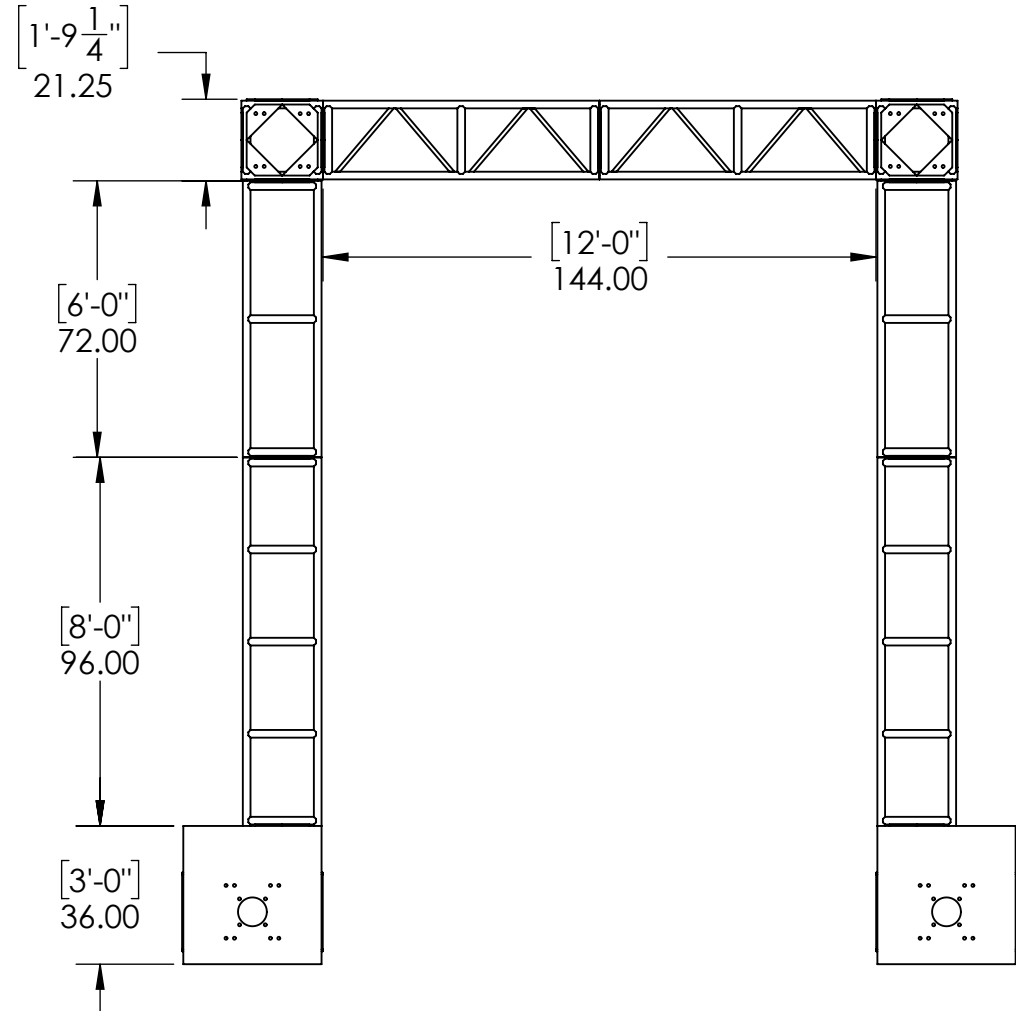


<b>Project Name:</b> GALLAGHER	<b>Date:</b> 03/06/20
<b>Drawing Name:</b> GALLAGHER - SA-G20-0985 D	<b>Scale:</b> 1:30 @ 11in x 17in
<b>Project Number:</b> GS-20	<b>Rev Date:</b>
<b>Drawn by:</b> Steven Du	<b>Sheet:</b> 1 of 3
<b>Drawing Number:</b> SA-G20-0985 D	<b>Rev:</b>

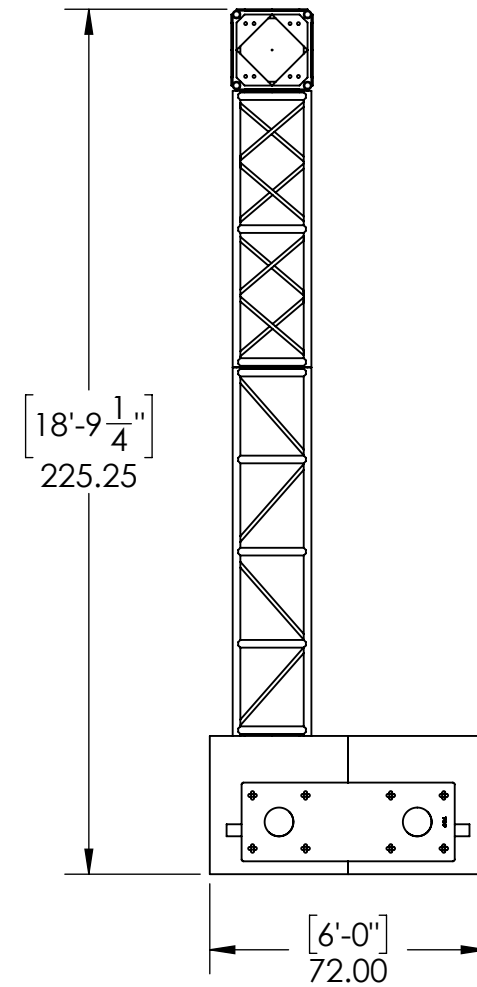
THIS DRAWING IS PROPERTY OF GALLAGHER STAGING AND PRODUCTIONS AND CANNOT BE DUPLICATED, MODIFIED OR USED FOR ANY OTHER PURPOSE WITHOUT WRITTEN PERMISSION FROM GALLAGHER STAGING. USE OF THIS DRAWING FOR BIDDING IS STRICTLY PROHIBITED. VERIFY ALL DIMENSIONS, SPECIFICATIONS, AND CONDITIONS BEFORE USING THIS DRAWING FOR CONSTRUCTION. THIS DRAWING IS CONFIDENTIAL AND SHOULD NOT BE DISCLOSED TO A 3RD PARTY WITHOUT WRITTEN PERMISSION FROM GALLAGHER STAGING AND PRODUCTIONS.



PLAN 2

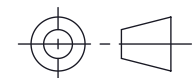


FRONT ELEVATION 1



END ELEVATION 3

Weight: 7447.43 LBS

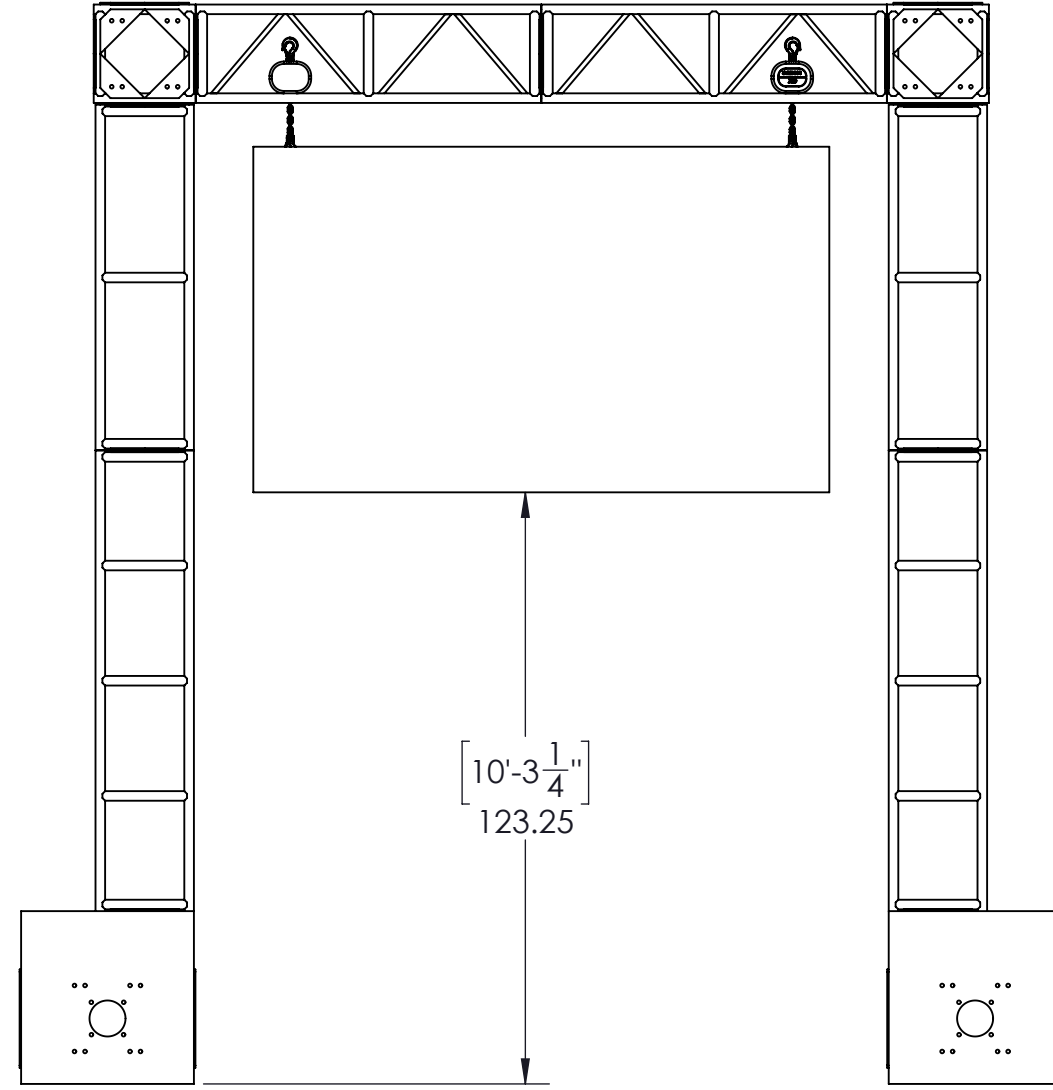


**GALLAGHER STAGING & PRODUCTIONS**  
 15701 Heron Ave,  
 La Mirada,  
 CA 90628  
 TEL : +1 (714) 690 1559  
 www.gallagherstaging.com

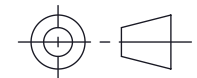


<b>Project Name:</b> GALLAGHER	<b>Date:</b> 03/06/20
<b>Drawing Name:</b> GALLAGHER - SA-G20-0985 D	<b>Scale:</b> 1:50 @ 11in x 17in
<b>Project Number:</b> GS-20	<b>Rev Date:</b>
<b>Drawn by:</b> Steven Du	<b>Sheet:</b> 2 of 3
<b>Drawing Number:</b> SA-G20-0985 D	<b>Rev:</b>

THIS DRAWING IS PROPERTY OF GALLAGHER STAGING AND PRODUCTIONS AND CANNOT BE DUPLICATED, MODIFIED OR USED FOR ANY OTHER PURPOSE WITHOUT WRITTEN PERMISSION FROM GALLAGHER STAGING. USE OF THIS DRAWING FOR BIDDING IS STRICTLY PROHIBITED. VERIFY ALL DIMENSIONS, SPECIFICATIONS, AND CONDITIONS BEFORE USING THIS DRAWING FOR CONSTRUCTION. THIS DRAWING IS CONFIDENTIAL AND SHOULD NOT BE DISCLOSED TO A 3RD PARTY WITHOUT WRITTEN PERMISSION FROM GALLAGHER STAGING AND PRODUCTIONS.



Weight: 7447.43 LBS



**GALLAGHER STAGING & PRODUCTIONS**  
 15701 Heron Ave,  
 La Mirada,  
 CA 90628  
 TEL : +1 (714) 690 1559  
 www.gallagherstaging.com



<b>Project Name:</b> GALLAGHER	<b>Date:</b> 03/06/20
<b>Drawing Name:</b> GALLAGHER - SA-G20-0985 D	<b>Scale:</b> 1:40 @ 11in x 17in
<b>Project Number:</b> GS-20	<b>Rev Date:</b>
<b>Drawn by:</b> Steven Du	<b>Sheet:</b> 3 of 3
<b>Drawing Number:</b> SA-G20-0985 D	<b>Rev:</b>