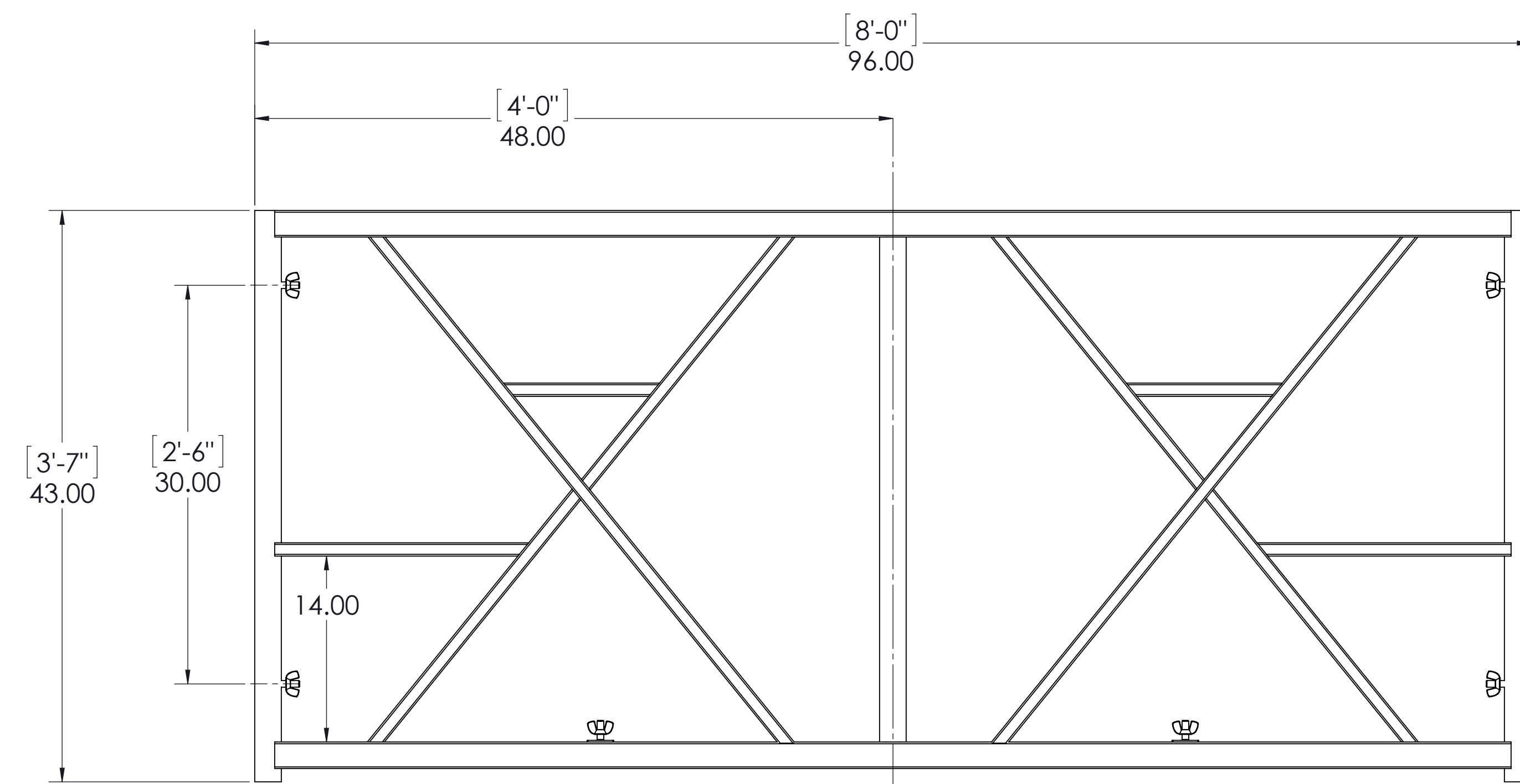
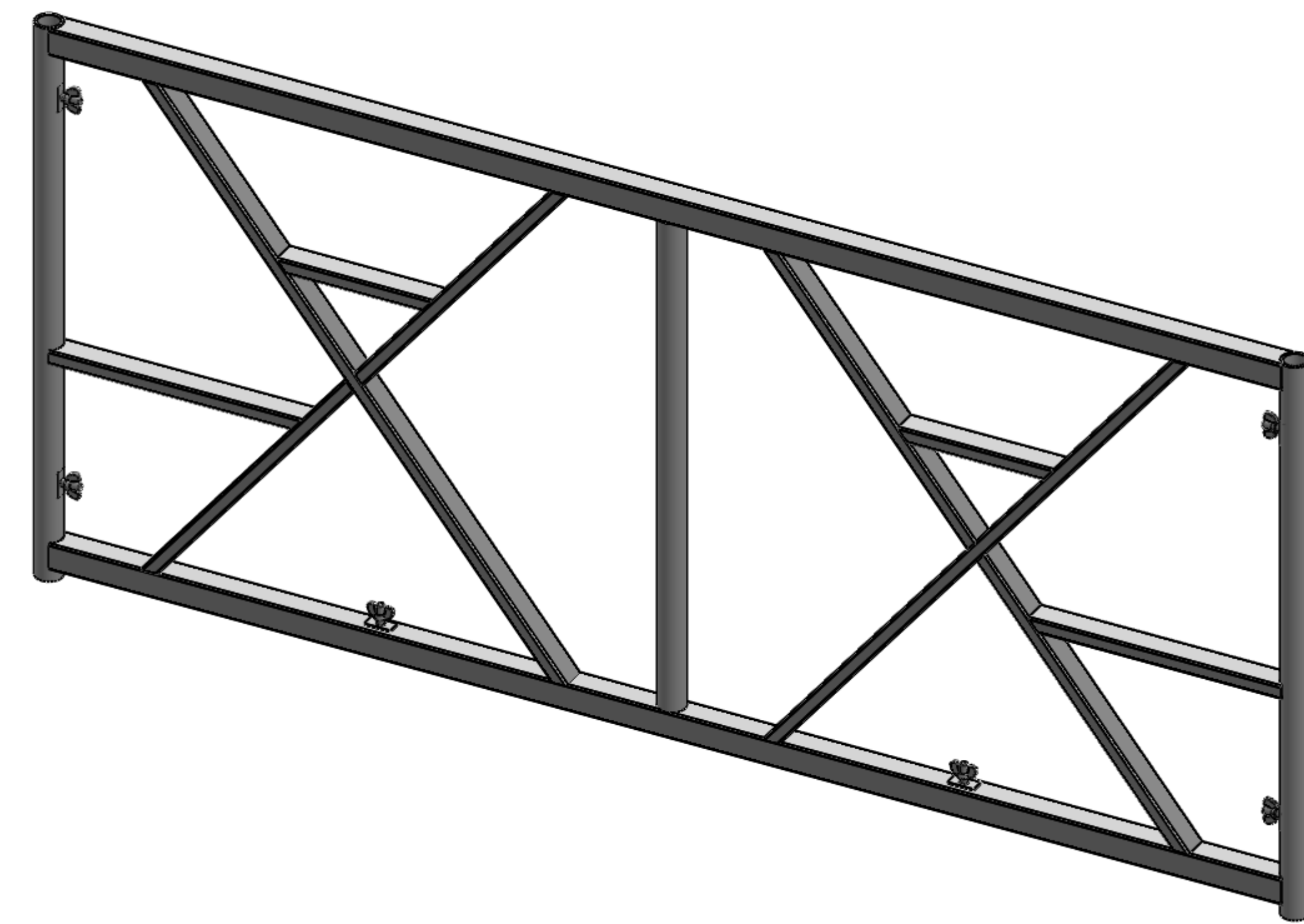


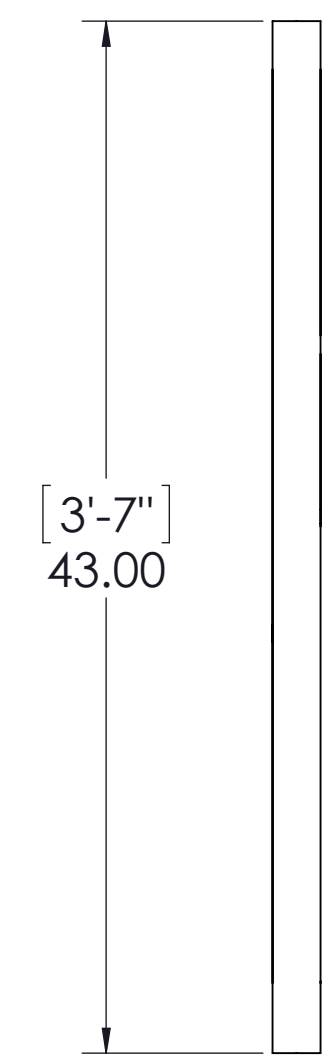
PLAN VIEW 1



FRONT ELEVATION VIEW 2



SIDE ELEVATION VIEW 3



NOTES: UNLESS OTHERWISE SPECIFIED

PROJECT NAME: GALLAGHER WALL	DATE: 02/18/2015
DRAWING TITLE: GALLAGHER WALL - 4FT X 8FT	REVISION: V1
PROJECT NUMBER:	SCALE: 1 TO 8 ON 11 X 17 PAGE

GALLAGHER STAGING & PRODUCTIONS
 15701 HERON AVE
 LA MIRADA, CA 90638

