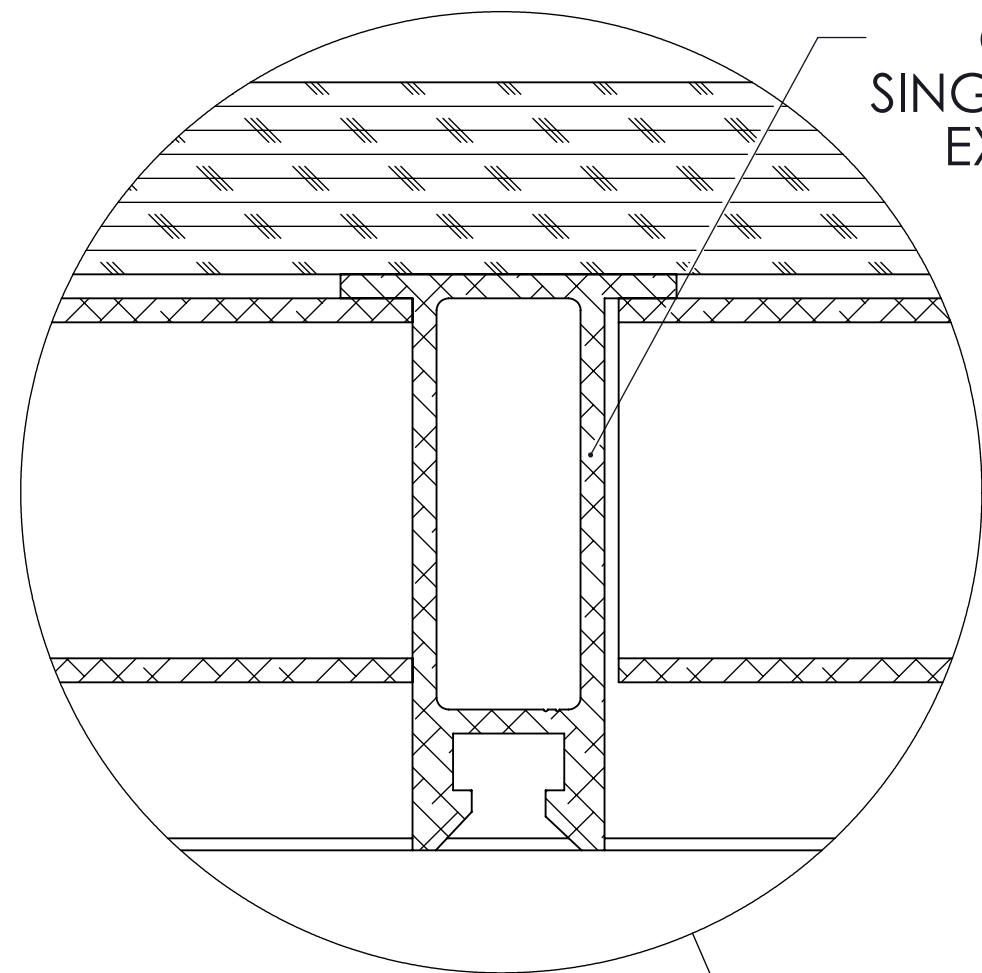
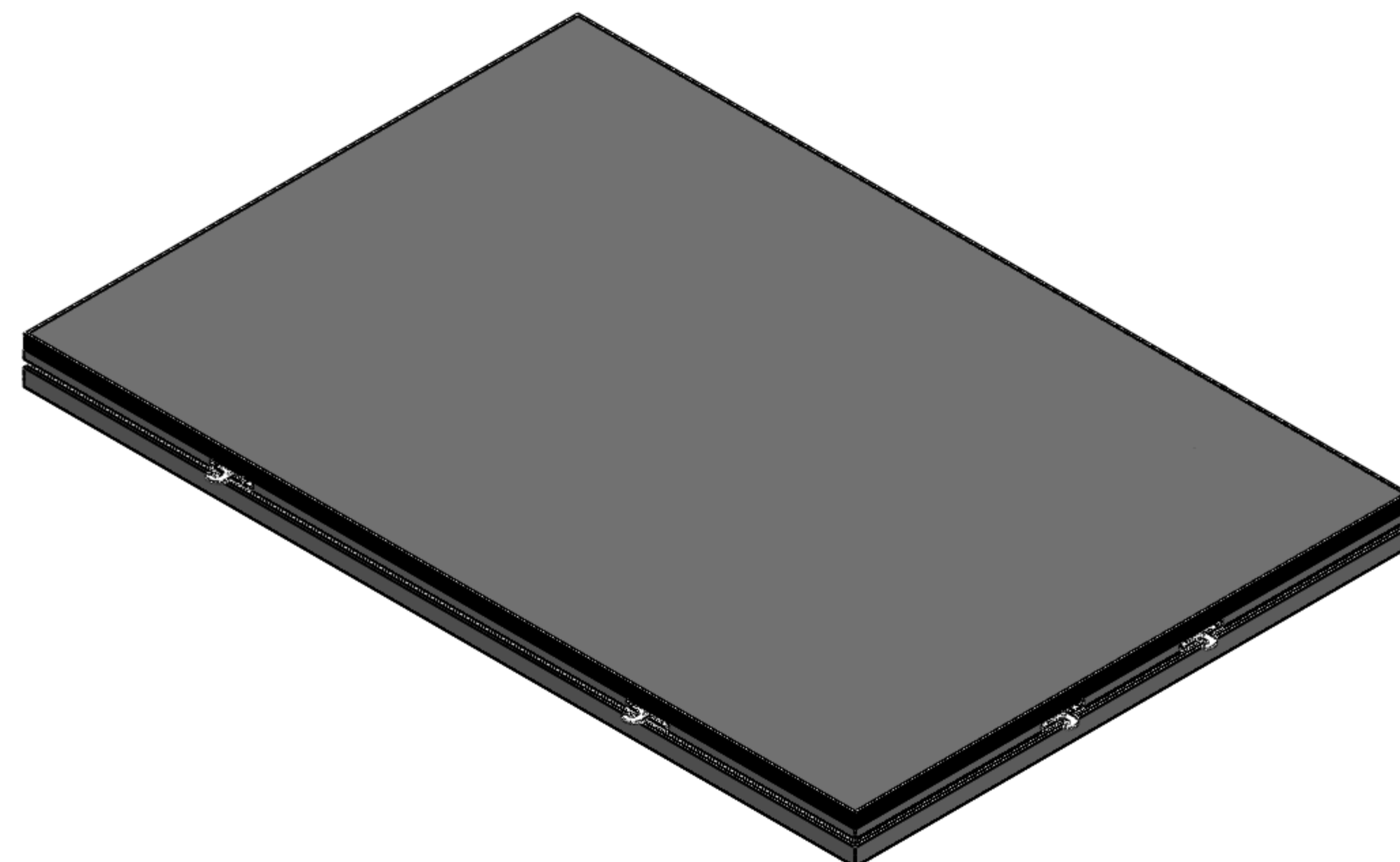
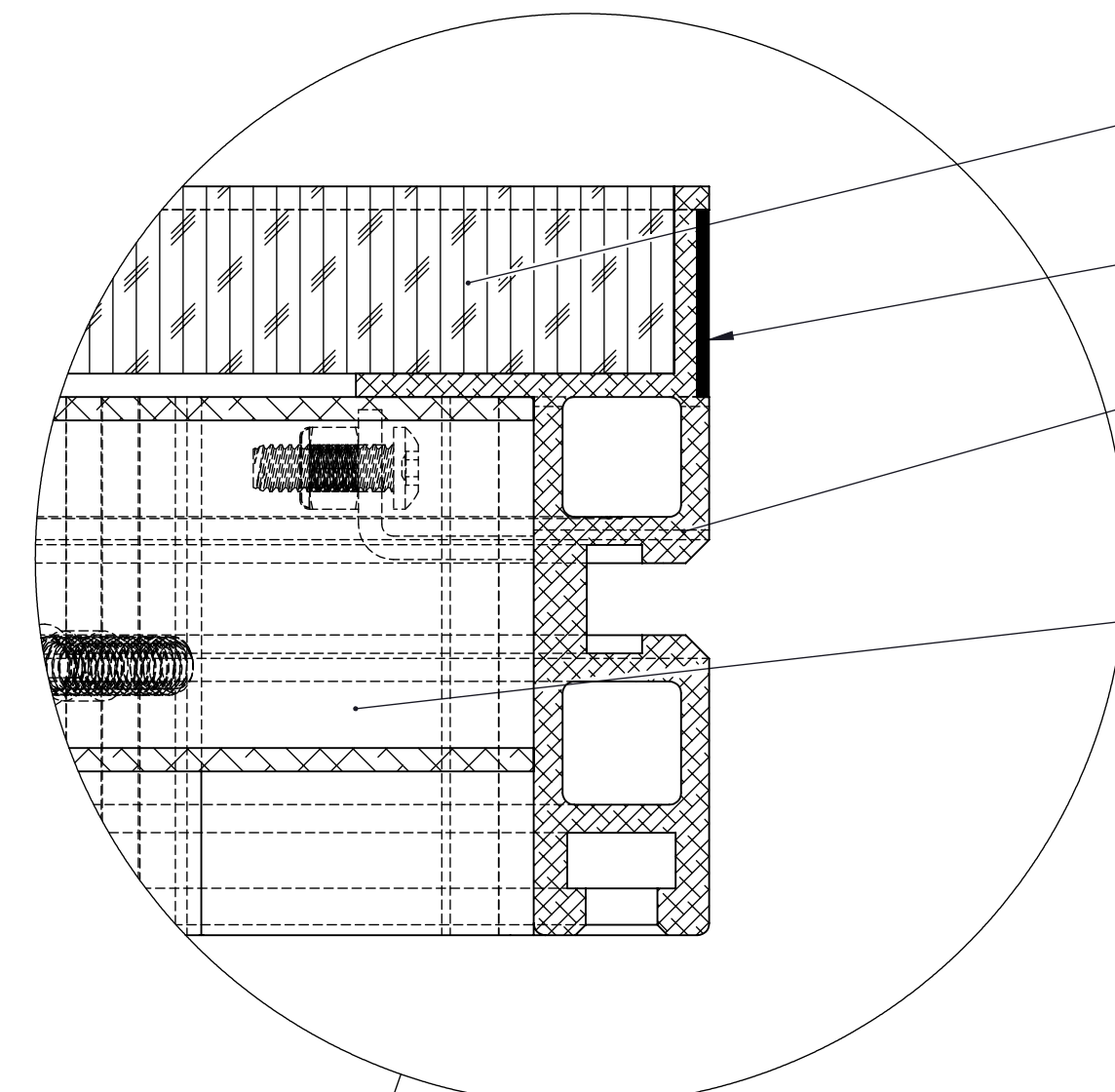


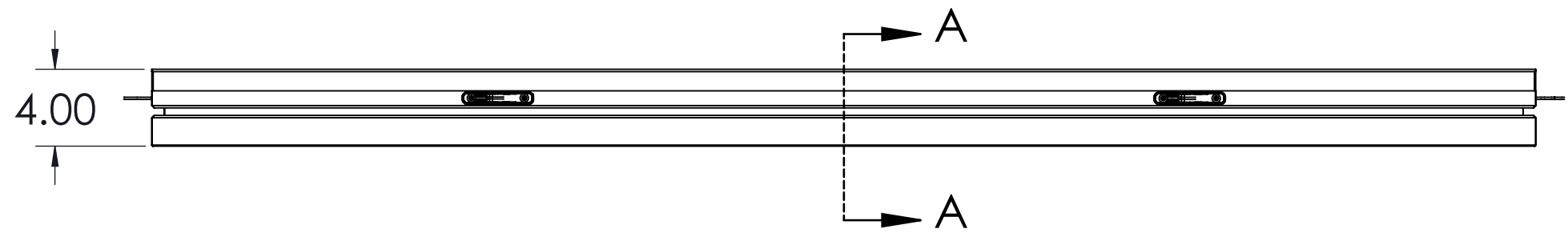
COFFIN LOCK  
4 MALE - 4 FEMALE  
8PL.



DETAIL C  
SCALE 1 : 1



DETAIL B  
SCALE 1 : 1



SECTION A-A  
SCALE 1 : 8

NOTES: UNLESS OTHERWISE SPECIFIED

PROJECT NAME: 4' x 6' G-DECK	DATE: 02/13/2014
DRAWING TITLE: 4' X 6' G-DECK	REV: X2
PROJECT NUMBER:	SCALE: 1 TO 8 ON 11 X 17 PAGE

GALLAGHER STAGING & PRODUCTIONS  
15701 HERON AVE  
LA MIRADA, CA 90638

