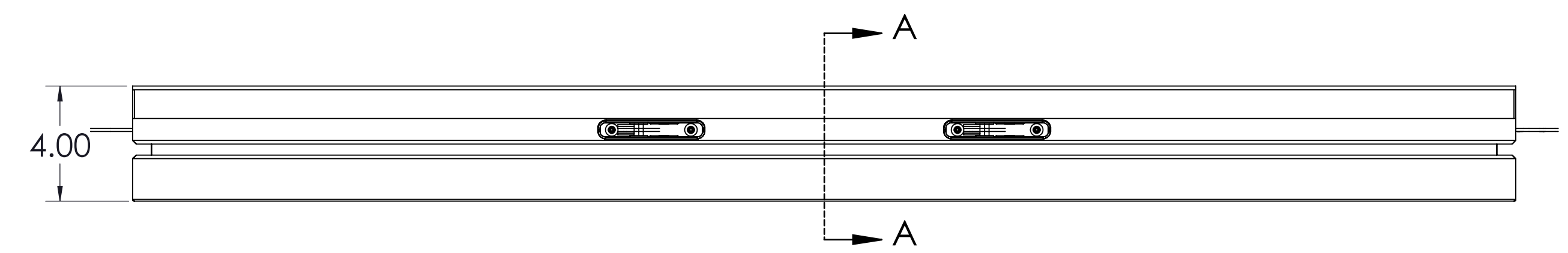


4'-0"
48.00

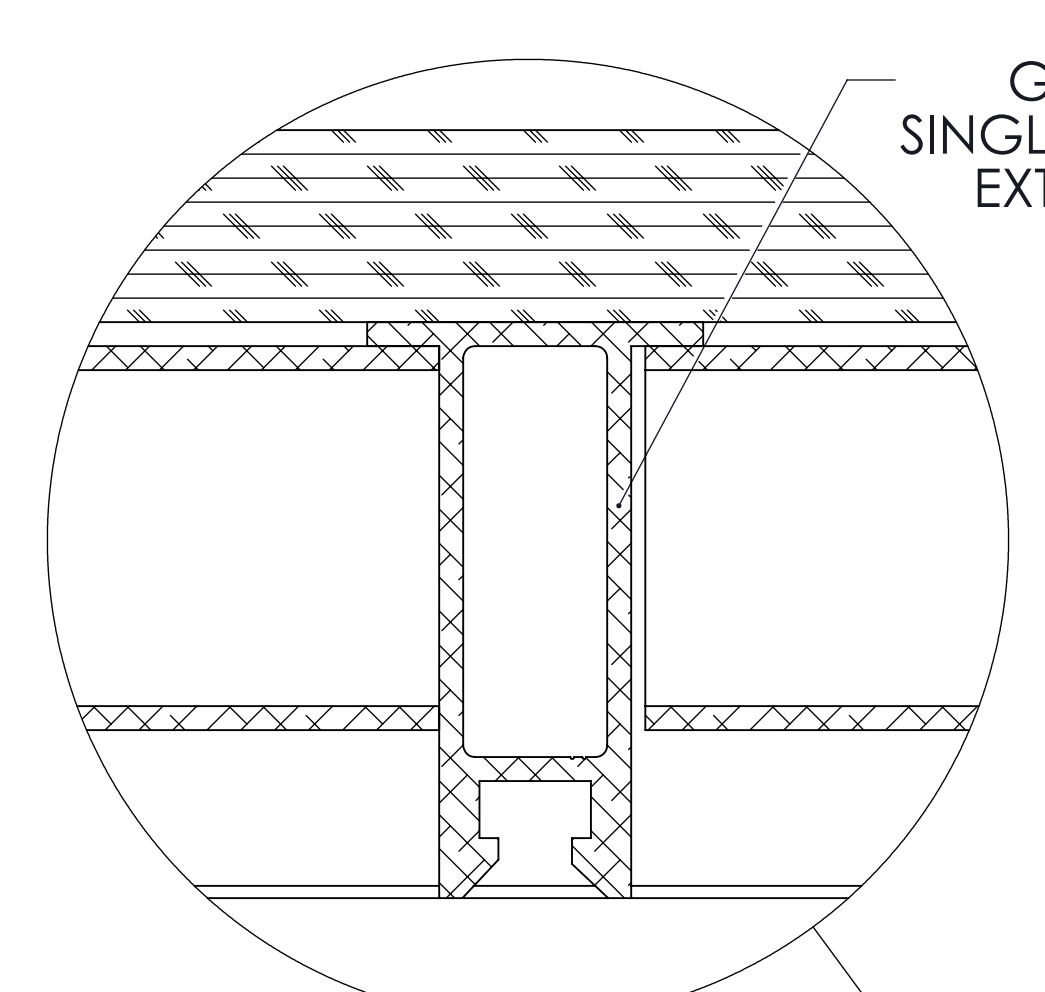
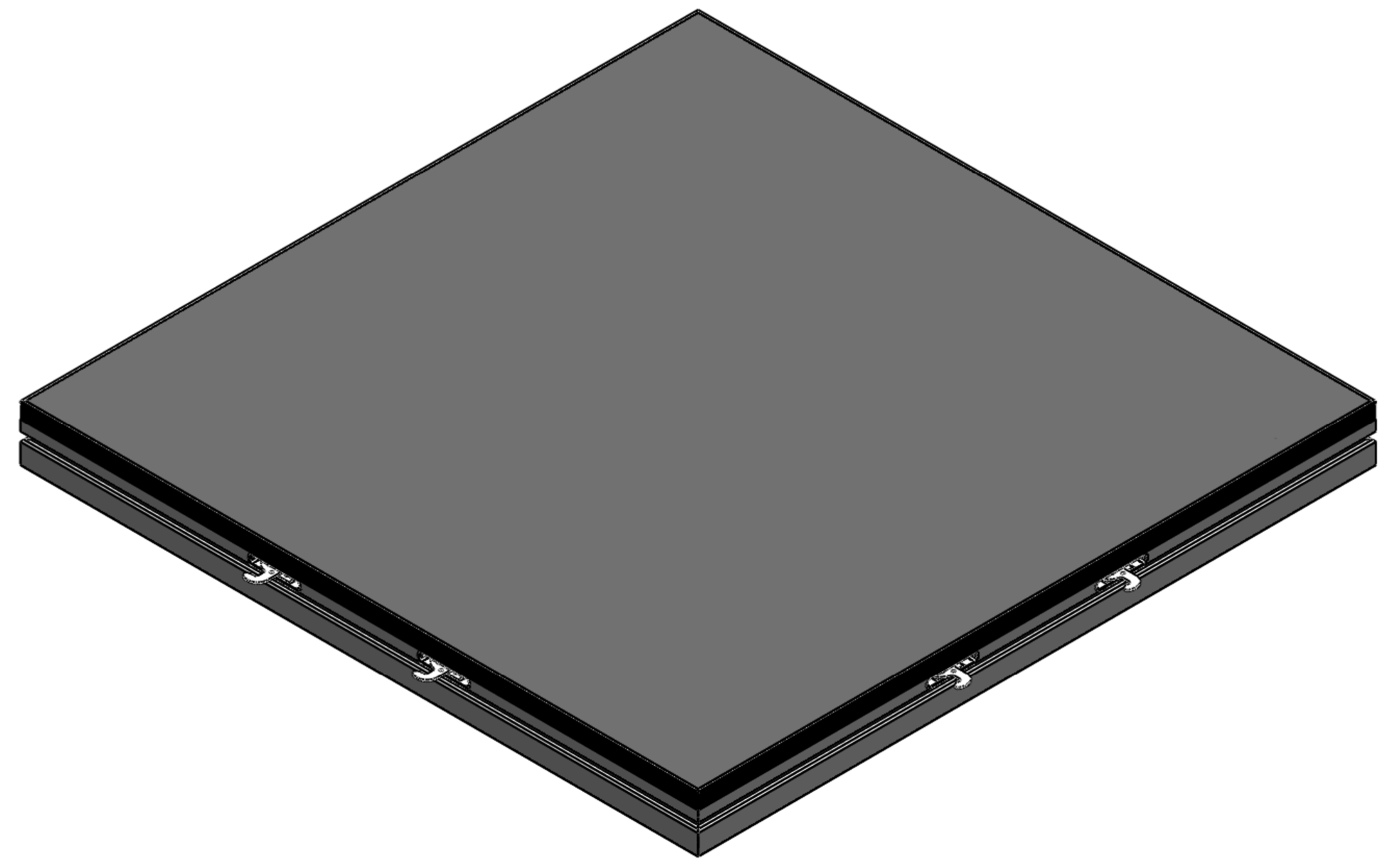
4'-0"
48.00

COFFIN LOCK
4 MALE - 4 FEMALE
8PL.



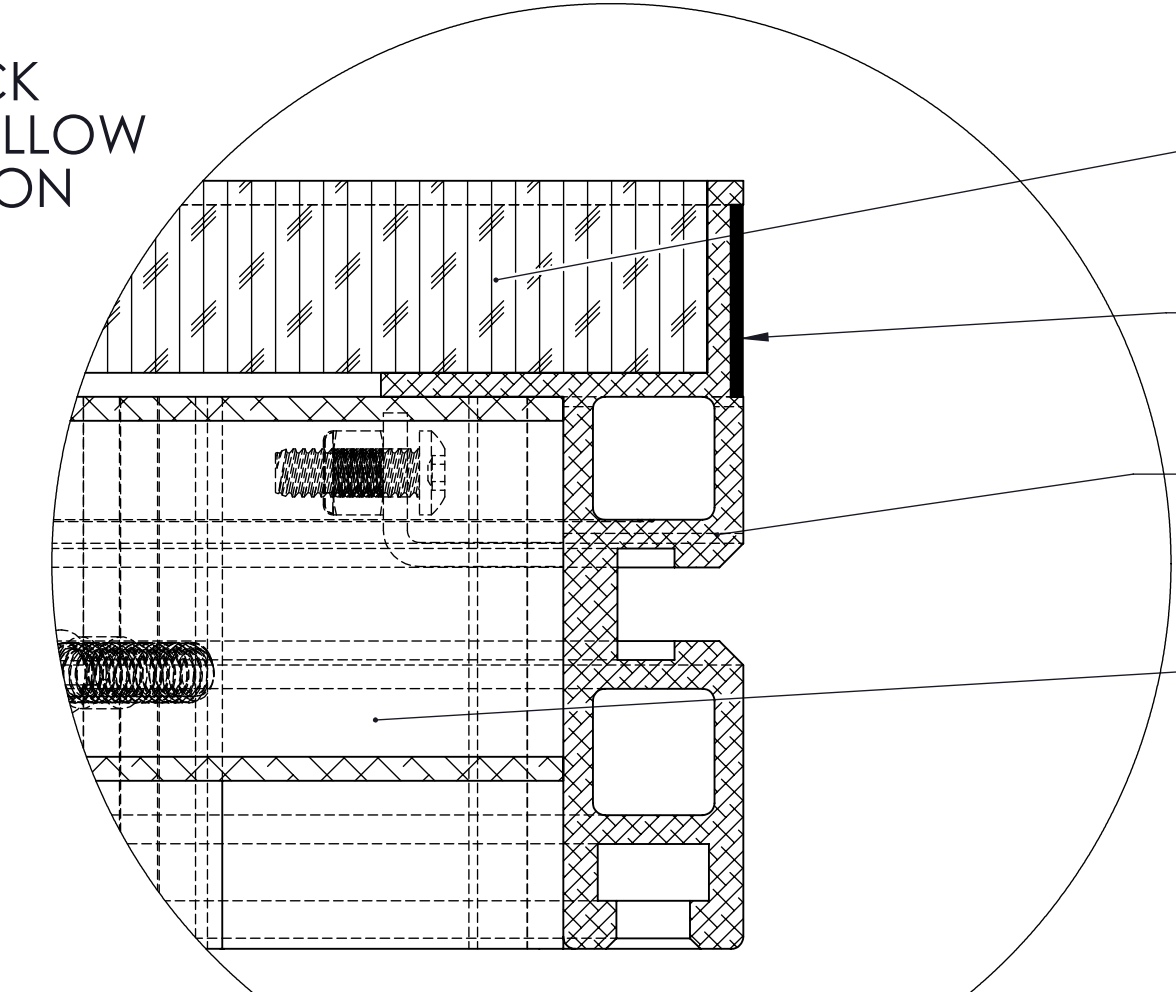
4.00

A
A



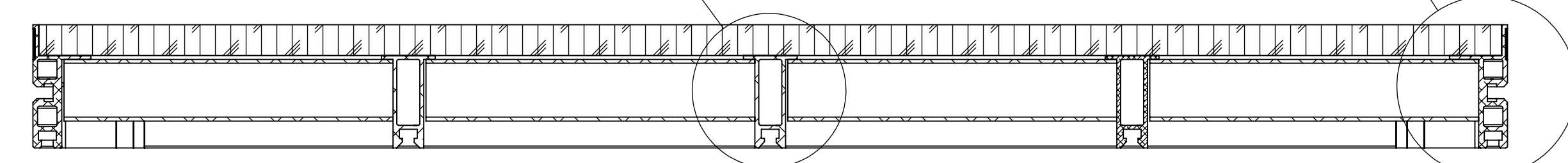
DETAIL C
SCALE 1 : 1

G-DECK
SINGLE HOLLOW
EXTRUSION



DETAIL B
SCALE 1 : 1

1" PLYWOOD
1/16" VELCRO
G-DECK PROFILE
EXTRUSION
PIPE POCKET
6PL.



SECTION A-A
SCALE 1 : 4

NOTES: UNLESS OTHERWISE SPECIFIED

PROJECT NAME: 4' x 4' G-DECK	DATE: 02/13/2014
DRAWING TITLE: 4' X 4' G-DECK	REV: X2
PROJECT NUMBER:	SCALE: 1 TO 4 ON 11 X 17 PAGE

GALLAGHER STAGING & PRODUCTIONS
15701 HERON AVE
LA MIRADA, CA 90638

