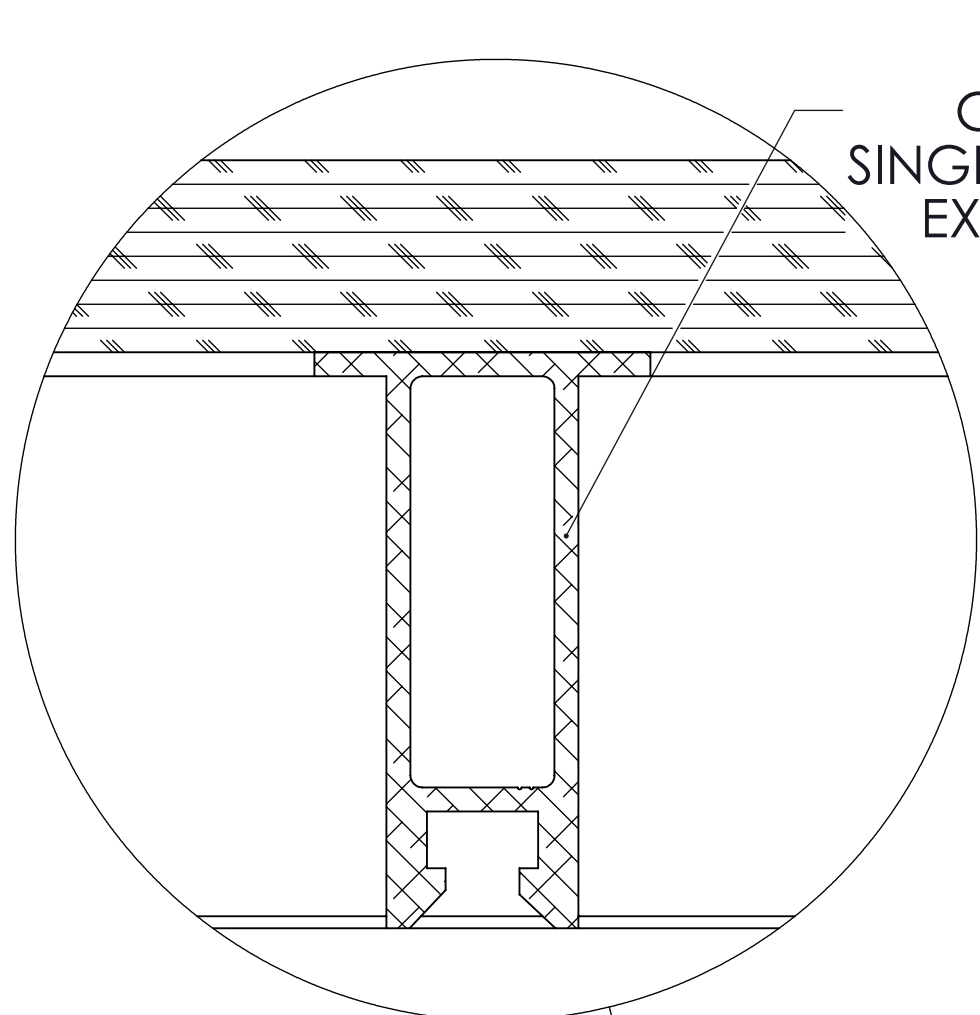


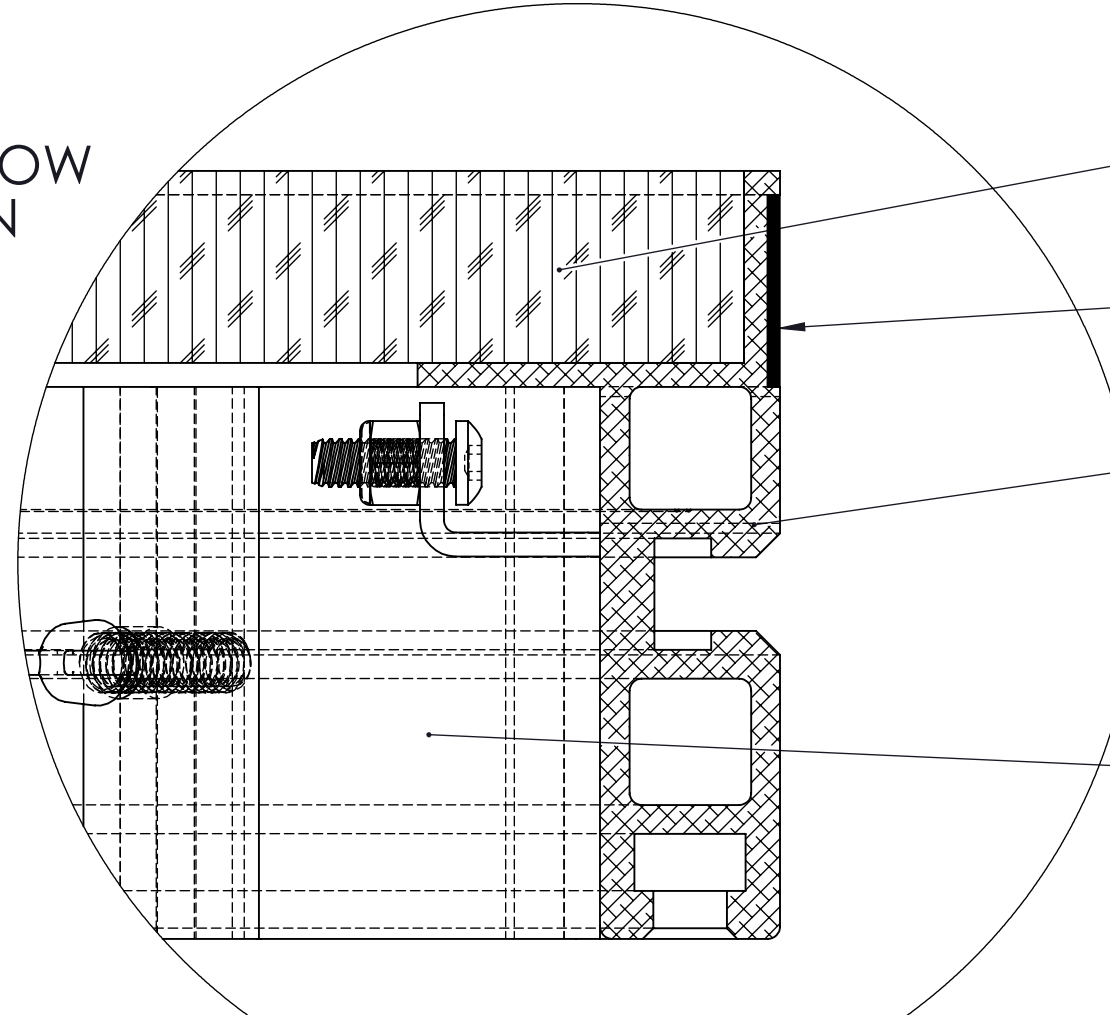
[3'-6"]
42.00

[4'-0"]
48.00

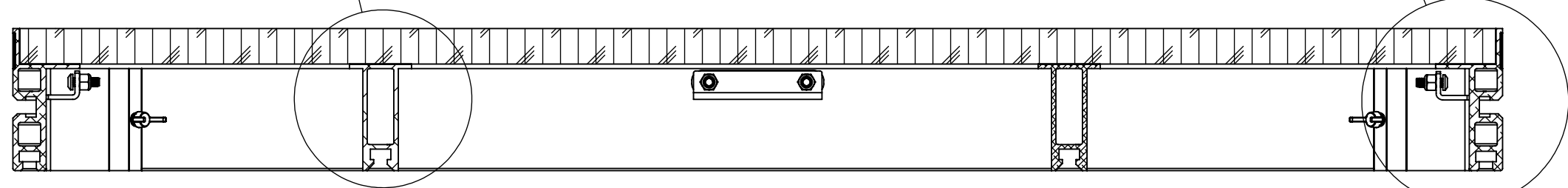
COFFIN LOCK
3 MALE - 3 FEMALE
6PL.



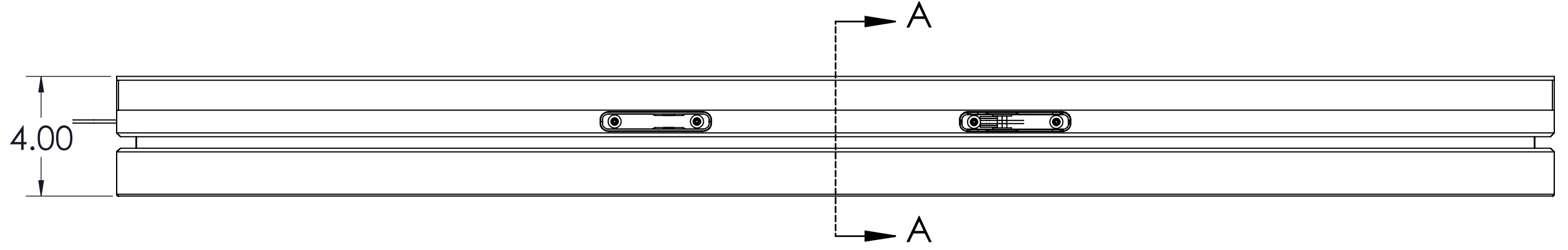
DETAIL C
SCALE 1 : 1



DETAIL B
SCALE 1 : 1



SECTION A-A
SCALE 1 : 4



NOTES: UNLESS OTHERWISE SPECIFIED

DATE: 03/27/15	PROJECT NAME: 4' x 42IN G-DECK
REVISION: V1	DRAWING TITLE: 4' X 42IN G-DECK
SCALE: 1 TO 4 ON 11 X 17 PAGE	PROJECT NUMBER:
	DRAWN BY:

GALLAGHER STAGING & PRODUCTIONS
15701 HERON AVE
LA MIRADA, CA 90638

