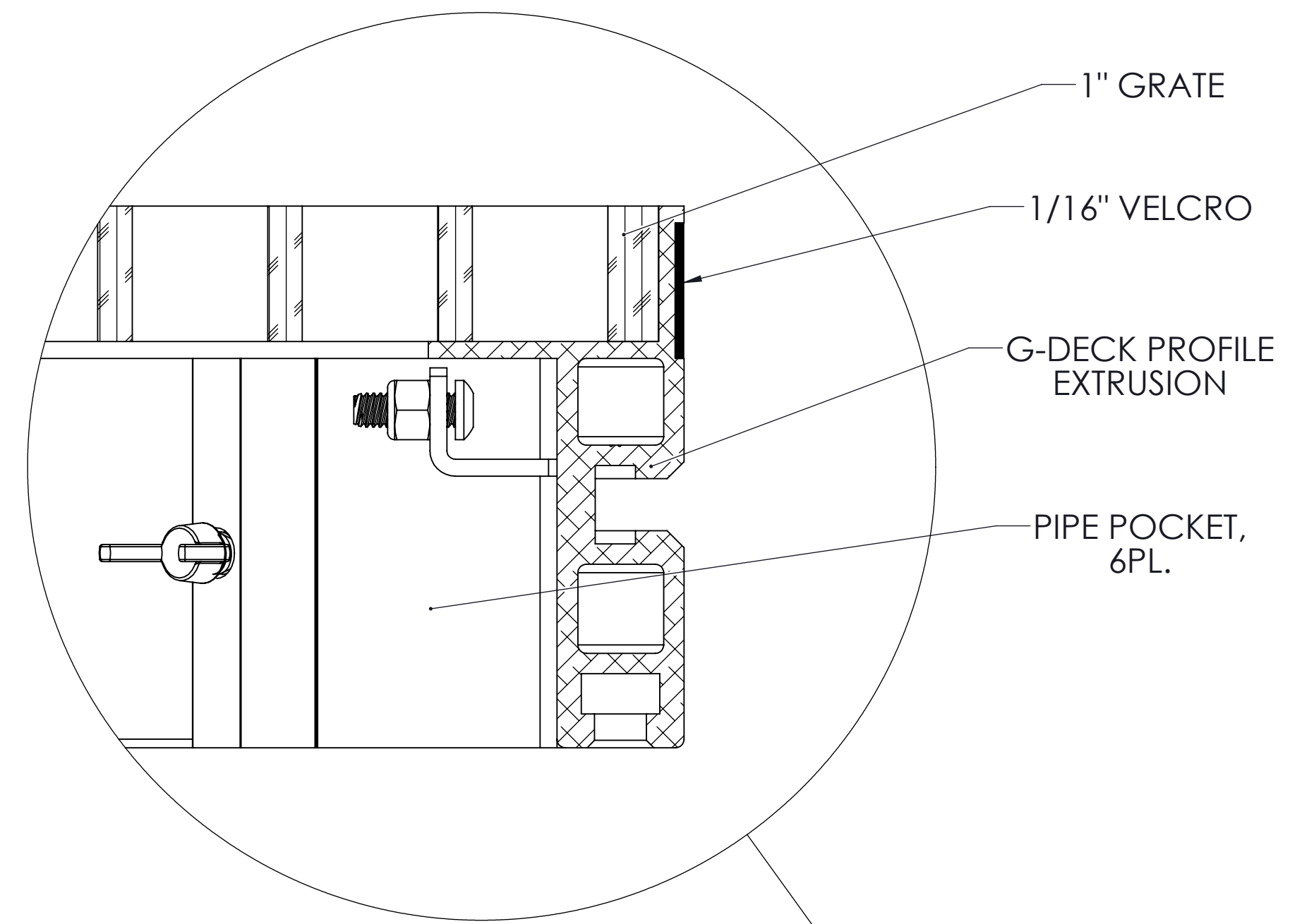
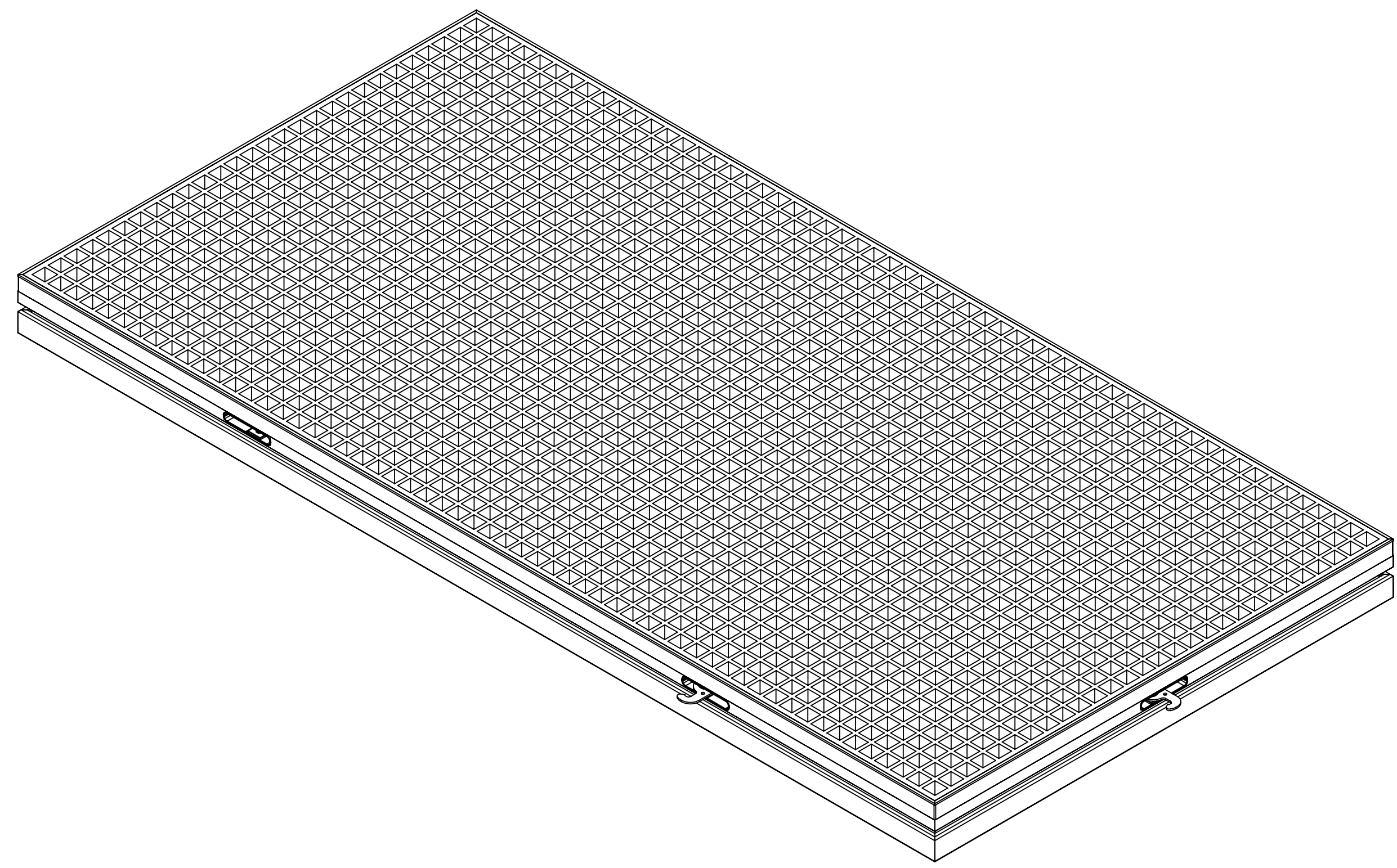
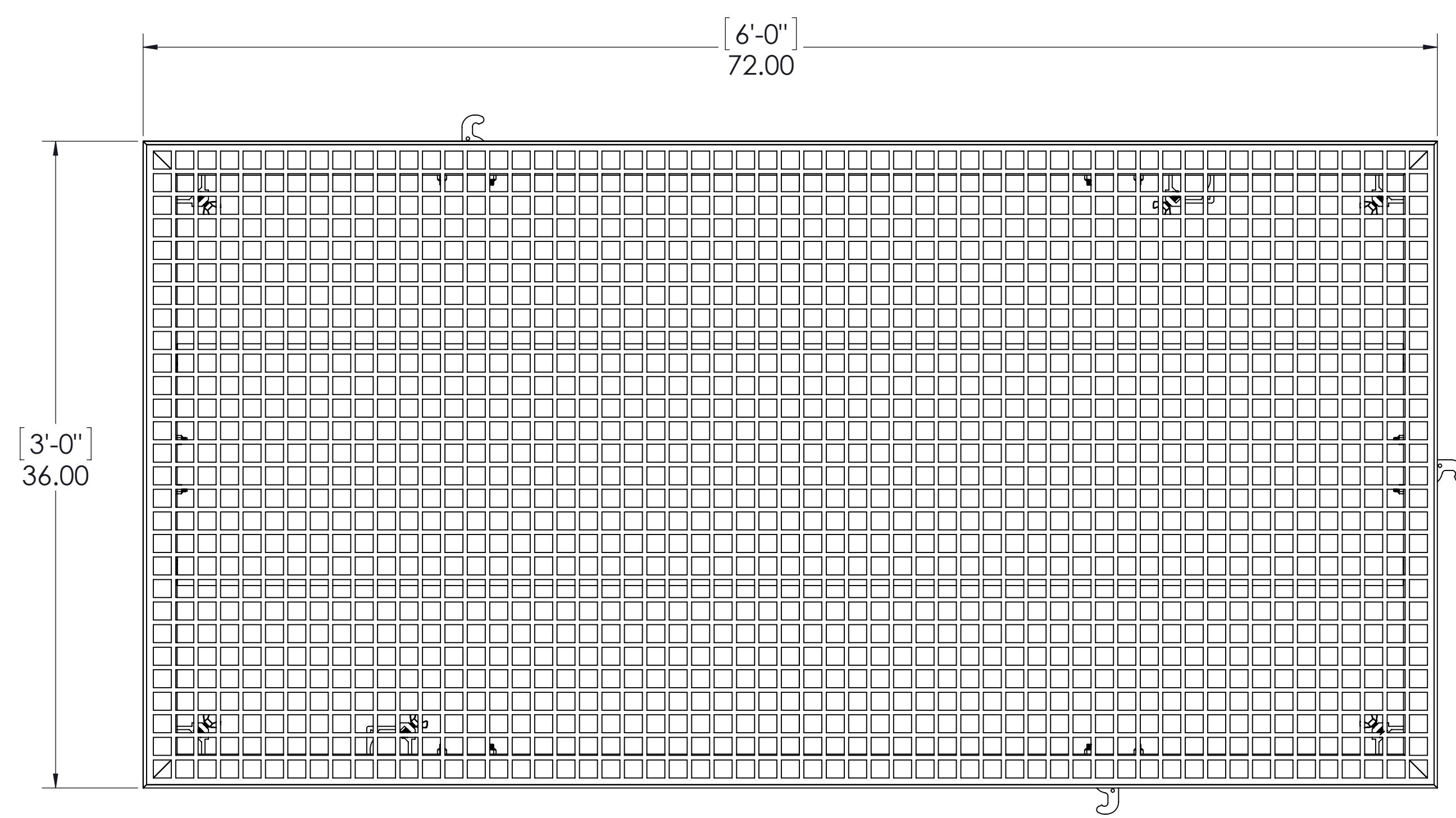
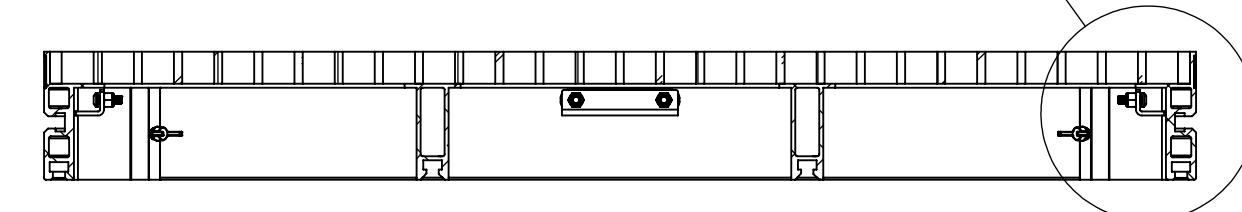
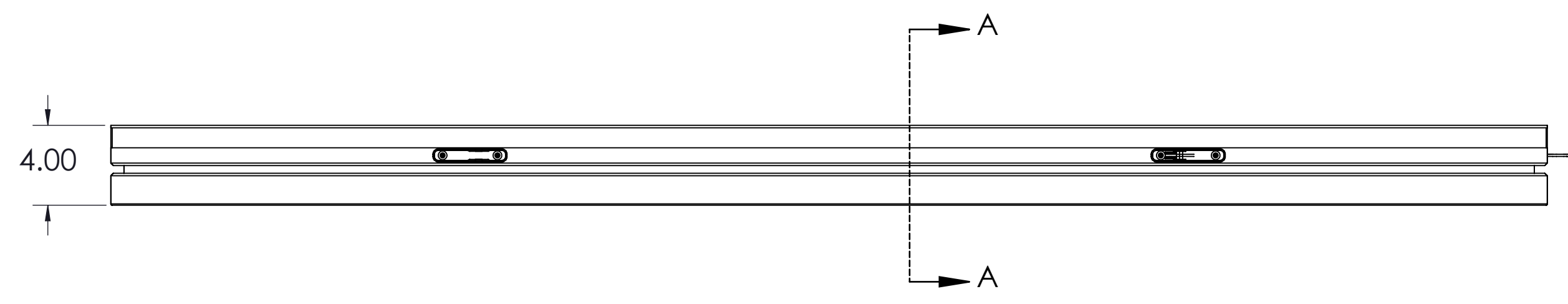


8 7 6 5 4 3 2 1



DETAIL B
SCALE 1 : 1



SECTION A-A
SCALE 1 : 6

NOTES: UNLESS OTHERWISE SPECIFIED

8 7 6 5 4 3 2 1

PROJECT NAME: 3' X 6' GRATED DECK	DATE: 03/28/2015
DRAWING TITLE: 3' X 6' GRATED DECK	REVISION: V1
PROJECT NUMBER:	SCALE: 1 TO 6
DRAWN BY:	ON 11 X 17 PAGE

GALLAGHER STAGING & PRODUCTIONS
15701 HERON AVE
LA MIRADA, CA 90638



D

C

B

A