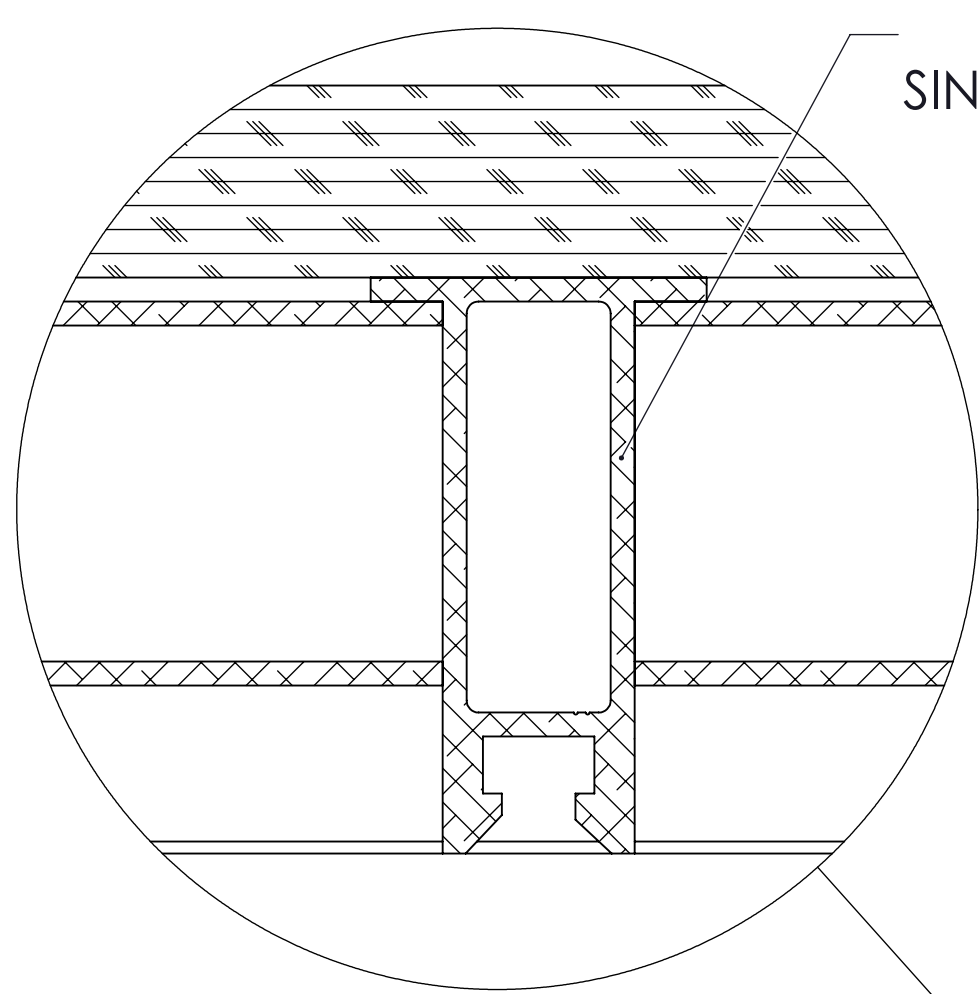
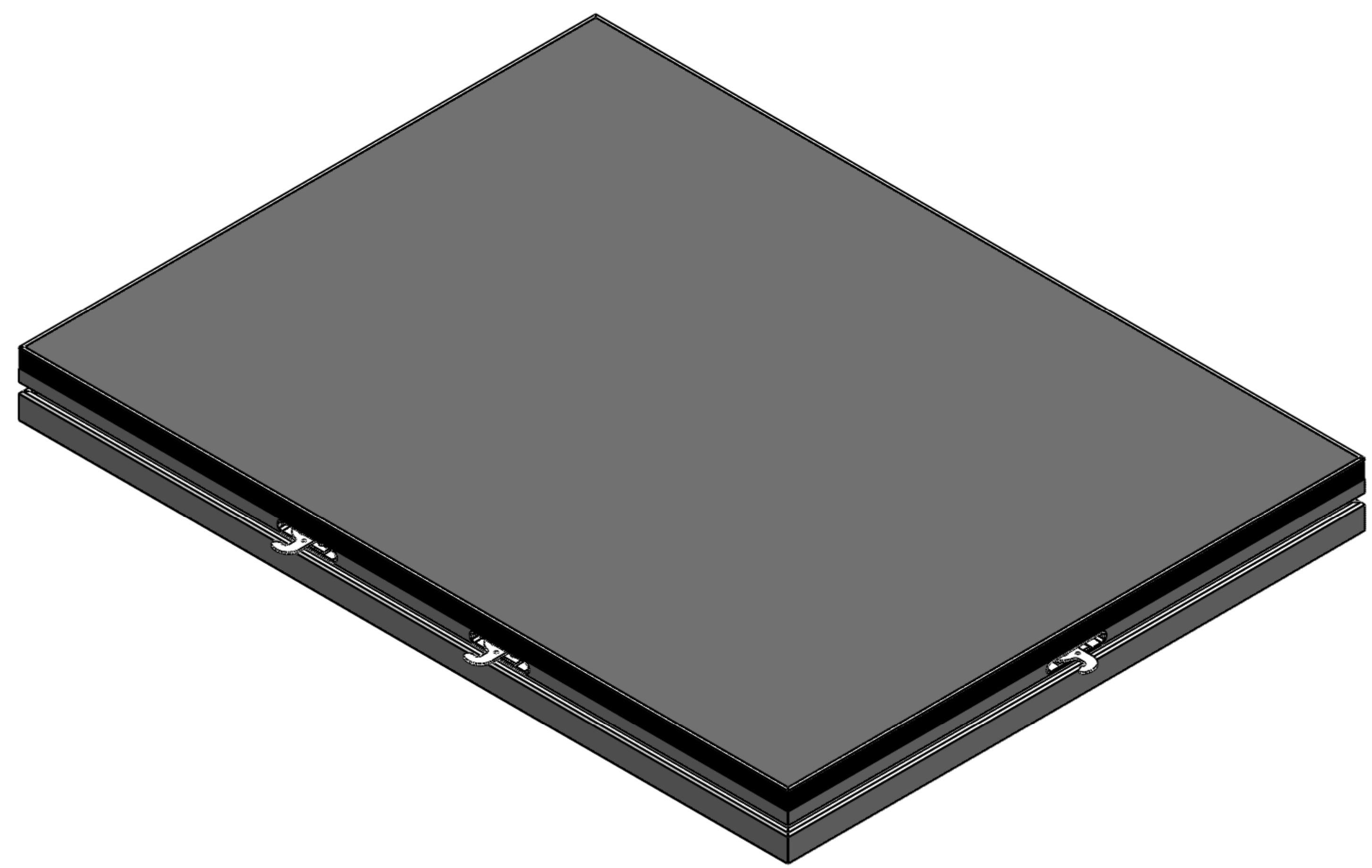
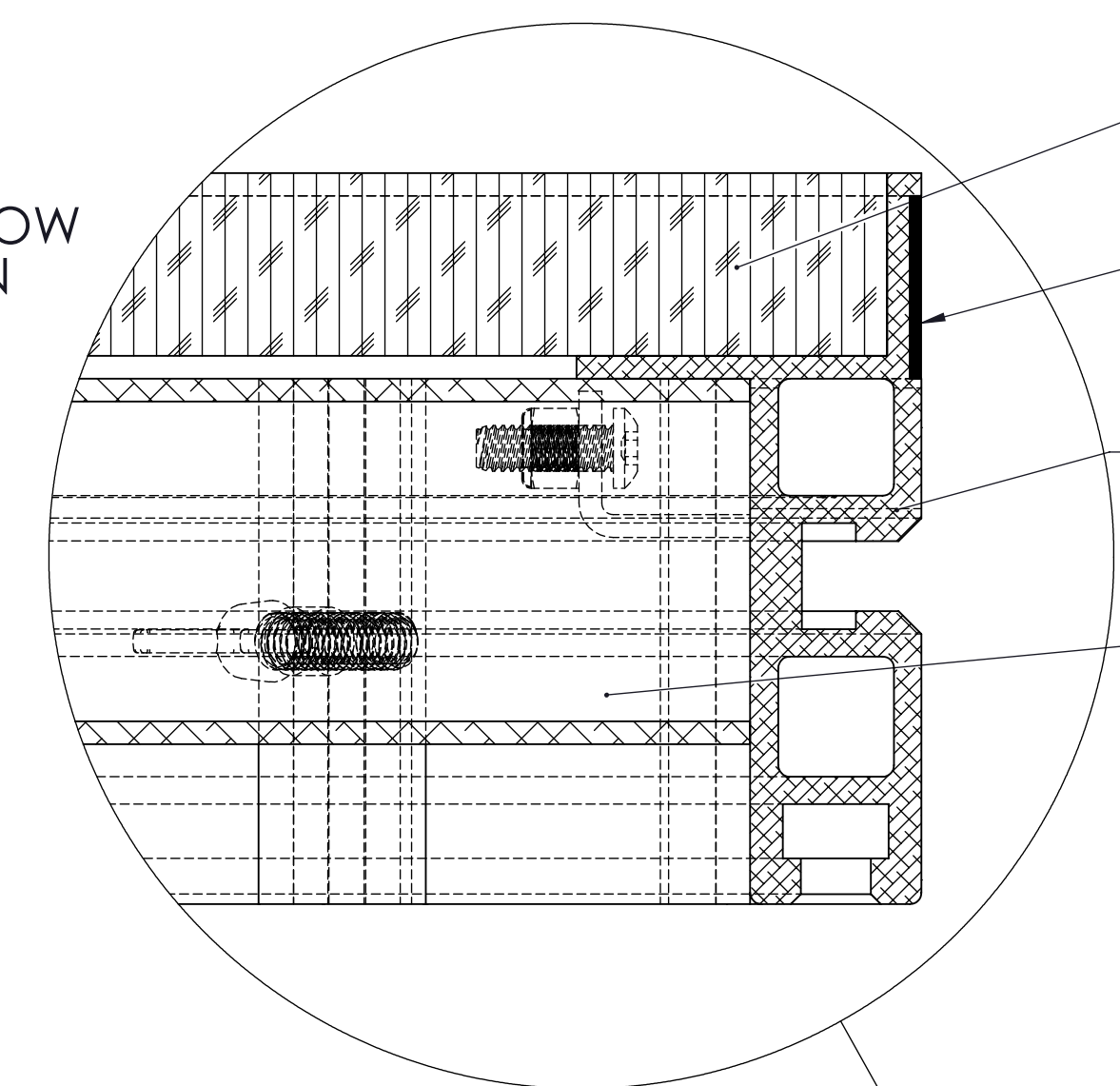


COFFIN LOCK
3 MALE - 3 FEMALE
6PL.



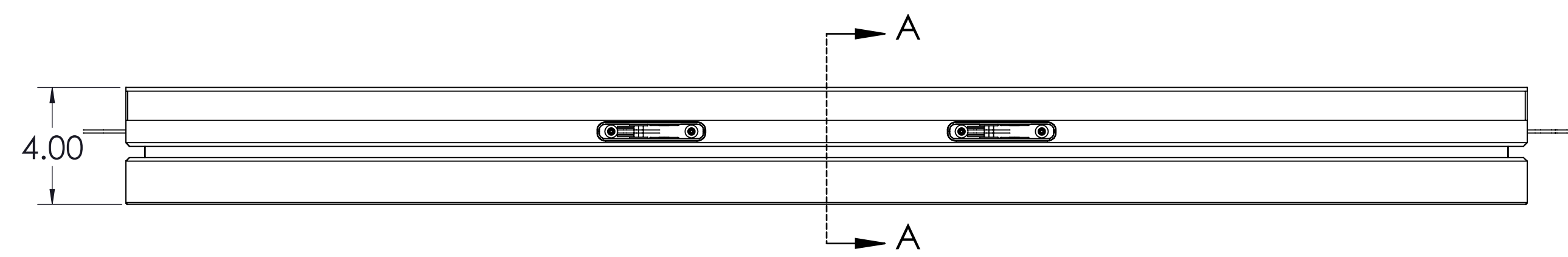
G-DECK
SINGLE HOLLOW
EXTRUSION

DETAIL C
SCALE 1 : 1



1" PLYWOOD
1/16" VELCRO
G-DECK PROFILE
EXTRUSION
PIPE POCKET
6PL.

DETAIL B
SCALE 1 : 1



SECTION A-A
SCALE 1 : 4

NOTES: UNLESS OTHERWISE SPECIFIED

PROJECT NAME: 3' x 4' G-DECK

DRAWING TITLE: 3' X 4' G-DECK

PROJECT NUMBER:

DATE: 02/13/2014

REV: X2

SCALE: 1 TO 4
ON 11 X 17 PAGE

GALLAGHER STAGING & PRODUCTIONS
15701 HERON AVE
LA MIRADA, CA 90638

