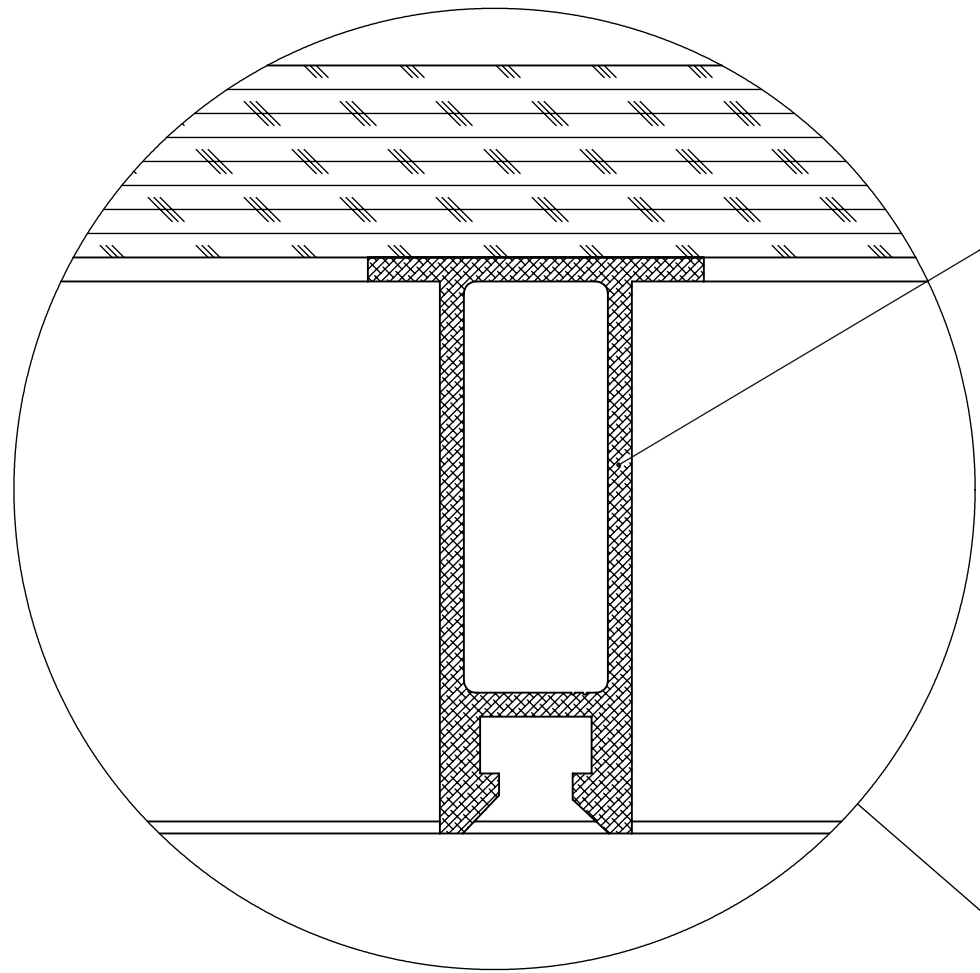
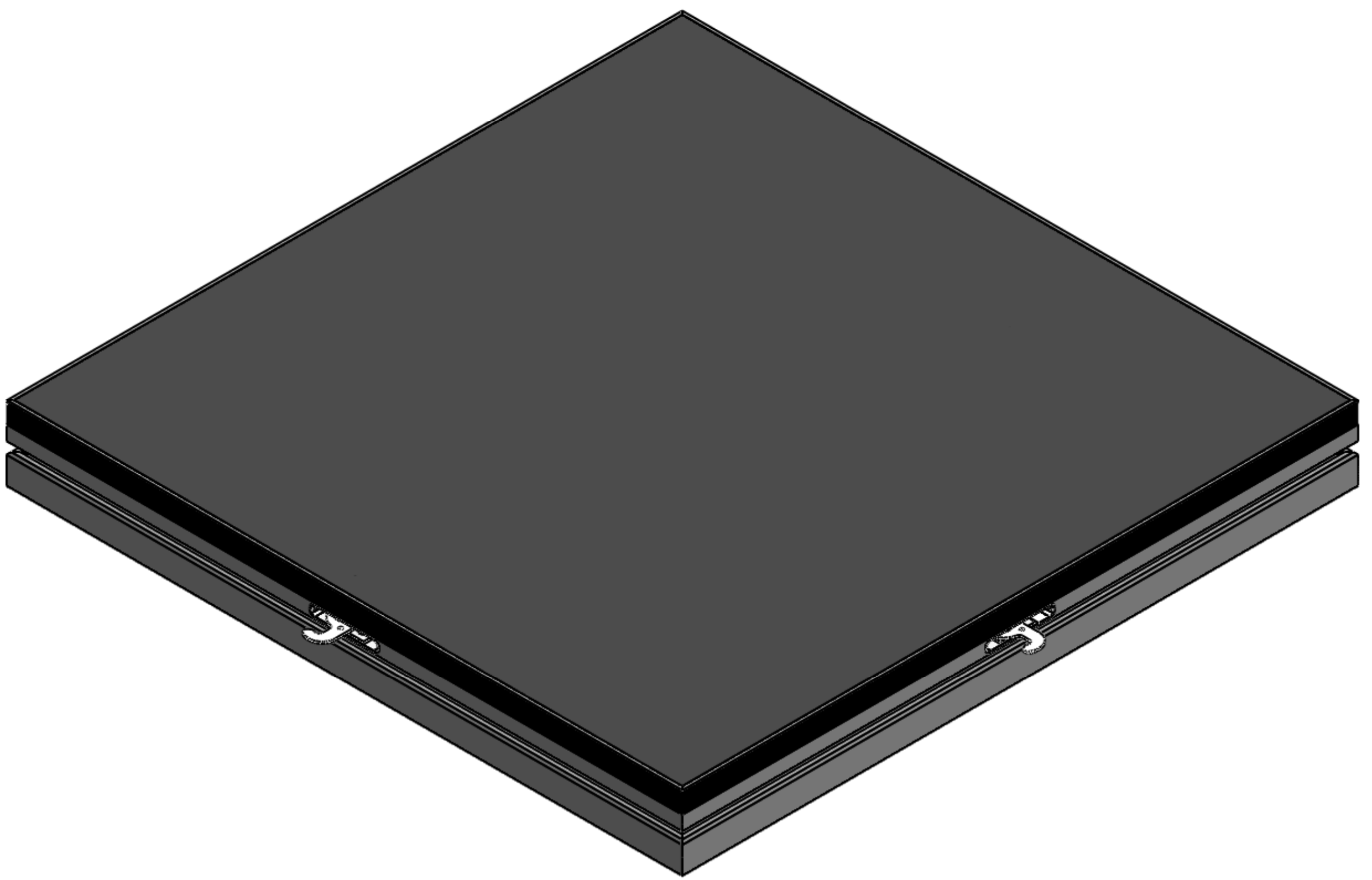
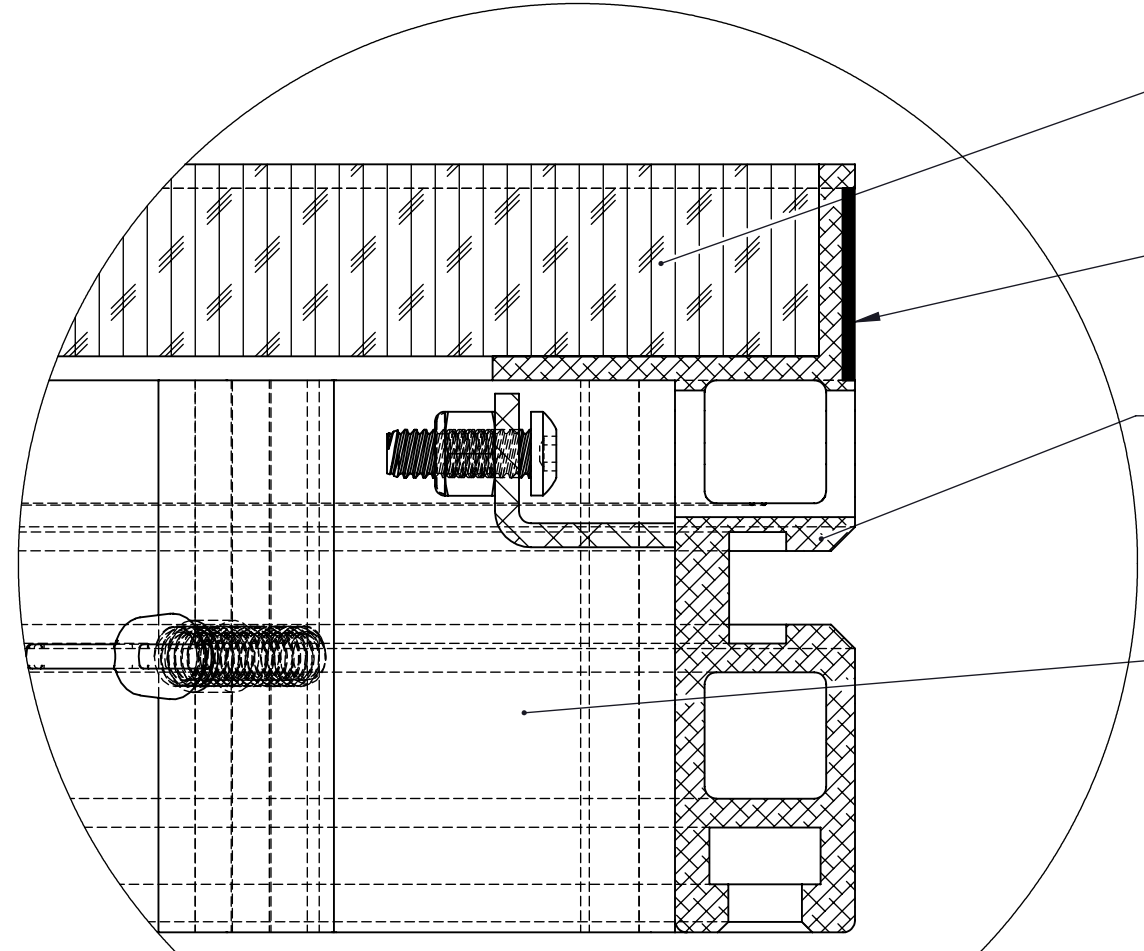


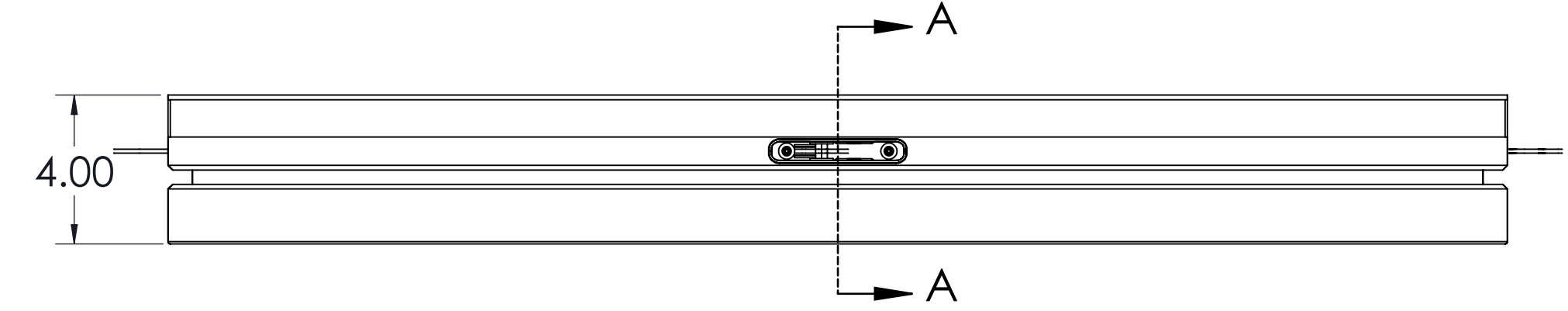
COFFIN LOCK
2 MALE - 2 FEMALE
4PL.



G-DECK
SINGLE HOLLOW
EXTRUSION



1" PLYWOOD
1/16" VELCRO
G-DECK PROFILE
EXTRUSION
PIPE POCKET
6PL.



SECTION A-A
SCALE 1 : 4

NOTES: UNLESS OTHERWISE SPECIFIED

PROJECT NAME: 3' x 3' G-DECK	DATE: 02/13/2014
DRAWING TITLE: 3' X 3' G-DECK	REV: X2
PROJECT NUMBER:	SCALE: 1 TO 4 ON 11 X 17 PAGE

GALLAGHER STAGING & PRODUCTIONS
15701 HERON AVE
LA MIRADA, CA 90638

