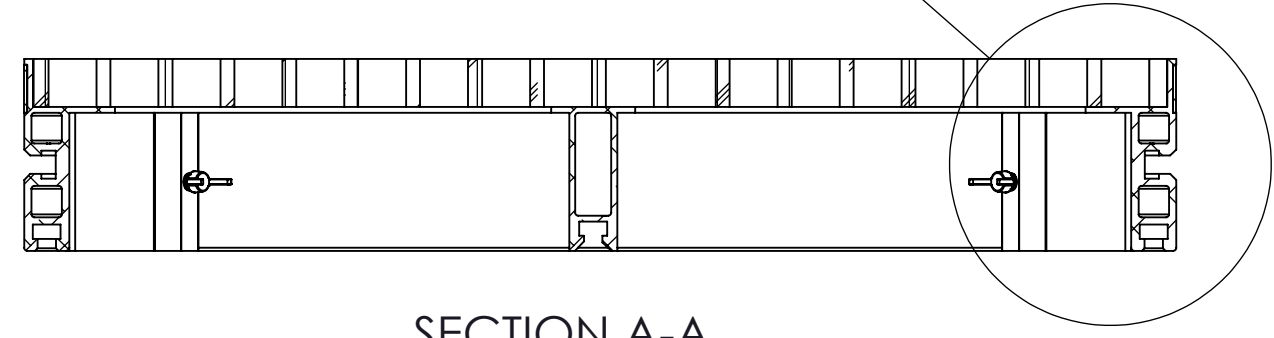
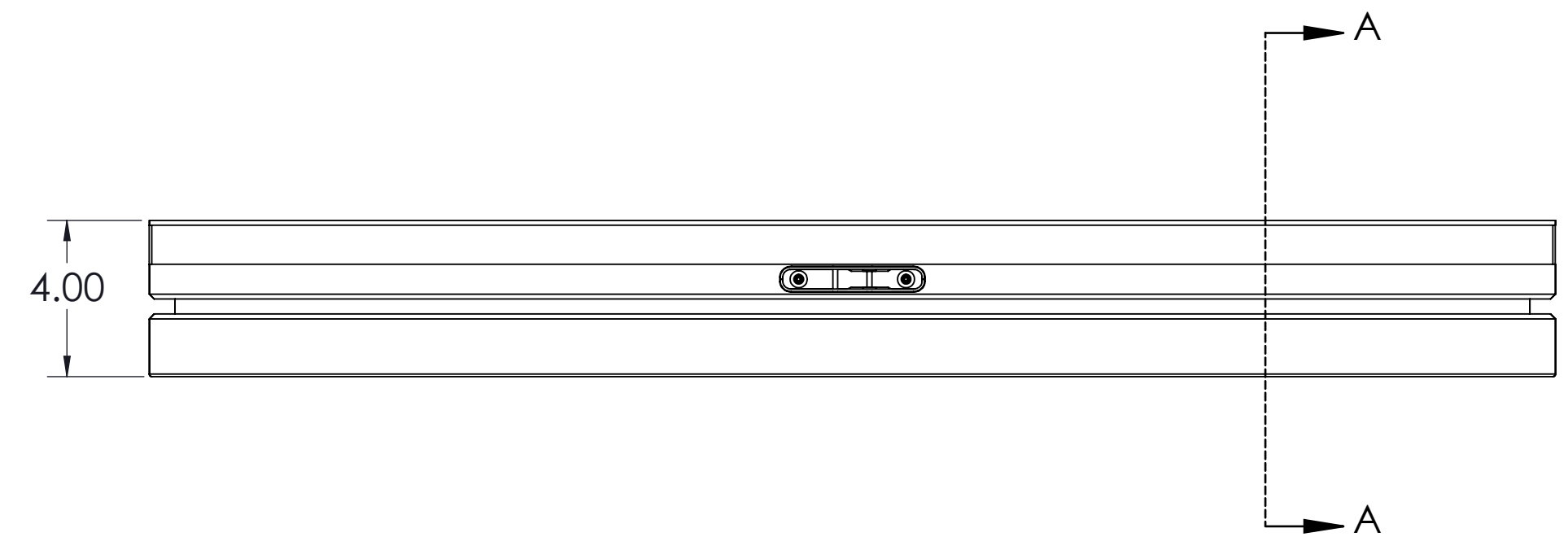


DETAIL B  
SCALE 1 : 1



SECTION A-A  
SCALE 1 : 4

NOTES: UNLESS OTHERWISE SPECIFIED

PROJECT NAME: 2' X 3' GRATED DECK	DATE: 03/28/2015
DRAWING TITLE: 2' X 3' GRATED DECK	REVISION: V1
PROJECT NUMBER:	SCALE: 1 TO 4
DRAWN BY:	ON 11 X 17 PAGE

GALLAGHER STAGING & PRODUCTIONS  
15701 HERON AVE  
LA MIRADA, CA 90638

