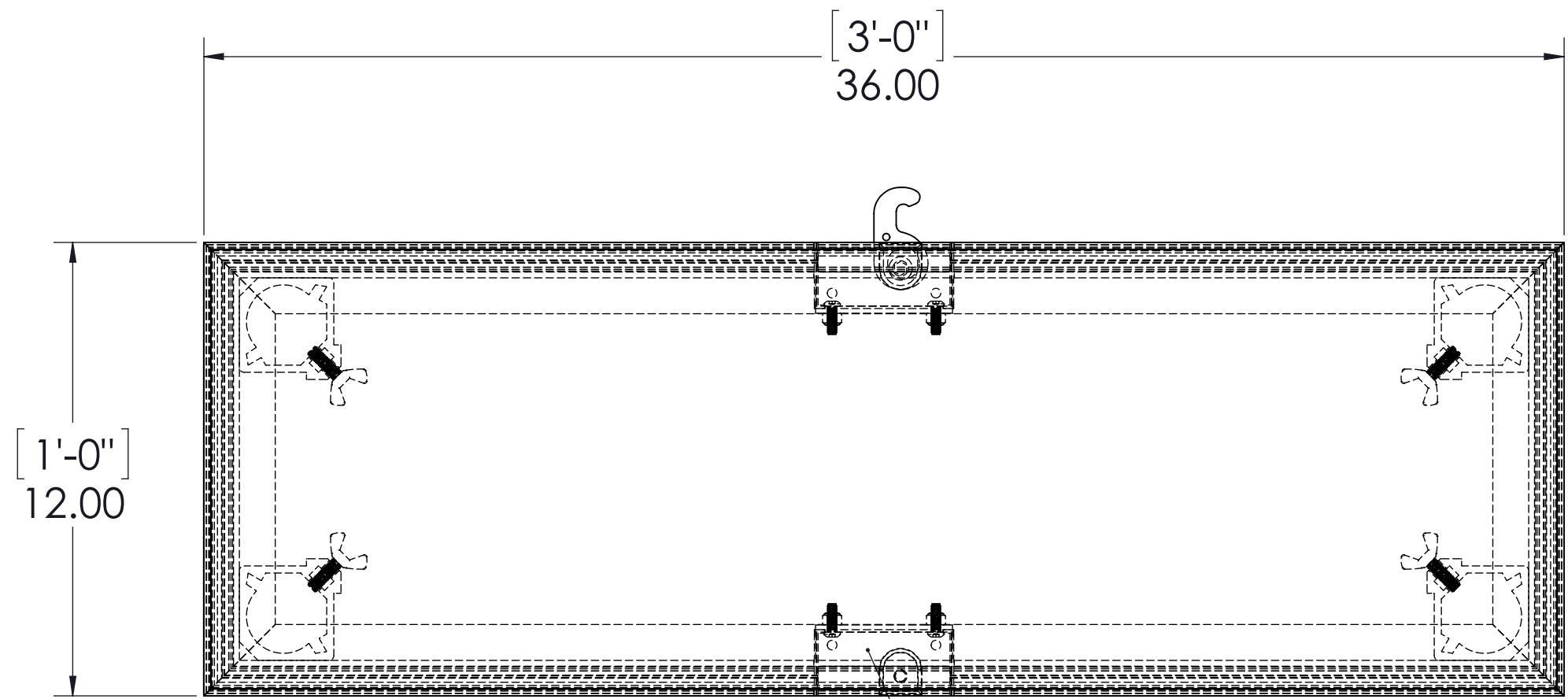
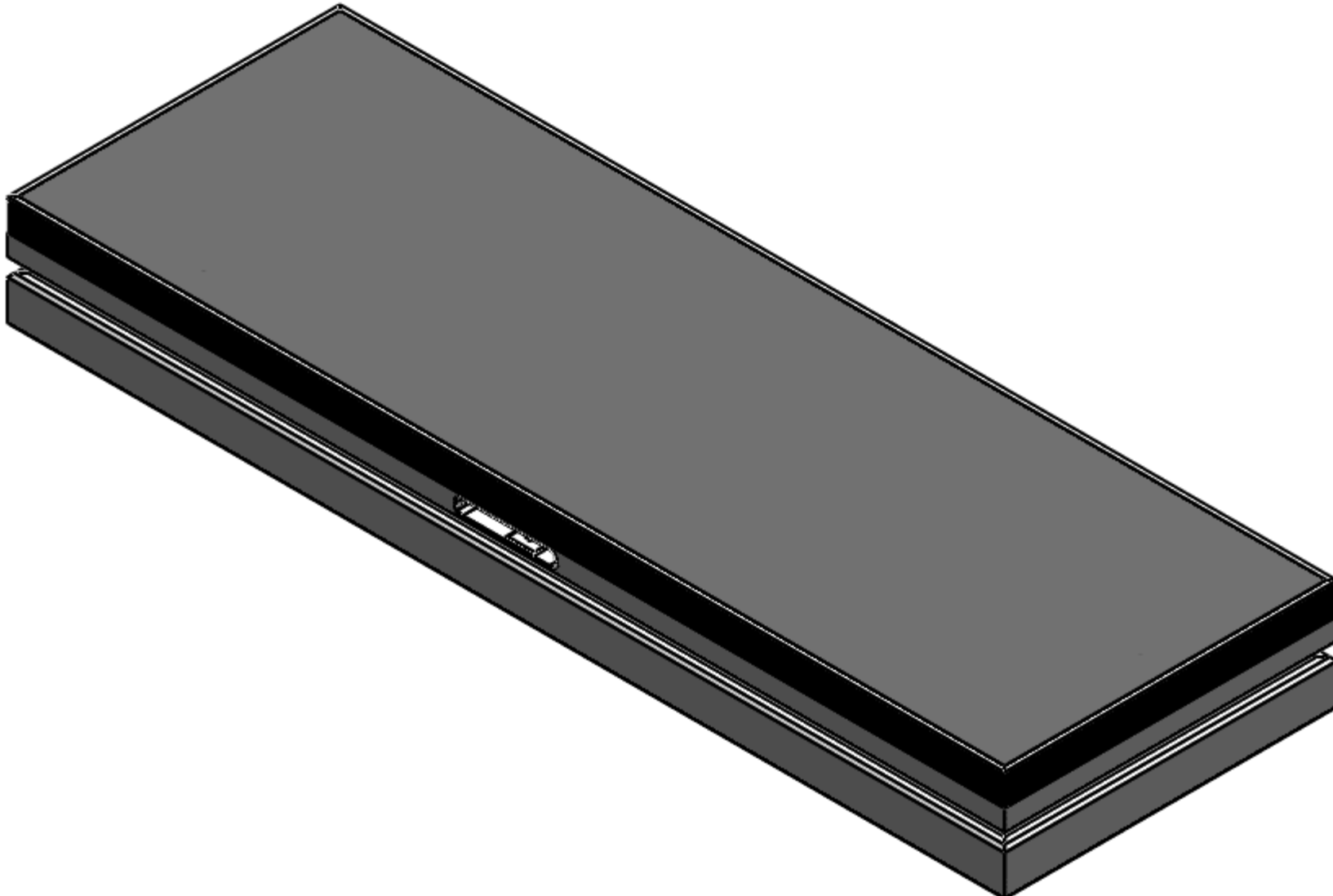
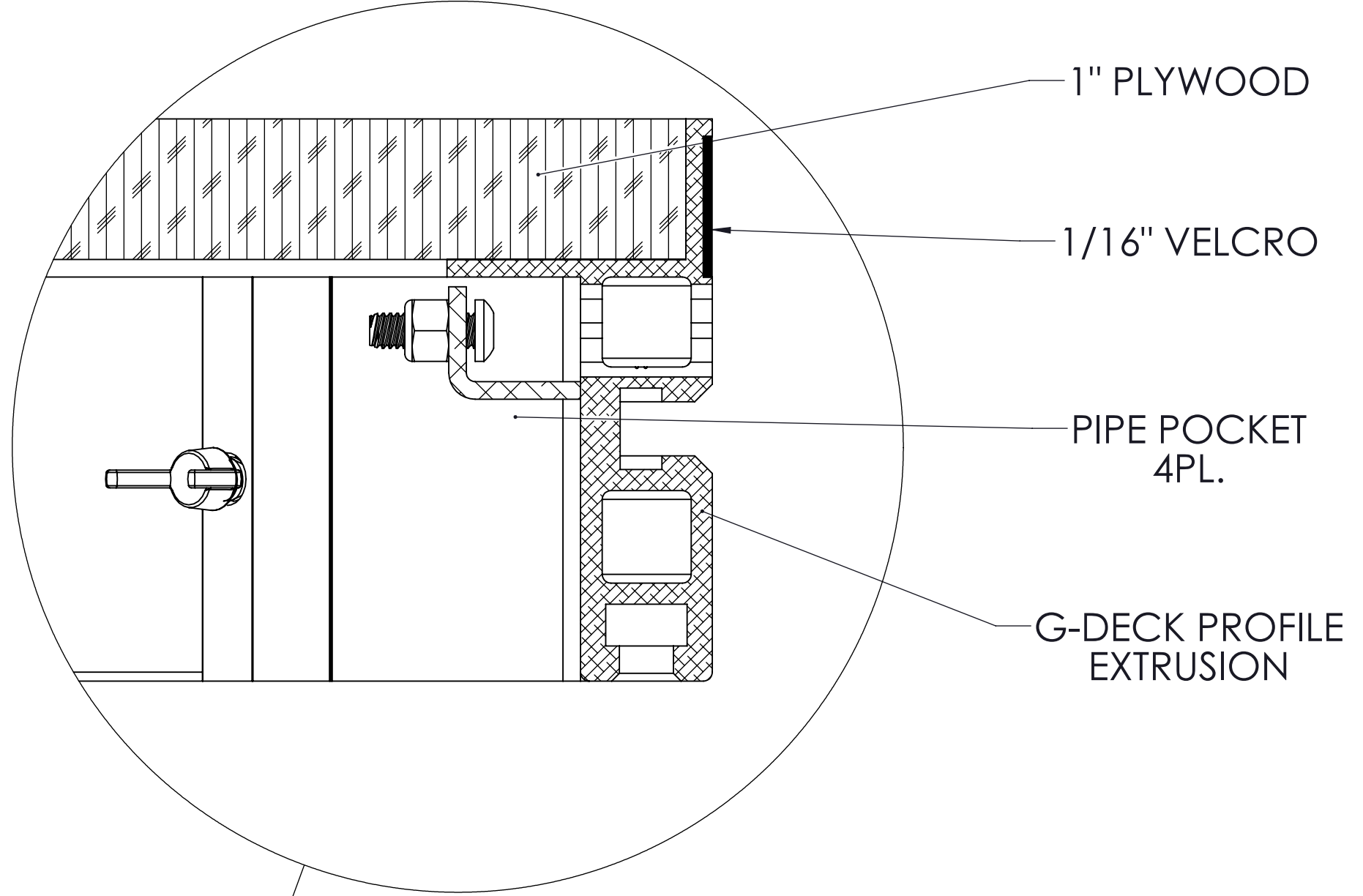


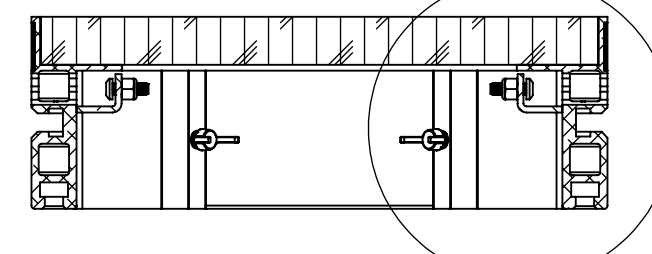
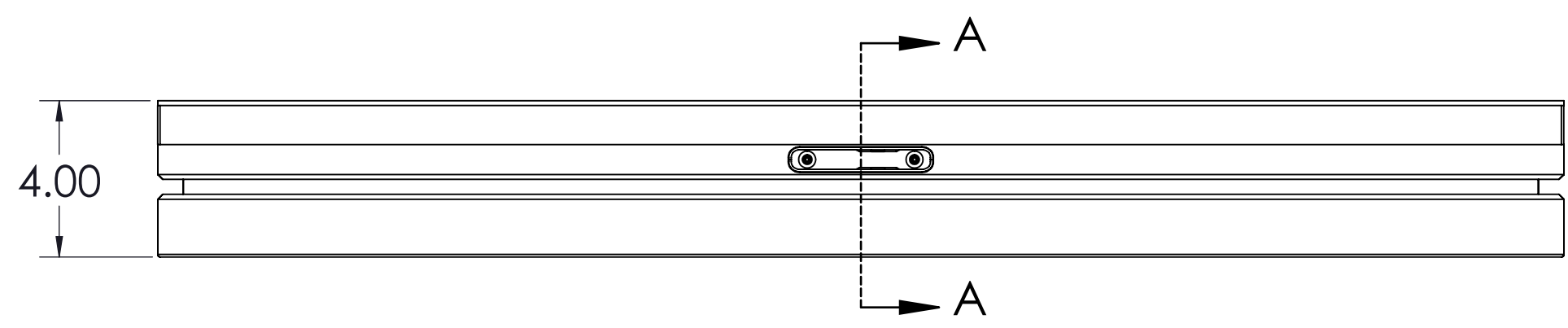
8 7 6 5 4 3 2 1



COFFIN LOCK
1 MALE - 1 FEMALE



DETAIL B
SCALE 1 : 1



SECTION A-A
SCALE 1 : 4

NOTES: UNLESS OTHERWISE SPECIFIED

8 7 6 5 4 3 2 1

| | |
|-------------------------------|-----------------|
| PROJECT NAME: 1' x 3' G-DECK | DATE: 03/27/15 |
| DRAWING TITLE: 1' X 3' G-DECK | REVISION: V1 |
| PROJECT NUMBER: | SCALE: 1 TO 4 |
| DRAWN BY: | ON 11 X 17 PAGE |

GALLAGHER STAGING & PRODUCTIONS
 15701 HERON AVE
 LA MIRADA, CA 90638



D

C

A

B

A