

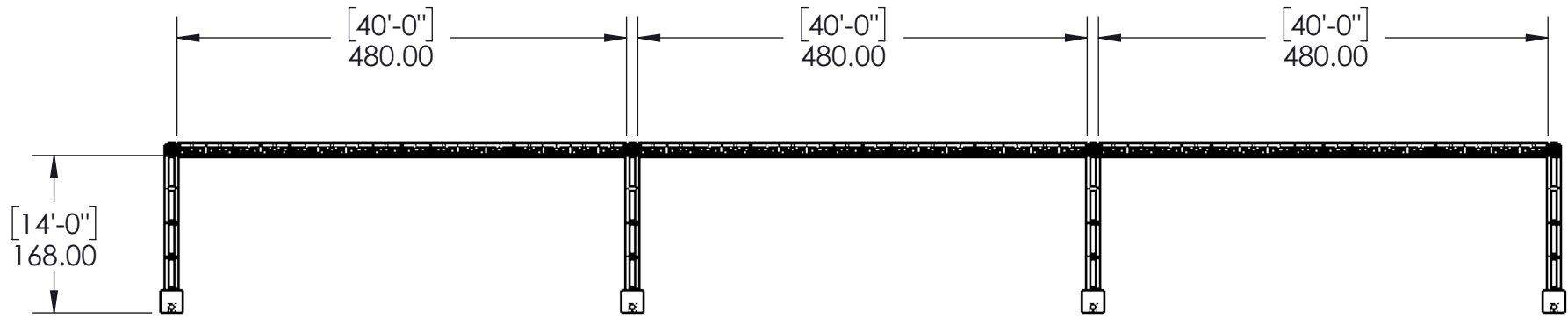
ITEM NO.	PART NUMBER	QTY.
1	COM-GS-GB MGBLOCK CD	8
2	SA-GS-12IN TR_6FT	16
3	SA-GS-12IN TR_10FT	36
4	SA-GS-CB 12in	8

Project Name: TRUSS GRID	Date: 5/10/2019
Drawing Name: TRUSS GRID	Scale: 1:180 @ 11in x 17in
Project Number: G19-XXXX	Rev Date: 5/10/2019
Drawn by: DAN PACE	Sheet: 1 of 3
Drawing Number: SA-GS-12IN TGRID 32FTD X 124FTW X 14FT T MIC	Rev: 1

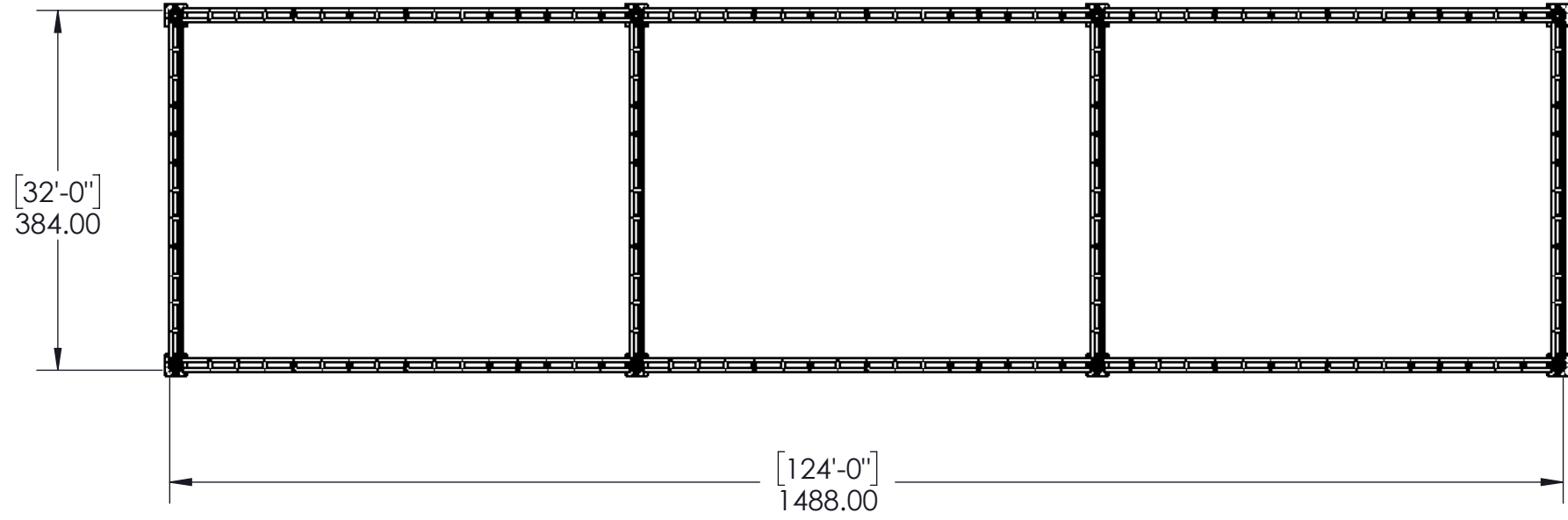
GALLAGHER STAGING & PRODUCTIONS
 15701 Heron Ave,
 La Mirada,
 CA 90628
 TEL : +1 (714) 690 1559
 www.gallagherstaging.com



THIS DRAWING IS PROPERTY OF GALLAGHER STAGING AND PRODUCTIONS AND CANNOT BE DUPLICATED, MODIFIED OR USED FOR ANY OTHER PURPOSE WITHOUT WRITTEN PERMISSION FROM GALLAGHER STAGING. USE OF THIS DRAWING FOR BIDDING IS STRICTLY PROHIBITED. VERIFY ALL DIMENSIONS, SPECIFICATIONS, AND CONDITIONS BEFORE USING THIS DRAWING FOR CONSTRUCTION. THIS DRAWING IS CONFIDENTIAL AND SHOULD NOT BE DISCLOSED TO A 3RD PARTY WITHOUT WRITTEN PERMISSION FROM GALLAGHER STAGING AND PRODUCTIONS.



FRONT ELEVATION 1



PLAN 2

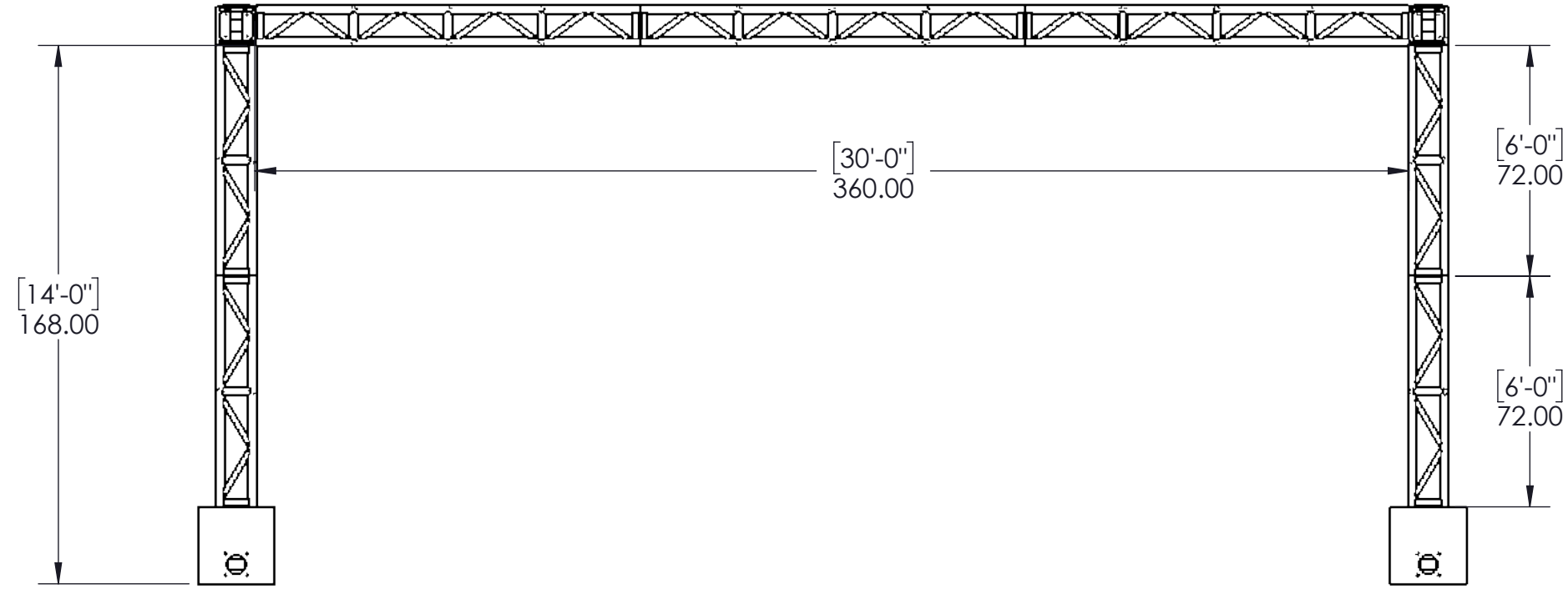
All dimensions in inches unless otherwise stated Do **NOT** measure undimensioned features **IF IN DOUBT - ASK!**

GALLAGHER STAGING & PRODUCTIONS
 15701 Heron Ave,
 La Mirada,
 CA 90628
 TEL : +1 (714) 690 1559
 www.gallagherstaging.com



Project Name:	TRUSS GRID	Date:	5/10/2019
Drawing Name:	TRUSS GRID	Scale:	1:180 @ 11in x 17in
Project Number:	G19-XXXX	Rev Date:	5/10/2019
Drawn by:	DAN PACE	Sheet:	2 of 3
Drawing Number:	SA-GS-12IN TGRID 32FTD X 124FTW X 14FT T MIC	Rev:	1

THIS DRAWING IS PROPERTY OF GALLAGHER STAGING AND PRODUCTIONS AND CANNOT BE DUPLICATED, MODIFIED OR USED FOR ANY OTHER PURPOSE WITHOUT WRITTEN PERMISSION FROM GALLAGHER STAGING. USE OF THIS DRAWING FOR BIDDING IS STRICTLY PROHIBITED. VERIFY ALL DIMENSIONS, SPECIFICATIONS, AND CONDITIONS BEFORE USING THIS DRAWING FOR CONSTRUCTION. THIS DRAWING IS CONFIDENTIAL AND SHOULD NOT BE DISCLOSED TO A 3RD PARTY WITHOUT WRITTEN PERMISSION FROM GALLAGHER STAGING AND PRODUCTIONS.



END ELEVATION

3

All dimensions in inches unless otherwise stated Do **NOT** measure undimensioned features **IF IN DOUBT - ASK!**

GALLAGHER STAGING & PRODUCTIONS
 15701 Heron Ave,
 La Mirada,
 CA 90628
 TEL : +1 (714) 690 1559
 www.gallagherstaging.com



Project Name: TRUSS GRID
Drawing Name: TRUSS GRID
Project Number: G19-XXXX
Drawn by: DAN PACE
Drawing Number: SA-GS-12IN TGRID 32FTD X 124FTW X 14FT T MIC

Date: 5/10/2019
Scale: 1:180 @ 11in x 17in
Rev Date: 5/10/2019
Sheet: 3 of 3
Rev: 1

THIS DRAWING IS PROPERTY OF GALLAGHER STAGING AND PRODUCTIONS AND CANNOT BE DUPLICATED, MODIFIED OR USED FOR ANY OTHER PURPOSE WITHOUT WRITTEN PERMISSION FROM GALLAGHER STAGING. USE OF THIS DRAWING FOR BIDDING IS STRICTLY PROHIBITED. VERIFY ALL DIMENSIONS, SPECIFICATIONS, AND CONDITIONS BEFORE USING THIS DRAWING FOR CONSTRUCTION. THIS DRAWING IS CONFIDENTIAL AND SHOULD NOT BE DISCLOSED TO A 3RD PARTY WITHOUT WRITTEN PERMISSION FROM GALLAGHER STAGING AND PRODUCTIONS.