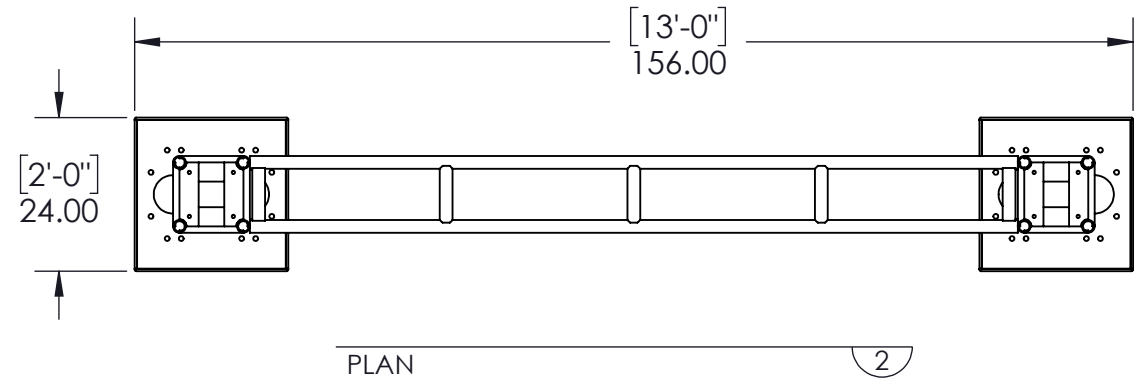


<b>Project Name:</b> Gallagher	<b>Date:</b> 04/01/2019
<b>Drawing Name:</b> Gallagher-12in Truss Arch	<b>Scale:</b> 1:16 @ 11in x 17in
<b>Project Number:</b> GS-19	<b>Rev Date:</b> 04/01/2019
<b>Drawn by:</b> AARON SANCHEZ	<b>Sheet:</b> 1 of 2
<b>Drawing Number:</b> SA-GS-12IN TA 9ftx10ft I.D. MiG-C	<b>Rev:</b> 1

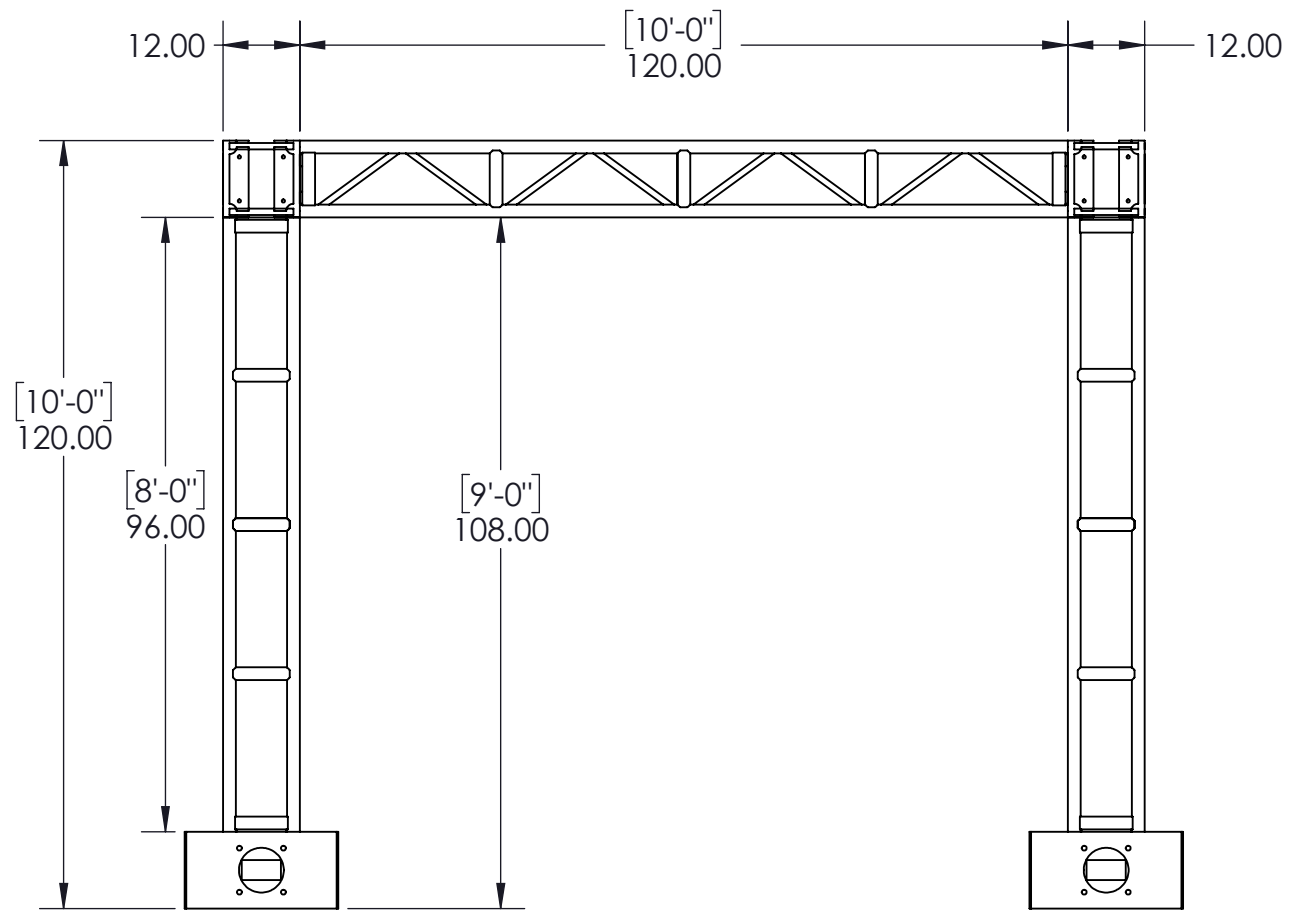
**GALLAGHER STAGING & PRODUCTIONS**  
 15701 Heron Ave,  
 La Mirada,  
 CA 90628  
 TEL : +1 (714) 690 1559  
 www.gallagherstaging.com



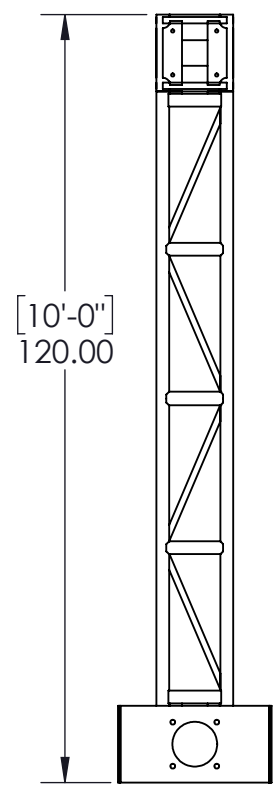
THIS DRAWING IS PROPERTY OF GALLAGHER STAGING AND PRODUCTIONS AND CANNOT BE DUPLICATED, MODIFIED OR USED FOR ANY OTHER PURPOSE WITHOUT WRITTEN PERMISSION FROM GALLAGHER STAGING. USE OF THIS DRAWING FOR BIDDING IS STRICTLY PROHIBITED. VERIFY ALL DIMENSIONS, SPECIFICATIONS, AND CONDITIONS BEFORE USING THIS DRAWING FOR CONSTRUCTION. THIS DRAWING IS CONFIDENTIAL AND SHOULD NOT BE DISCLOSED TO A 3RD PARTY WITHOUT WRITTEN PERMISSION FROM GALLAGHER STAGING AND PRODUCTIONS.



PLAN 2



FRONT ELEVATION 1



END ELEVATION 3

All dimensions in inches unless otherwise stated Do **NOT** measure undimensioned features **IF IN DOUBT - ASK!**

Project Name:	Gallagher	Date:	04/01/2019
Drawing Name:	Gallagher-12in Truss Arch	Scale:	1:30 @ 11in x 17in
Project Number:	GS-19	Rev Date:	04/01/2019
Drawn by:	AARON SANCHEZ	Sheet:	2 of 2
Drawing Number:	SA-GS-12IN TA 9ftx10ft I.D. MiG-C	Rev:	1

**GALLAGHER STAGING & PRODUCTIONS**  
 15701 Heron Ave,  
 La Mirada,  
 CA 90628  
 TEL : +1 (714) 690 1559  
 www.gallagherstaging.com



THIS DRAWING IS PROPERTY OF GALLAGHER STAGING AND PRODUCTIONS AND CANNOT BE DUPLICATED, MODIFIED OR USED FOR ANY OTHER PURPOSE WITHOUT WRITTEN PERMISSION FROM GALLAGHER STAGING. USE OF THIS DRAWING FOR BIDDING IS STRICTLY PROHIBITED. VERIFY ALL DIMENSIONS, SPECIFICATIONS, AND CONDITIONS BEFORE USING THIS DRAWING FOR CONSTRUCTION. THIS DRAWING IS CONFIDENTIAL AND SHOULD NOT BE DISCLOSED TO A 3RD PARTY WITHOUT WRITTEN PERMISSION FROM GALLAGHER STAGING AND PRODUCTIONS.