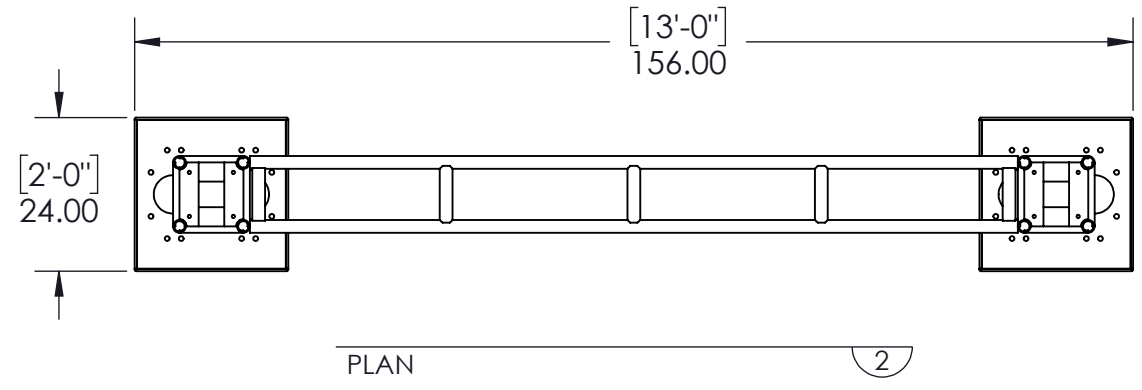


GALLAGHER STAGING & PRODUCTIONS
 15701 Heron Ave,
 La Mirada,
 CA 90628
 TEL : +1 (714) 690 1559
 www.gallagherstaging.com

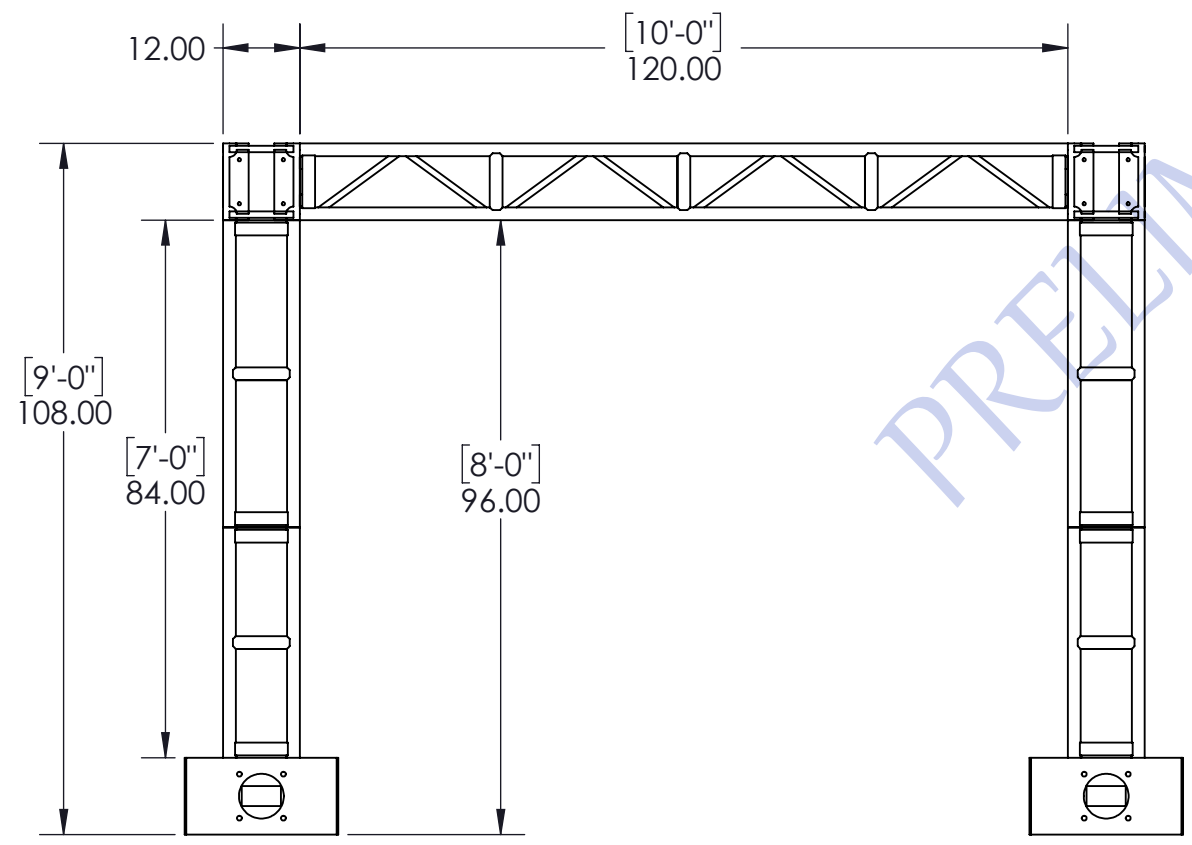


| | |
|--|----------------------------------|
| Project Name: Gallagher | Date: 04/01/2019 |
| Drawing Name: Gallagher-12in Truss Arch | Scale: 1:16 @ 11in x 17in |
| Project Number: GS-19 | Rev Date: 04/01/2019 |
| Drawn by: AARON SANCHEZ | Sheet: 1 of 2 |
| Drawing Number: SA-GS-12IN TA 8ftx10ft I.D. MiG-C | Rev: 1 |

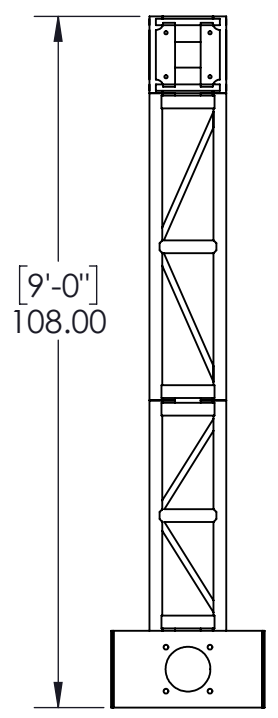
THIS DRAWING IS PROPERTY OF GALLAGHER STAGING AND PRODUCTIONS AND CANNOT BE DUPLICATED, MODIFIED OR USED FOR ANY OTHER PURPOSE WITHOUT WRITTEN PERMISSION FROM GALLAGHER STAGING. USE OF THIS DRAWING FOR BIDDING IS STRICTLY PROHIBITED. VERIFY ALL DIMENSIONS, SPECIFICATIONS, AND CONDITIONS BEFORE USING THIS DRAWING FOR CONSTRUCTION. THIS DRAWING IS CONFIDENTIAL AND SHOULD NOT BE DISCLOSED TO A 3RD PARTY WITHOUT WRITTEN PERMISSION FROM GALLAGHER STAGING AND PRODUCTIONS.



PLAN 2



FRONT ELEVATION 1



END ELEVATION 3

PRELIMINARY DRAWING

All dimensions in inches unless otherwise stated Do **NOT** measure undimensioned features **IF IN DOUBT - ASK!**

| | | | |
|-----------------|-----------------------------------|-----------|--------------------|
| Project Name: | Gallagher | Date: | 04/01/2019 |
| Drawing Name: | Gallagher-12in Truss Arch | Scale: | 1:30 @ 11in x 17in |
| Project Number: | GS-19 | Rev Date: | 04/01/2019 |
| Drawn by: | AARON SANCHEZ | Sheet: | 2 of 2 |
| Drawing Number: | SA-GS-12IN TA 8ftx10ft I.D. MiG-C | Rev: | 1 |

GALLAGHER STAGING & PRODUCTIONS
 15701 Heron Ave,
 La Mirada,
 CA 90628
 TEL : +1 (714) 690 1559
 www.gallagherstaging.com



THIS DRAWING IS PROPERTY OF GALLAGHER STAGING AND PRODUCTIONS AND CANNOT BE DUPLICATED, MODIFIED OR USED FOR ANY OTHER PURPOSE WITHOUT WRITTEN PERMISSION FROM GALLAGHER STAGING. USE OF THIS DRAWING FOR BIDDING IS STRICTLY PROHIBITED. VERIFY ALL DIMENSIONS, SPECIFICATIONS, AND CONDITIONS BEFORE USING THIS DRAWING FOR CONSTRUCTION. THIS DRAWING IS CONFIDENTIAL AND SHOULD NOT BE DISCLOSED TO A 3RD PARTY WITHOUT WRITTEN PERMISSION FROM GALLAGHER STAGING AND PRODUCTIONS.