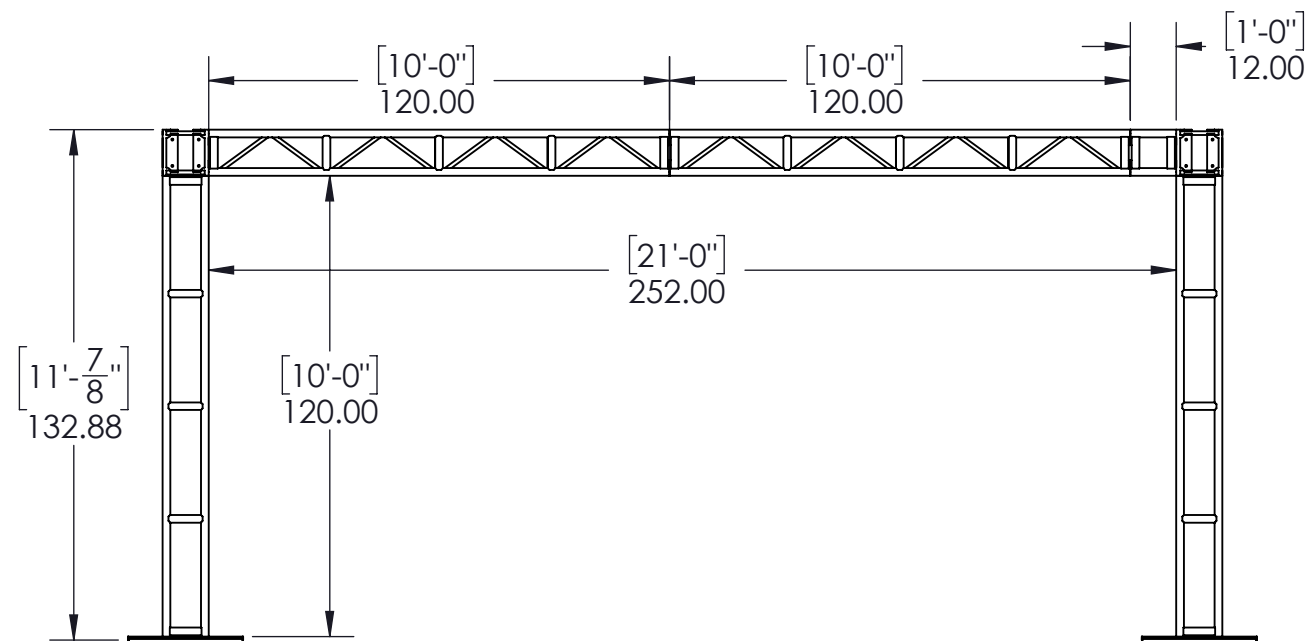
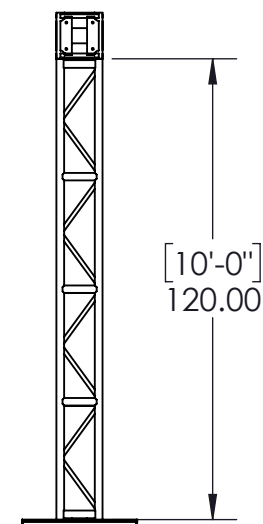
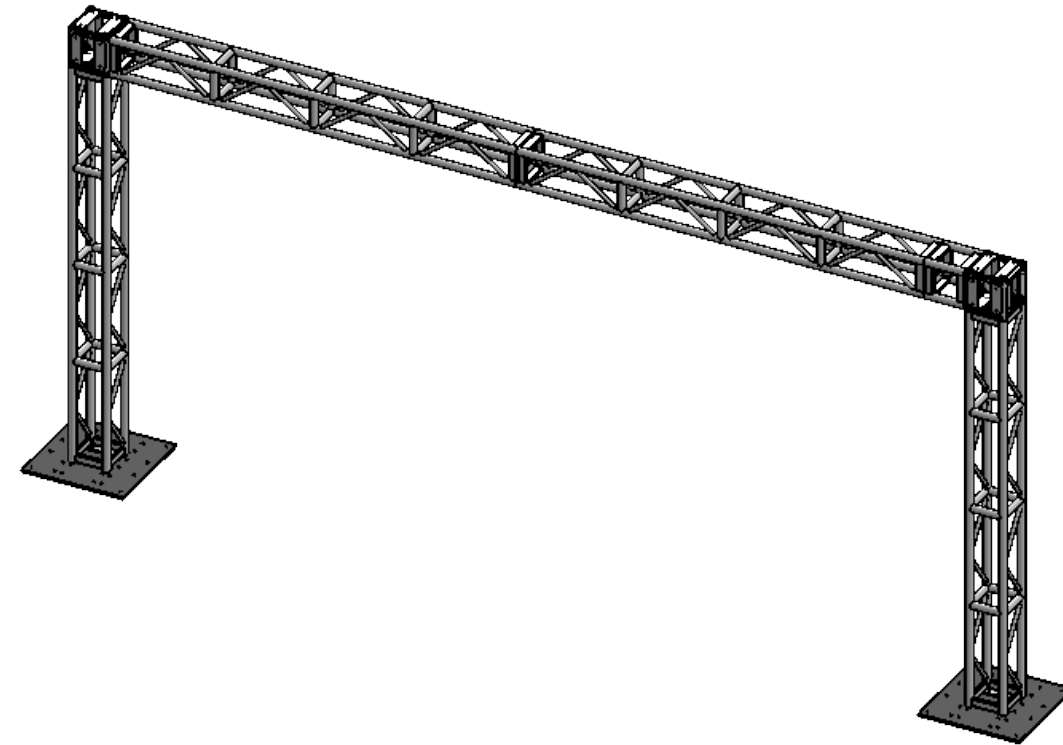


PLAN 2

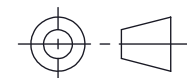


FRONT ELEVATION 1



END ELEVATION 3

Weight: LBS



GALLAGHER STAGING & PRODUCTIONS
 15701 Heron Ave,
 La Mirada,
 CA 90628
 TEL : +1 (714) 690 1559
 www.gallagherstaging.com



Project Name: Gallagher
Drawing Name: Gallagher-12in Truss Arch
Project Number: RQXX
Drawn by: DAN PACE
Drawing Number: Gallagher 12in Truss Arch 10ftX21ft I.D. BP-C

Date: 3/20/2019
Scale: 1:50 @ 11in x 17in
Rev Date: 3/20/2019
Sheet: 1 of 1
Rev: 1