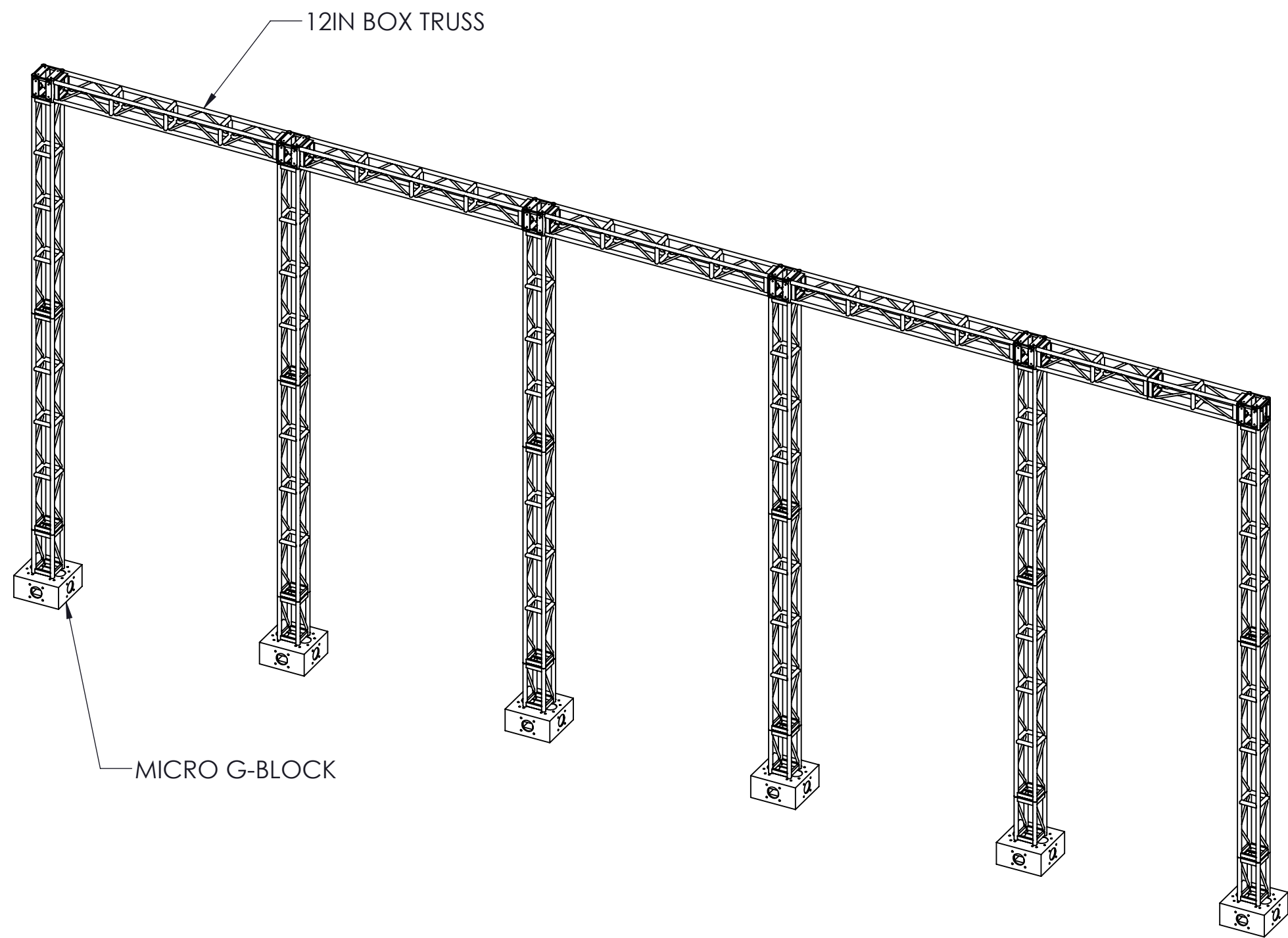


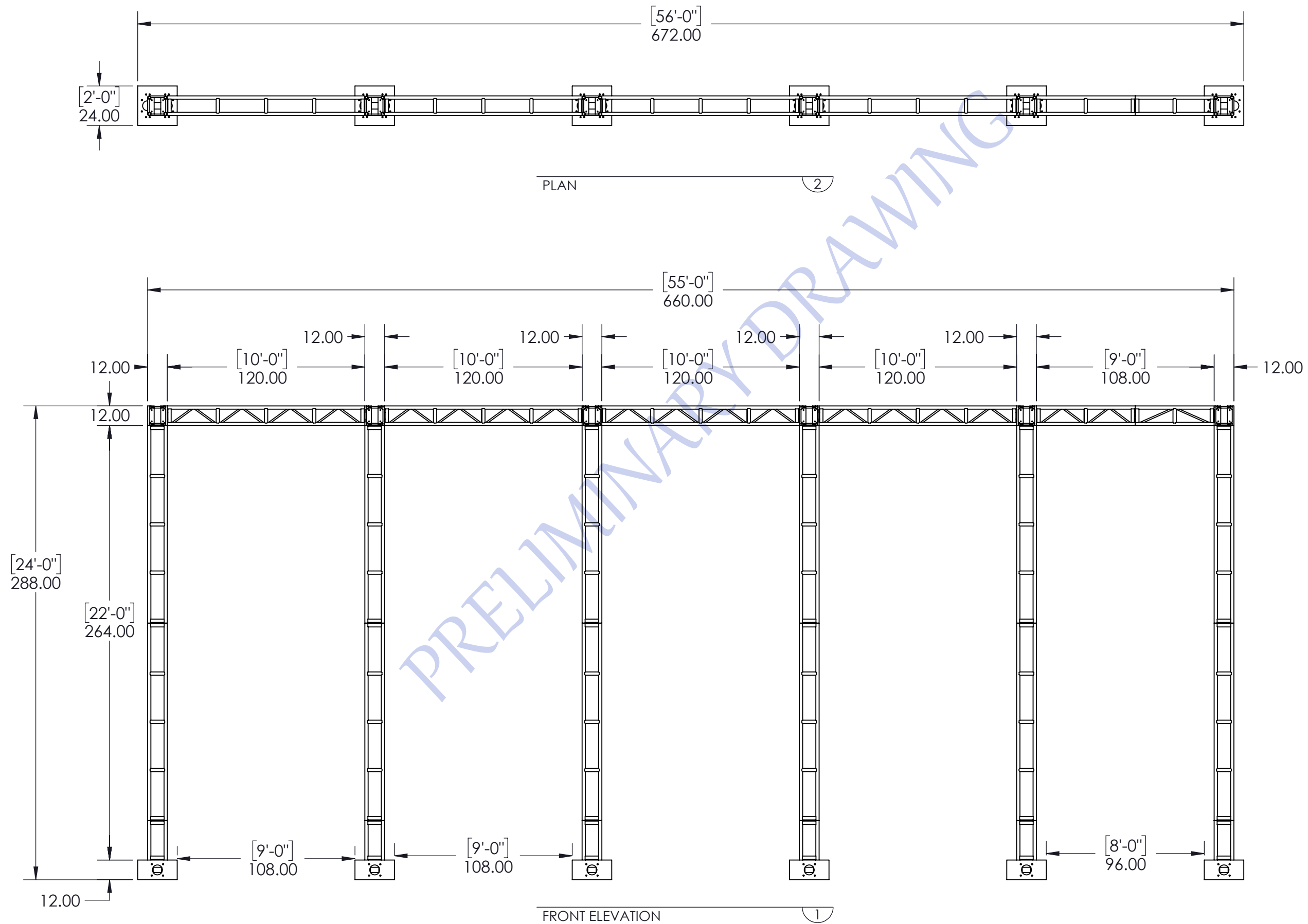
Suggested BOM Table(PULL List may differ)		
ITEM NO.	PART NUMBER	QTY.
1	COM-GS-GB MiGBLOCK CD	6
2	SA-GS-12IN TR_2FT	6
3	SA-GS-12IN TR_10FT	16
4	SA-GS-CB 12in	6
5	SA-GS-12IN TR_5FT	1
6	SA-GS-12IN TR_4FT	1



All dimensions in inches unless otherwise stated Do **NOT** measure undimensioned features **IF IN DOUBT - ASK!**

GALLAGHER STAGING & PRODUCTIONS 15701 Heron Ave, La Mirada, CA 90628 TEL : +1 (714) 690 1559 www.gallagherstaging.com	Project Name: Toyota Hybrid	Date: 02/25/2019
	Drawing Name: Toyota Hybrid-55ftX24ft Truss Assy	Scale: 1:60 @ 11in x 17in
Project Number: G19-0933	Rev Date: 02/25/2019	Rev: 1
Drawn by: AARON SANCHEZ	Sheet: 1 of 2	Drawing Number: SA-G19-0933 TH 55FTx24FT T-1

THIS DRAWING IS PROPERTY OF GALLAGHER STAGING AND PRODUCTIONS AND CANNOT BE DUPLICATED, MODIFIED OR USED FOR ANY OTHER PURPOSE WITHOUT WRITTEN PERMISSION FROM GALLAGHER STAGING. USE OF THIS DRAWING FOR BIDDING IS STRICTLY PROHIBITED. VERIFY ALL DIMENSIONS, SPECIFICATIONS, AND CONDITIONS BEFORE USING THIS DRAWING FOR CONSTRUCTION. THIS DRAWING IS CONFIDENTIAL AND SHOULD NOT BE DISCLOSED TO A 3RD PARTY WITHOUT WRITTEN PERMISSION FROM GALLAGHER STAGING AND PRODUCTIONS.



All dimensions in inches unless otherwise stated Do **NOT** measure undimensioned features **IF IN DOUBT - ASK!**

Project Name: Toyota Hybrid	Date: 01/01/2018
Drawing Name: Toyota Hybrid-55ftX24ft Truss Assy	Scale: 1:60 @ 11in x 17in
Project Number: G19-0933	Rev Date: 05/24/2018
Drawn by: AARON SANCHEZ	Sheet: 2 of 2
Drawing Number: SA-G19-0933 TH 55FTX24FT T-1	Rev: 1

GALLAGHER STAGING & PRODUCTIONS
 15701 Heron Ave,
 La Mirada,
 CA 90628
 TEL : +1 (714) 690 1559
 www.gallagherstaging.com



THIS DRAWING IS PROPERTY OF GALLAGHER STAGING AND PRODUCTIONS AND CANNOT BE DUPLICATED, MODIFIED OR USED FOR ANY OTHER PURPOSE WITHOUT WRITTEN PERMISSION FROM GALLAGHER STAGING. USE OF THIS DRAWING FOR BIDDING IS STRICTLY PROHIBITED. VERIFY ALL DIMENSIONS, SPECIFICATIONS, AND CONDITIONS BEFORE USING THIS DRAWING FOR CONSTRUCTION. THIS DRAWING IS CONFIDENTIAL AND SHOULD NOT BE DISCLOSED TO A 3RD PARTY WITHOUT WRITTEN PERMISSION FROM GALLAGHER STAGING AND PRODUCTIONS.