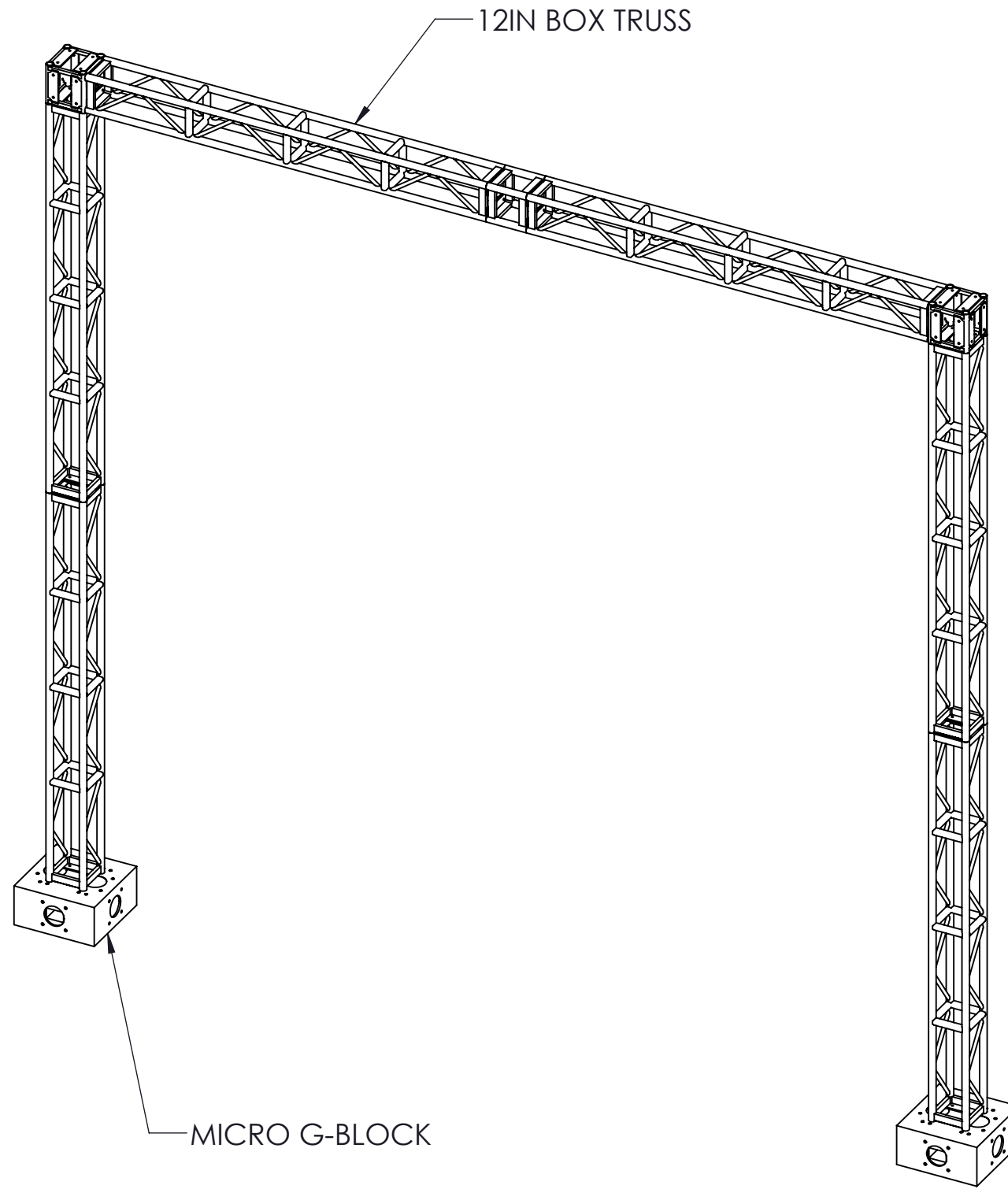


Suggested BOM Table(PULL List may differ)		
ITEM NO.	PART NUMBER	QTY.
1	COM-GS-GB MiGBLOCK CD	2
2	SA-GS-12IN TR_10FT	6
3	SA-GS-CB 12in	2
4	SA-GS-12IN TR_1FT	1

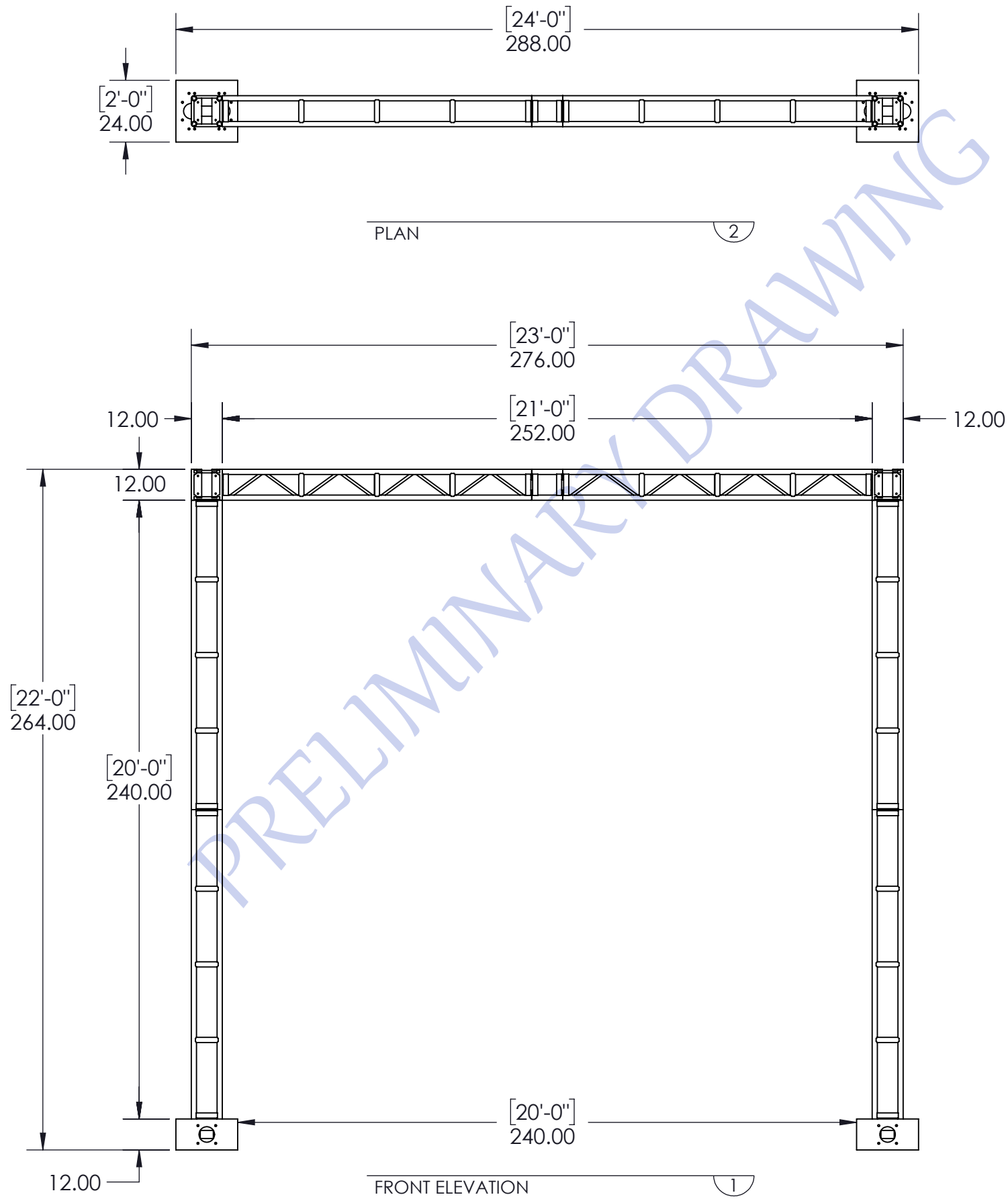


**GALLAGHER STAGING & PRODUCTIONS**  
 15701 Heron Ave,  
 La Mirada,  
 CA 90628  
 TEL : +1 (714) 690 1559  
 www.gallagherstaging.com



<b>Project Name:</b> Toyota Hybrid	<b>Date:</b> 02/25/2019
<b>Drawing Name:</b> Toyota Hybrid-23ftX22ft Truss Assy	<b>Scale:</b> 1:40 @ 11in x 17in
<b>Project Number:</b> G19-0933	<b>Rev Date:</b> 02/25/2019
<b>Drawn by:</b> AARON SANCHEZ	<b>Sheet:</b> 1 of 2
<b>Drawing Number:</b> SA-G19-0933 TH 23FTx22FT T-1	<b>Rev:</b> 1

THIS DRAWING IS PROPERTY OF GALLAGHER STAGING AND PRODUCTIONS AND CANNOT BE DUPLICATED, MODIFIED OR USED FOR ANY OTHER PURPOSE WITHOUT WRITTEN PERMISSION FROM GALLAGHER STAGING. USE OF THIS DRAWING FOR BIDDING IS STRICTLY PROHIBITED. VERIFY ALL DIMENSIONS, SPECIFICATIONS, AND CONDITIONS BEFORE USING THIS DRAWING FOR CONSTRUCTION. THIS DRAWING IS CONFIDENTIAL AND SHOULD NOT BE DISCLOSED TO A 3RD PARTY WITHOUT WRITTEN PERMISSION FROM GALLAGHER STAGING AND PRODUCTIONS.



All dimensions in inches unless otherwise stated Do **NOT** measure undimensioned features **IF IN DOUBT - ASK!**

<b>Project Name:</b> Toyota Hybrid	<b>Date:</b> 01/01/2018
<b>Drawing Name:</b> Toyota Hybrid-23ftX22ft Truss Assy	<b>Scale:</b> 1:50 @ 11in x 17in
<b>Project Number:</b> G19-0933	<b>Rev Date:</b> 05/24/2018
<b>Drawn by:</b> AARON SANCHEZ	<b>Sheet:</b> 2 of 2
<b>Drawing Number:</b> SA-G19-0933 TH 23FTX22FT T-1	<b>Rev:</b> 1

**GALLAGHER STAGING & PRODUCTIONS**  
 15701 Heron Ave,  
 La Mirada,  
 CA 90628  
 TEL : +1 (714) 690 1559  
 www.gallagherstaging.com



THIS DRAWING IS PROPERTY OF GALLAGHER STAGING AND PRODUCTIONS AND CANNOT BE DUPLICATED, MODIFIED OR USED FOR ANY OTHER PURPOSE WITHOUT WRITTEN PERMISSION FROM GALLAGHER STAGING. USE OF THIS DRAWING FOR BIDDING IS STRICTLY PROHIBITED. VERIFY ALL DIMENSIONS, SPECIFICATIONS, AND CONDITIONS BEFORE USING THIS DRAWING FOR CONSTRUCTION. THIS DRAWING IS CONFIDENTIAL AND SHOULD NOT BE DISCLOSED TO A 3RD PARTY WITHOUT WRITTEN PERMISSION FROM GALLAGHER STAGING AND PRODUCTIONS.