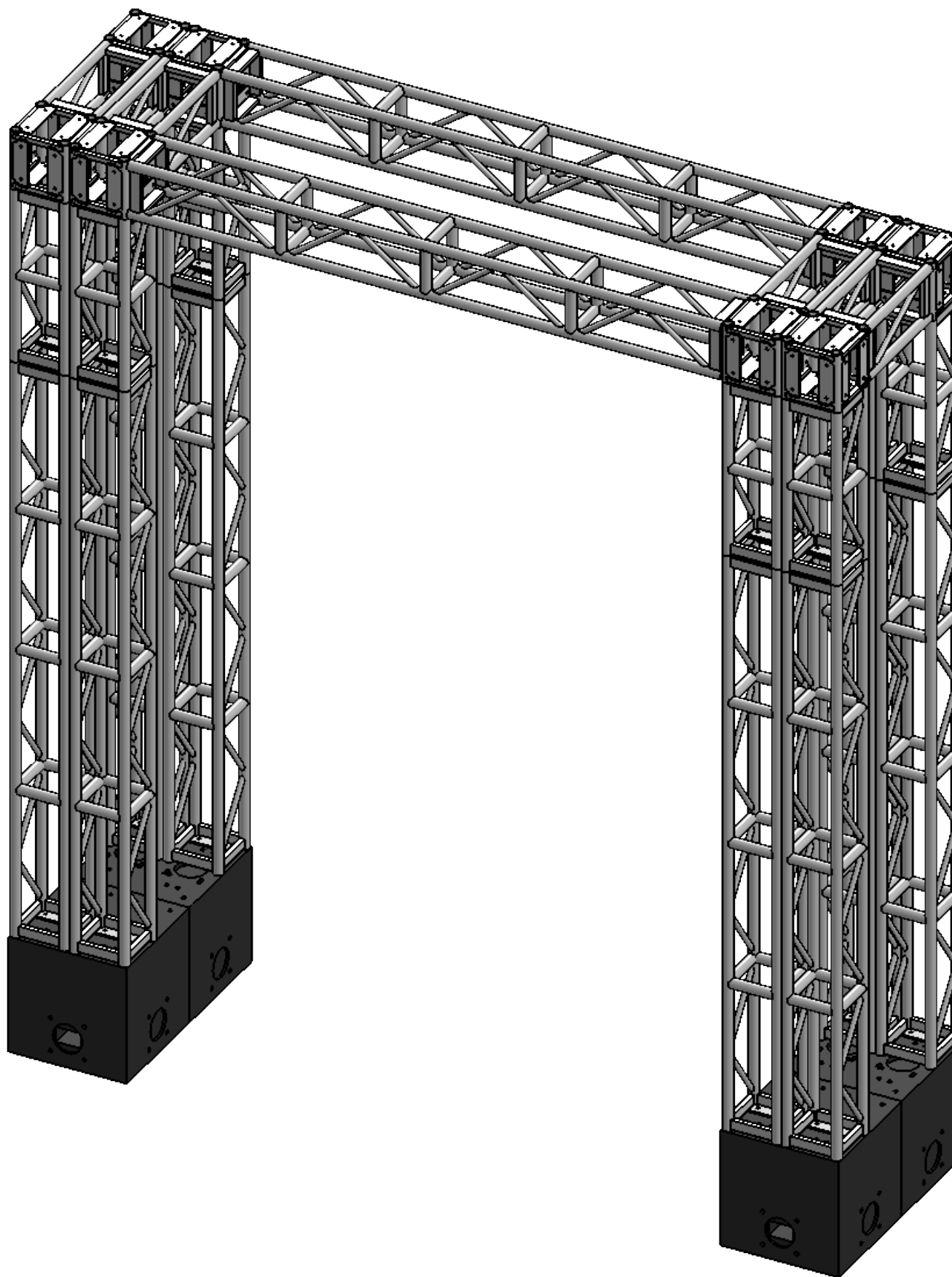


BOM Table		
ITEM NO.	PART NUMBER	QTY.
1	COM-GS-GB MGBLOCK CD	4
2	SA-GS-12IN TR_10FT	10
3	SA-GS-CB 12in	8
4	SA-GS-12IN TR_2FT	4
5	SA-GS-12IN TR_3FT	8

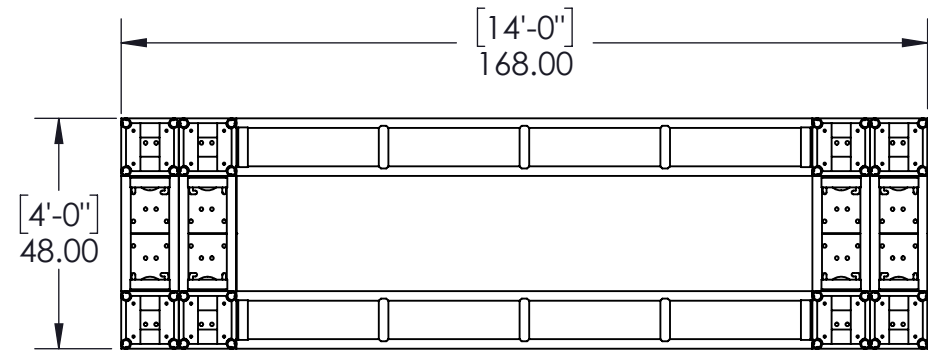


**GALLAGHER STAGING
& PRODUCTIONS**
 15701 Heron Ave,
 La Mirada,
 CA 90628
 TEL : +1 (714) 690 1559
 www.gallagherstaging.com



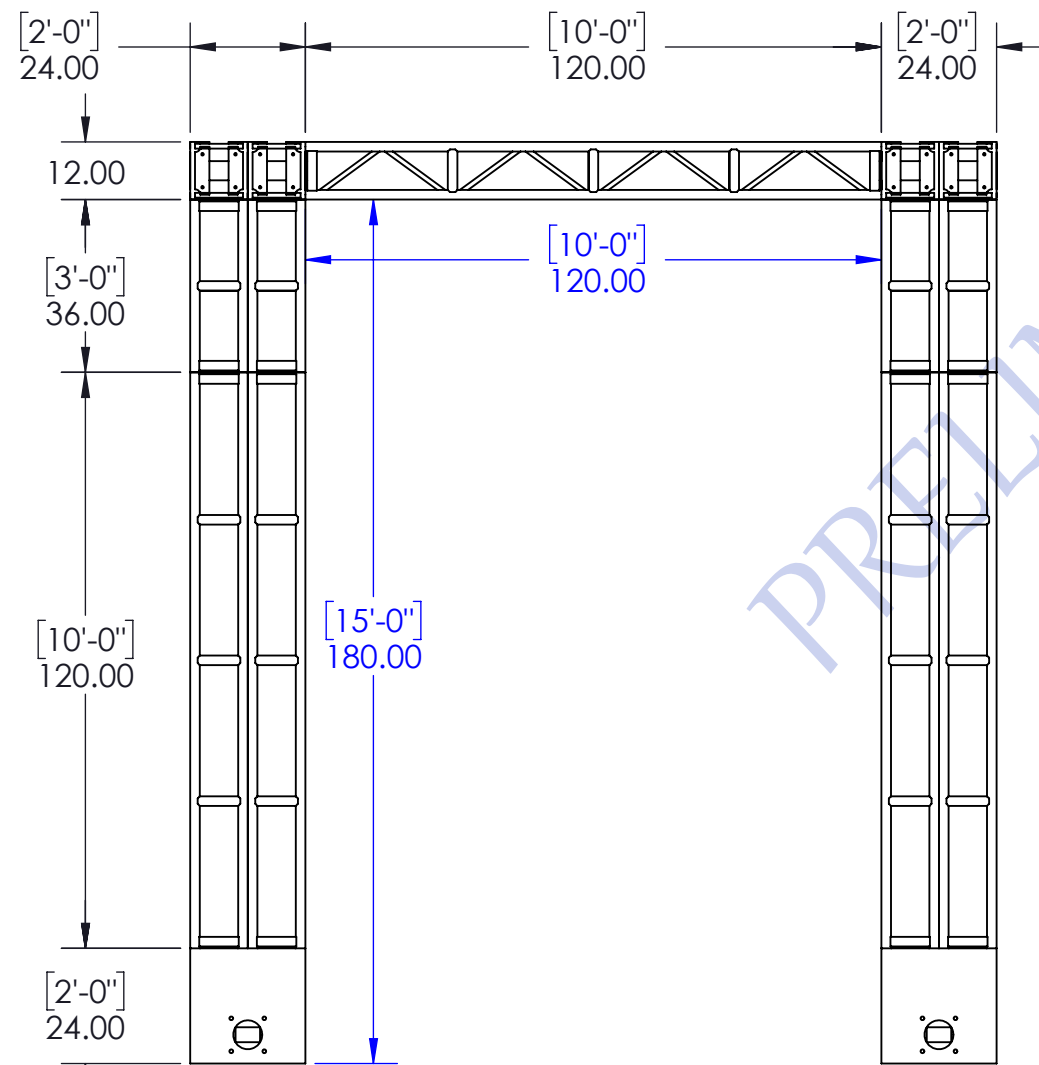
Project Name: Gallagher Staging	Date: 09/25/2018
Drawing Name: Gallagher Staging-12in 22ft X10ft Double Truss	Scale: 1:25 @ 11in x 17in
Project Number: GS-2018	Rev Date: 09/25/2018
Drawn by: AARON SANCHEZ	Sheet: 1 of 2
Drawing Number: SA-GS-12IN TA 15FTx10FT I.D. MG DP	Rev: 1

THIS DRAWING IS PROPERTY OF GALLAGHER STAGING AND PRODUCTIONS AND CANNOT BE DUPLICATED, MODIFIED OR USED FOR ANY OTHER PURPOSE WITHOUT WRITTEN PERMISSION FROM GALLAGHER STAGING. USE OF THIS DRAWING FOR BIDDING IS STRICTLY PROHIBITED. VERIFY ALL DIMENSIONS, SPECIFICATIONS, AND CONDITIONS BEFORE USING THIS DRAWING FOR CONSTRUCTION. THIS DRAWING IS CONFIDENTIAL AND SHOULD NOT BE DISCLOSED TO A 3RD PARTY WITHOUT WRITTEN PERMISSION FROM GALLAGHER STAGING AND PRODUCTIONS.



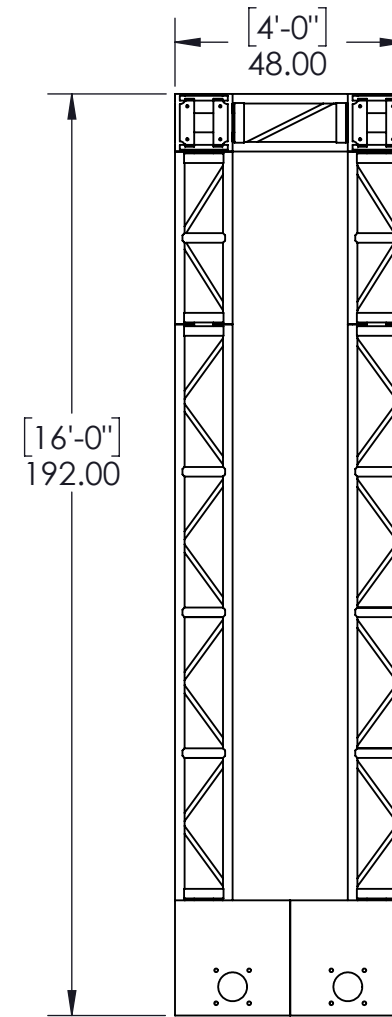
PLAN

2



FRONT ELEVATION

1



END ELEVATION

3

PRELIMINARY DRAWING

All dimensions in inches unless otherwise stated Do **NOT** measure undimensioned features **IF IN DOUBT - ASK!**

Project Name: Gallagher Staging	Date: 09/25/2018
Drawing Name: Gallagher Staging-12in 22ft X10ft Double Truss	Scale: 1:40 @ 11in x 17in
Project Number: GS-2018	Rev Date: 09/25/2018
Drawn by: AARON SANCHEZ	Sheet: 2 of 2
Drawing Number: SA-GS-12IN TA 15FTX10FT I.D. MG DP	Rev: 1

GALLAGHER STAGING & PRODUCTIONS
 15701 Heron Ave,
 La Mirada,
 CA 90628
 TEL : +1 (714) 690 1559
 www.gallagherstaging.com



THIS DRAWING IS PROPERTY OF GALLAGHER STAGING AND PRODUCTIONS AND CANNOT BE DUPLICATED, MODIFIED OR USED FOR ANY OTHER PURPOSE WITHOUT WRITTEN PERMISSION FROM GALLAGHER STAGING. USE OF THIS DRAWING FOR BIDDING IS STRICTLY PROHIBITED. VERIFY ALL DIMENSIONS, SPECIFICATIONS, AND CONDITIONS BEFORE USING THIS DRAWING FOR CONSTRUCTION. THIS DRAWING IS CONFIDENTIAL AND SHOULD NOT BE DISCLOSED TO A 3RD PARTY WITHOUT WRITTEN PERMISSION FROM GALLAGHER STAGING AND PRODUCTIONS.