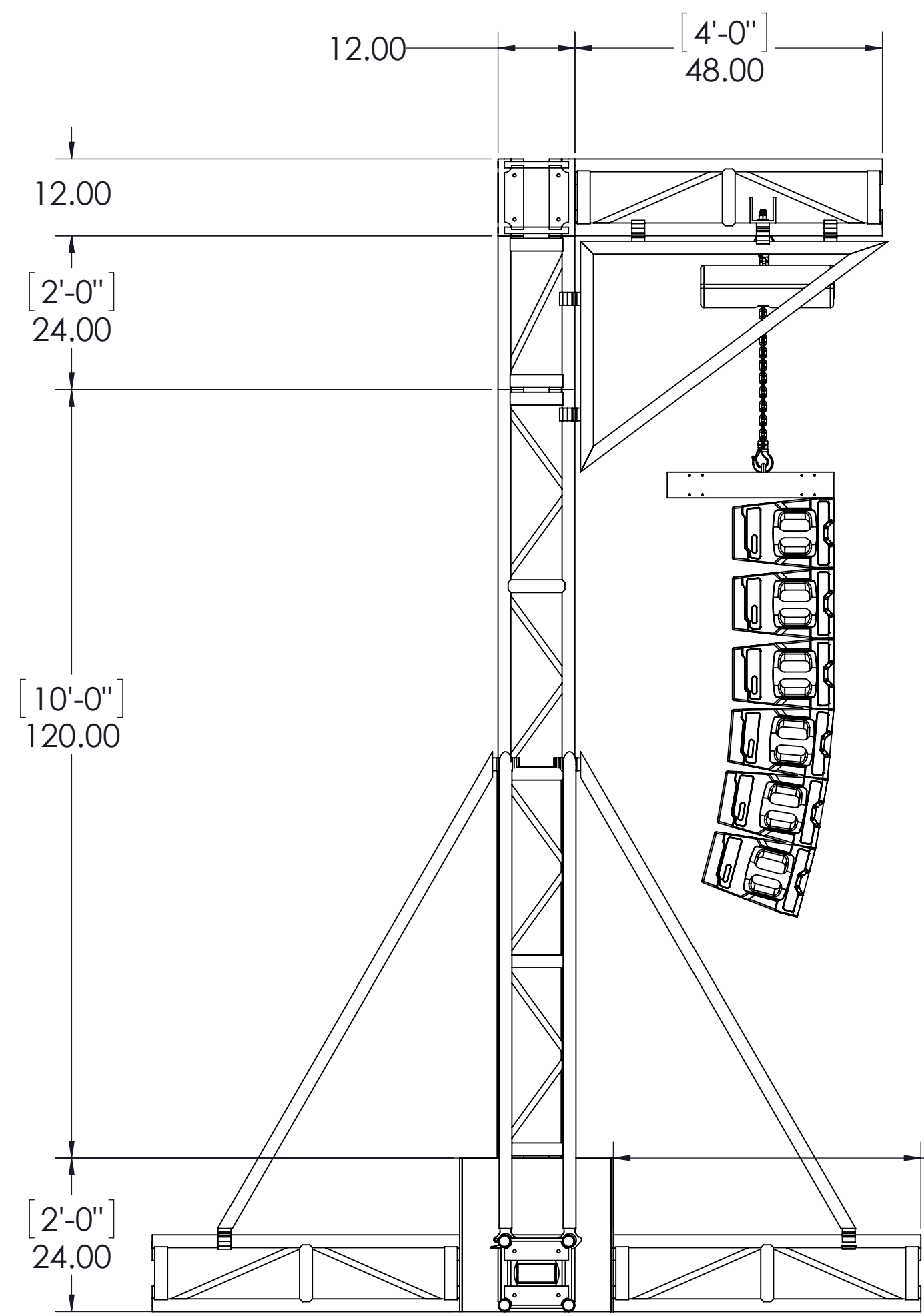


PLAN VIEW

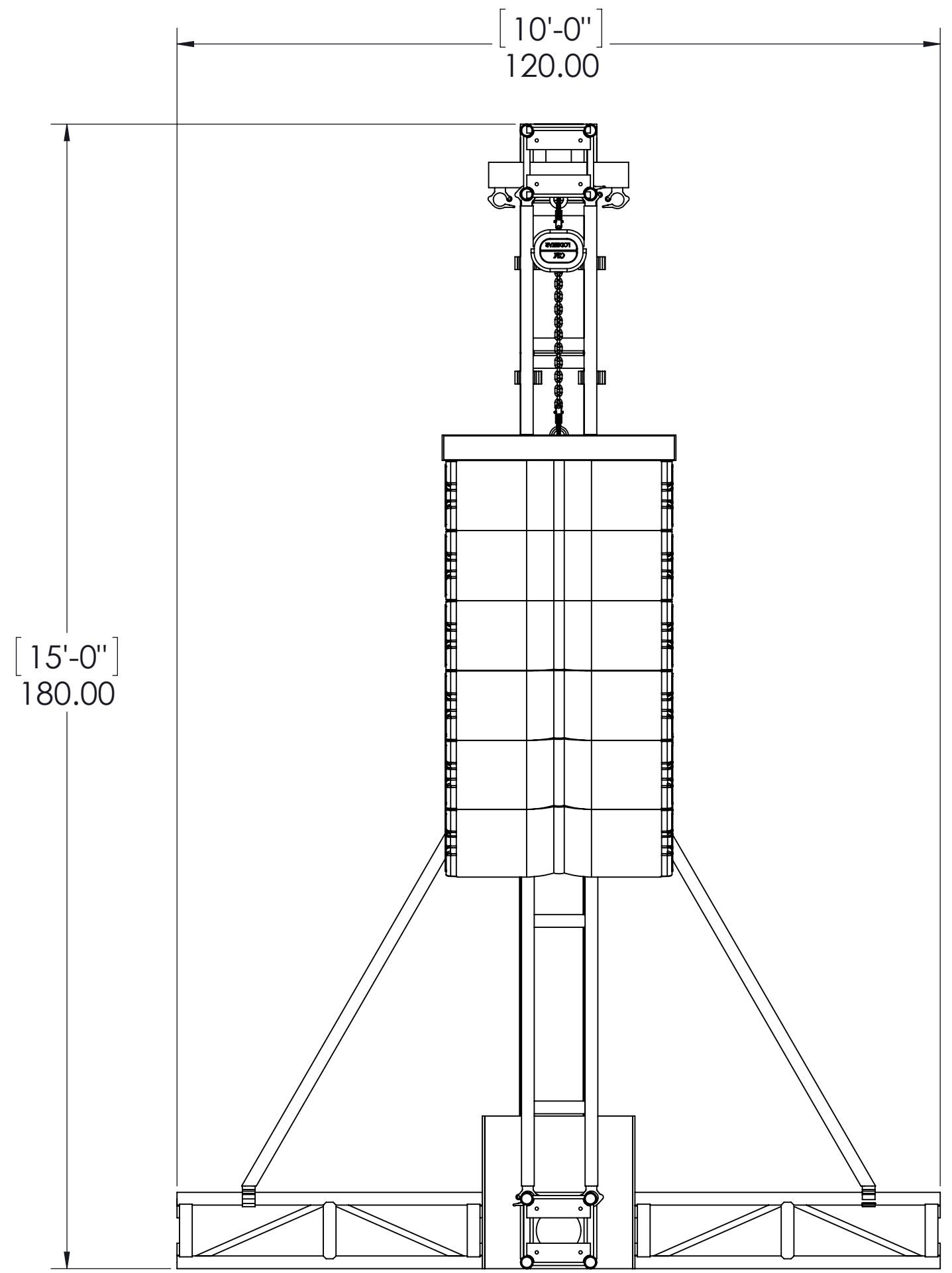
1



FRONT ELEVATION VIEW

2

4'-0"
48.00
OUTRIGGERS

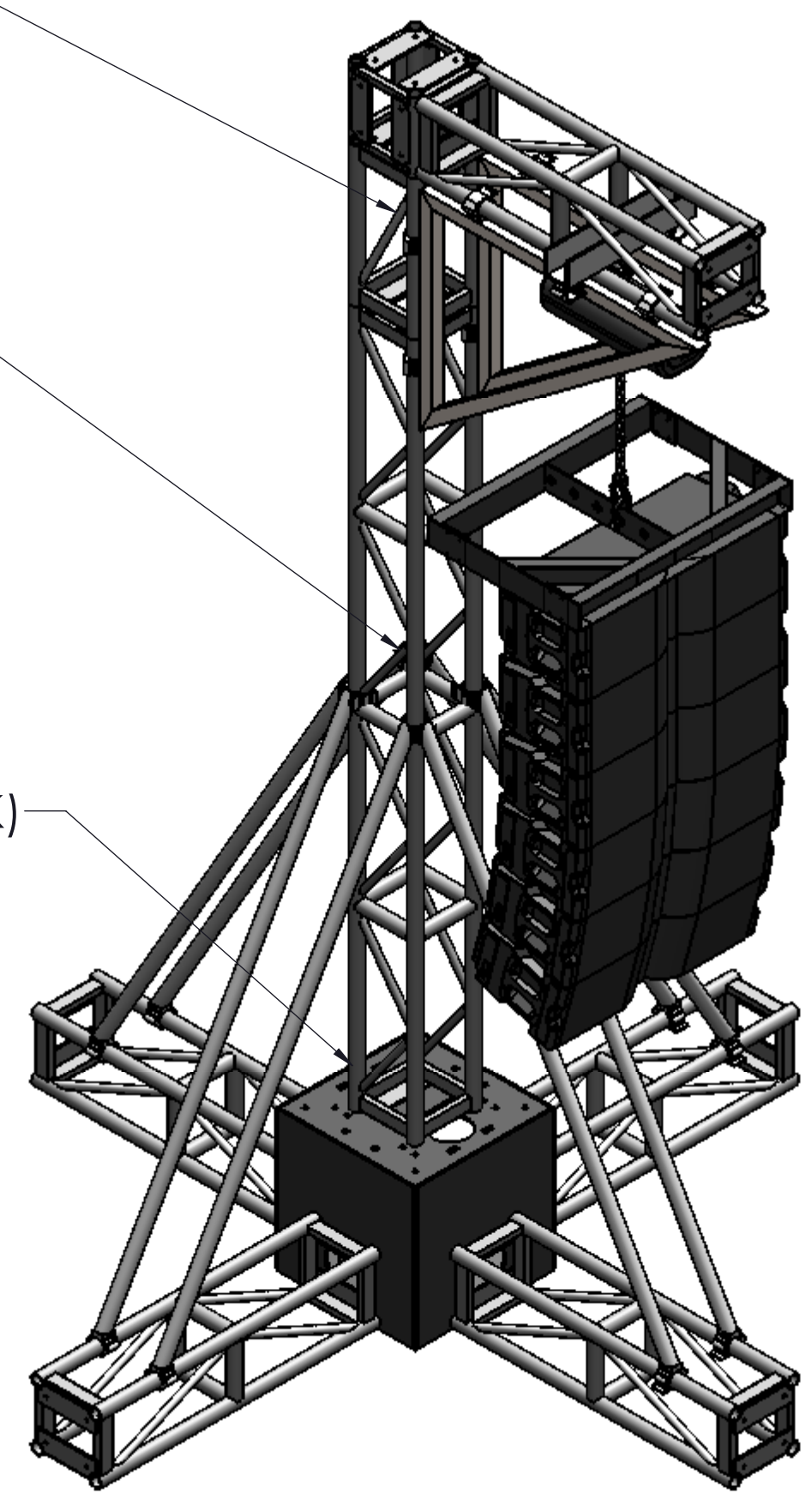


SIDE ELEVATION VIEW

TYPICAL
12" TRUSS

2" STEEL PIPE
CONNECTED
USING CLAMPS

TYPICAL 1500LB
BALLAST(MINI G-BLOCK)



NOTES: UNLESS OTHERWISE SPECIFIED

PROJECT NAME: MINI G-BLOCK PA TOWER
DRAWING TITLE: MINI G-BLOCK PA TOWER - 15FT
PROJECT NUMBER:
DRAWN BY: AARON SANCHEZ

DATE: 10/23/2015
REVISION: V1
SCALE: 1 TO 20
ON 11 X 17 PAGE

GALLAGHER STAGING & PRODUCTIONS
15701 HERON AVE
LA MIRADA, CA 90638

