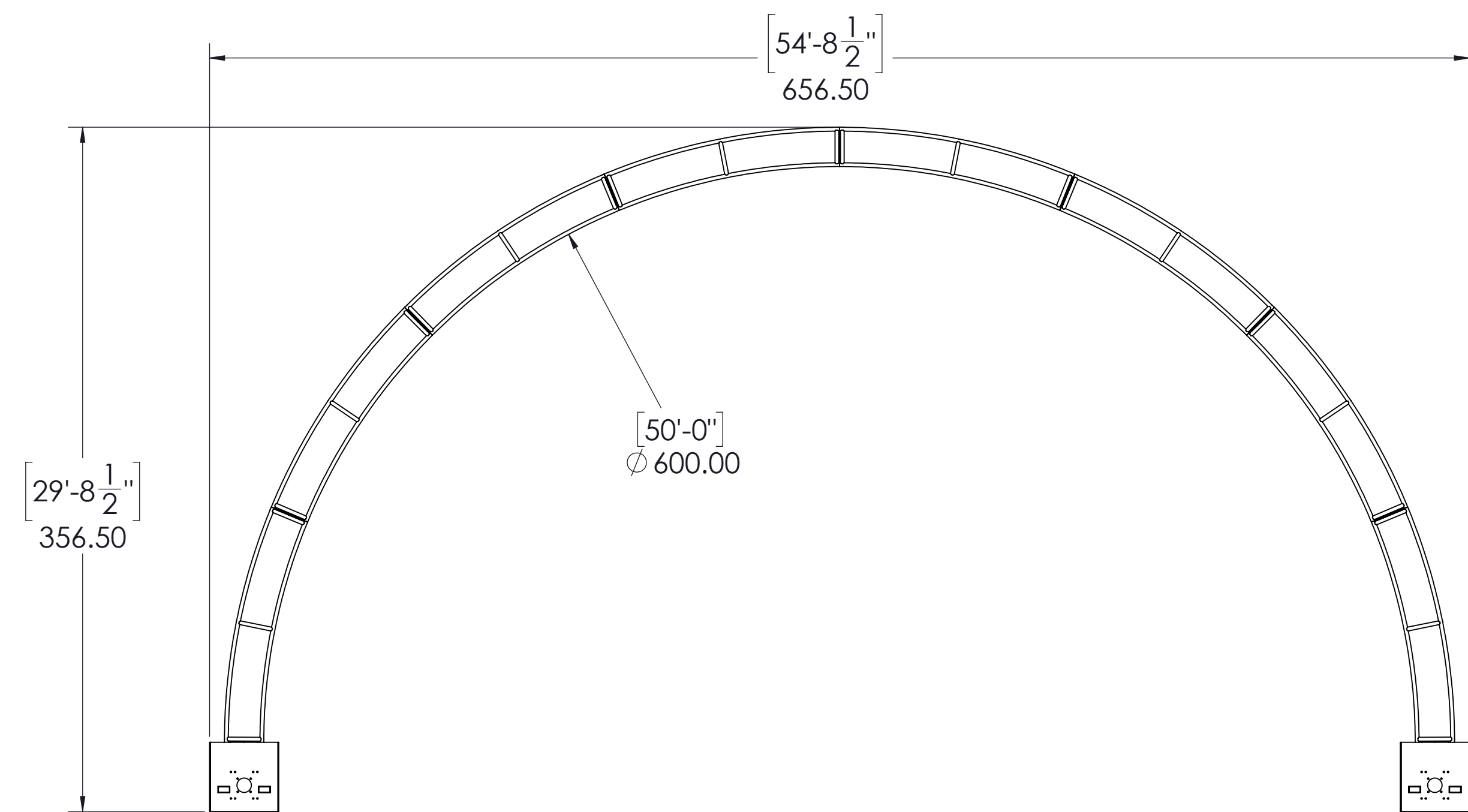
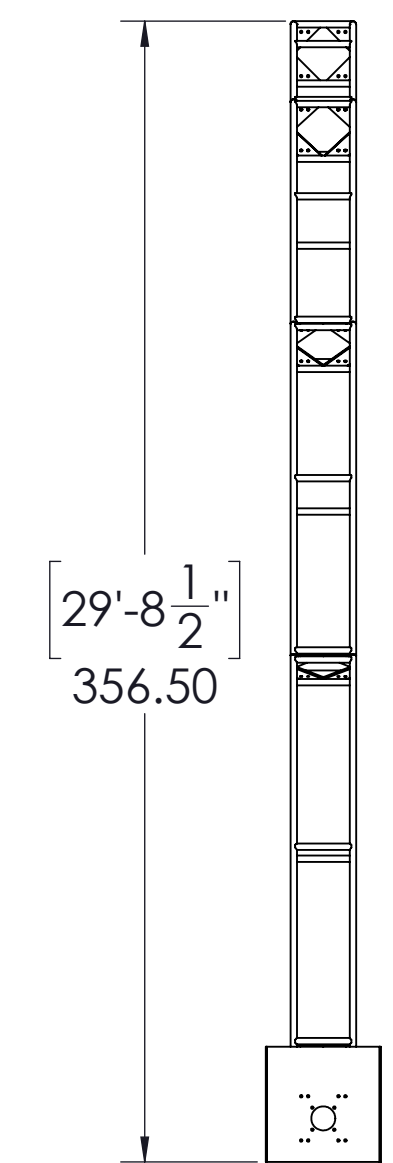
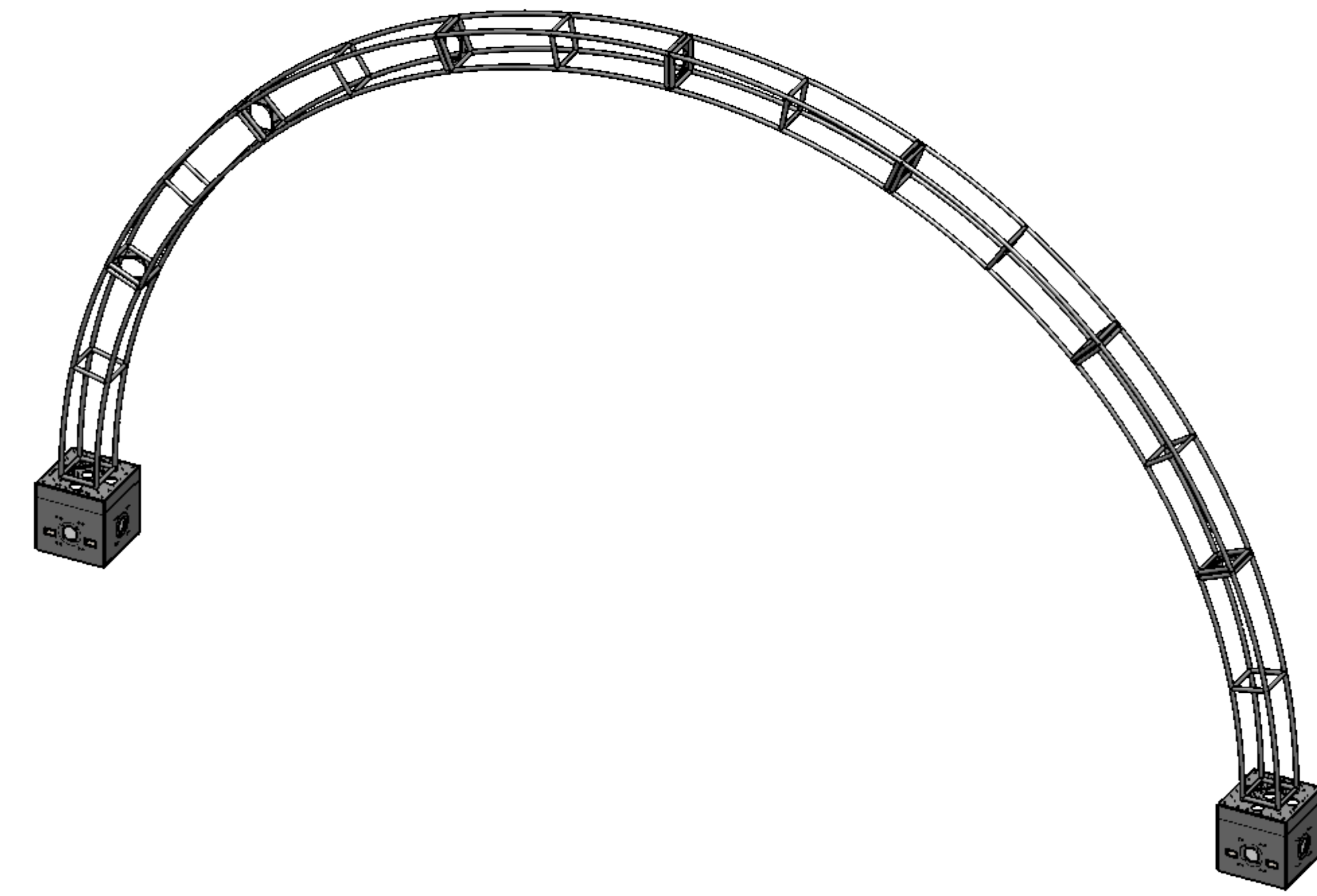


PLAN VIEW 1



FRONT ELEVATION VIEW 2



SIDE ELEVATION VIEW 3

NOTES: UNLESS OTHERWISE SPECIFIED

PROJECT NAME: GALLAGHER TRUSS CIRCLE ARCH	DATE: 05/02/2016
DRAWING TITLE: GALLAGHER TRUSS CIRCLE ARCH - 50FT I.D.	REVISION: V1
PROJECT NUMBER:	SCALE: 1 TO 60
DRAWN BY: AARON SANCHEZ	ON 11 X 17 PAGE

GALLAGHER STAGING & PRODUCTIONS  
 15701 HERON AVE  
 LA MIRADA, CA 90638

