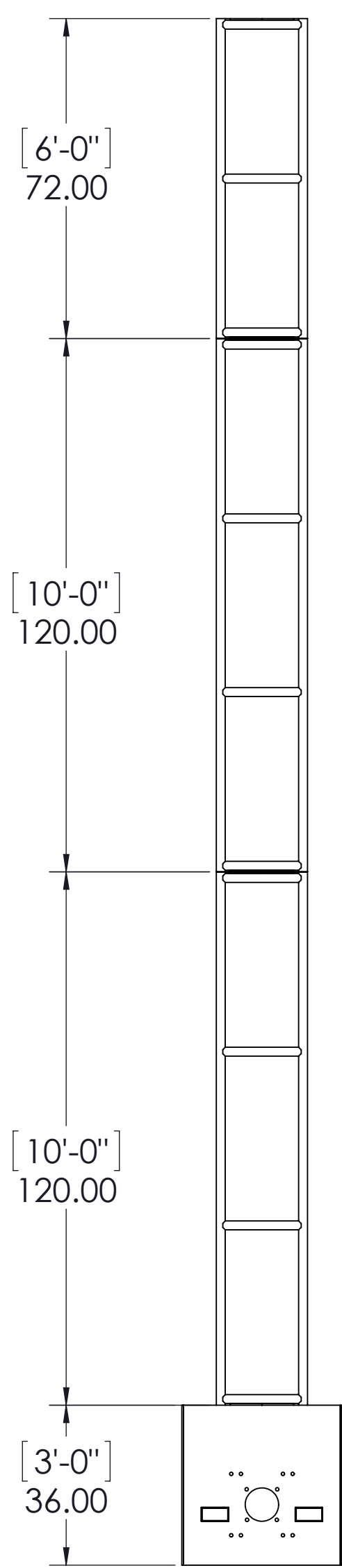
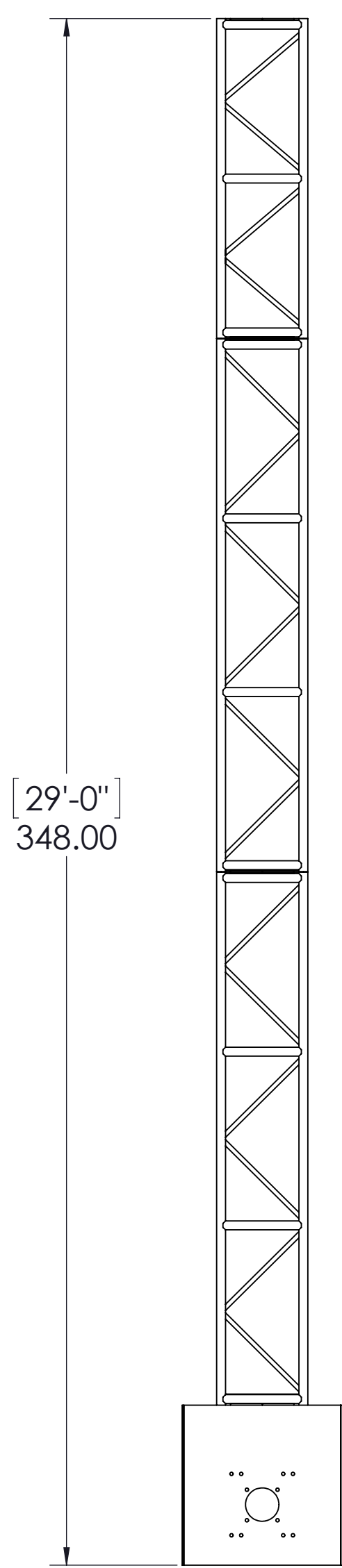


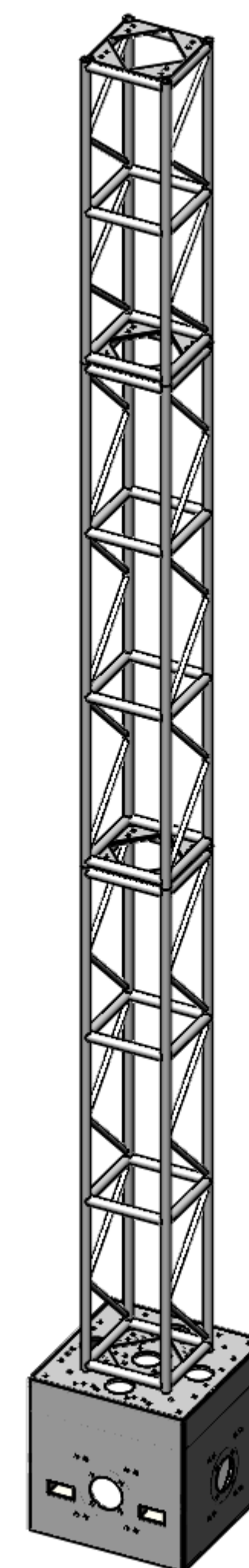
PLAN VIEW



FRONT ELEVATION VIEW



SIDE ELEVATION VIEW



NOTES: UNLESS OTHERWISE SPECIFIED

GALLAGHER STAGING & PRODUCTIONS
 15701 HERON AVE
 LA MIRADA, CA 90638



PROJECT NAME: GALLAGHER TRUSS TOWER

DRAWING TITLE: GALLAGHER TRUSS TOWER - 20.5IN TRUSS 29FT TALL VERT

PROJECT NUMBER:

DRAWN BY: AARON SANCHEZ

DATE: 12/14/2015

REVISION: V1

SCALE: 1 TO 30
 ON 11 X 17 PAGE