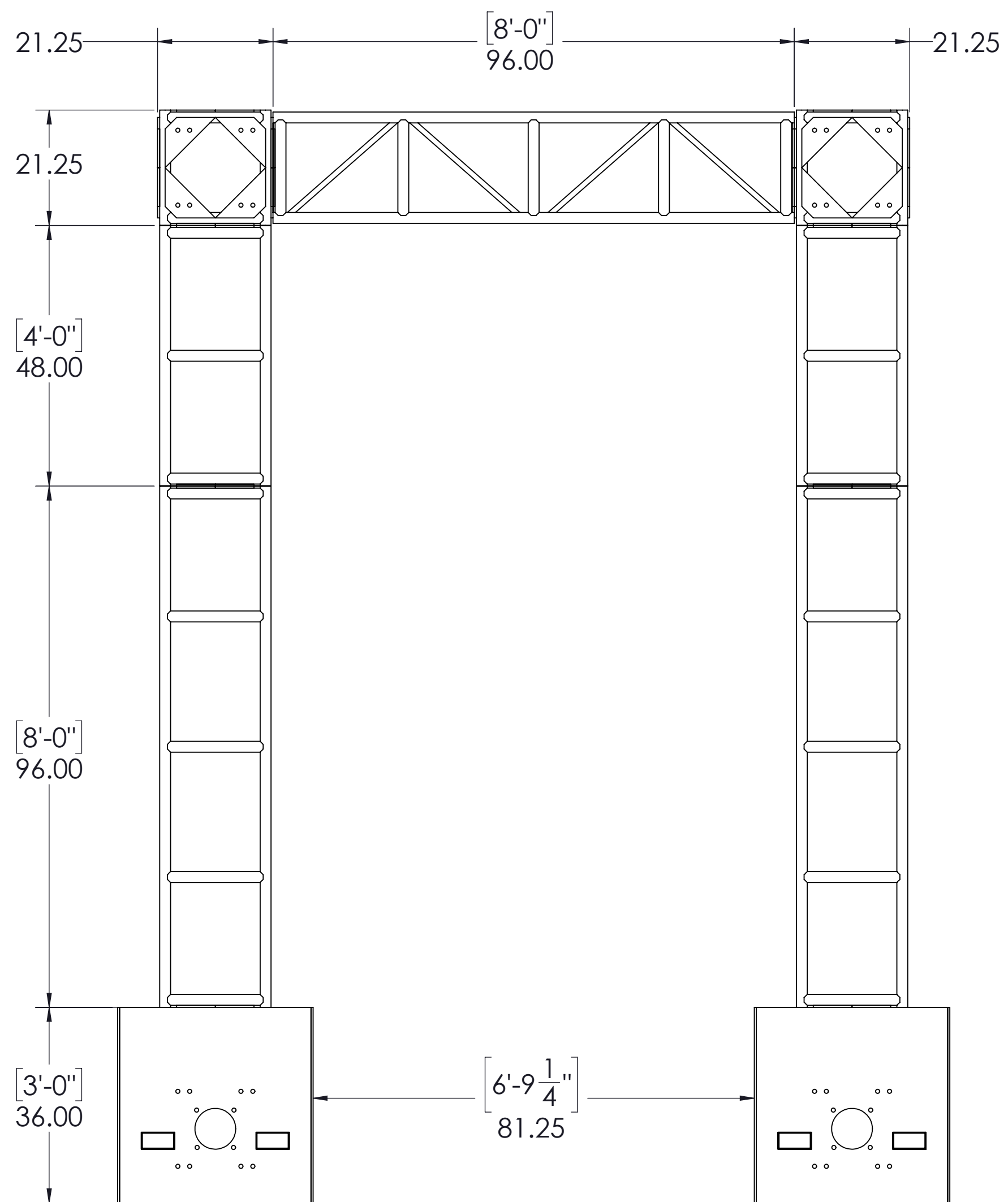
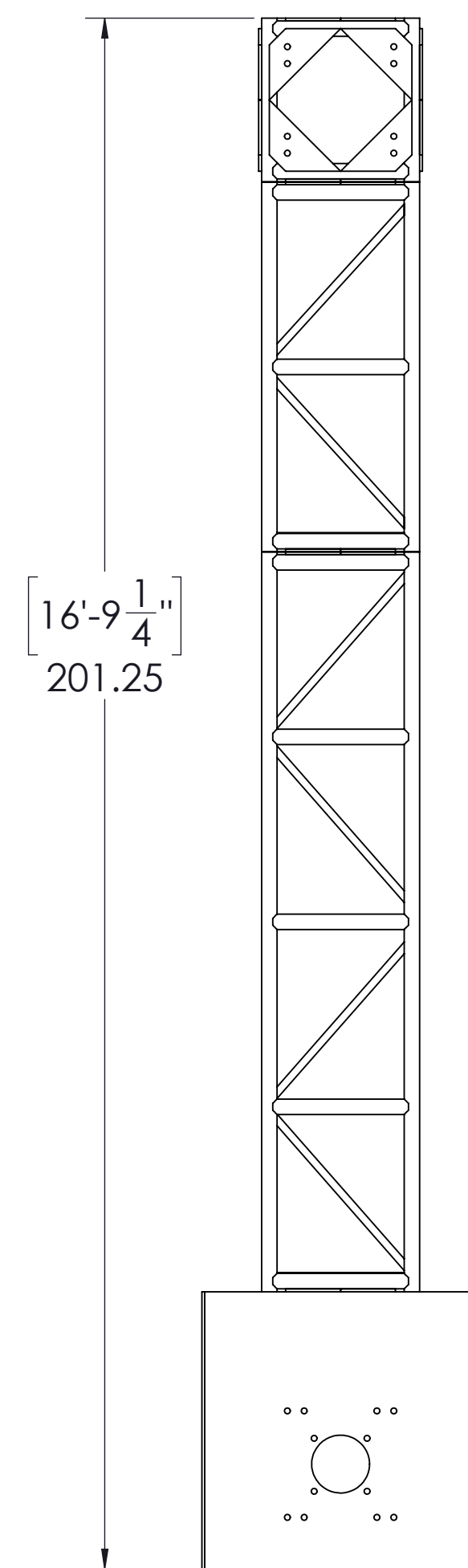


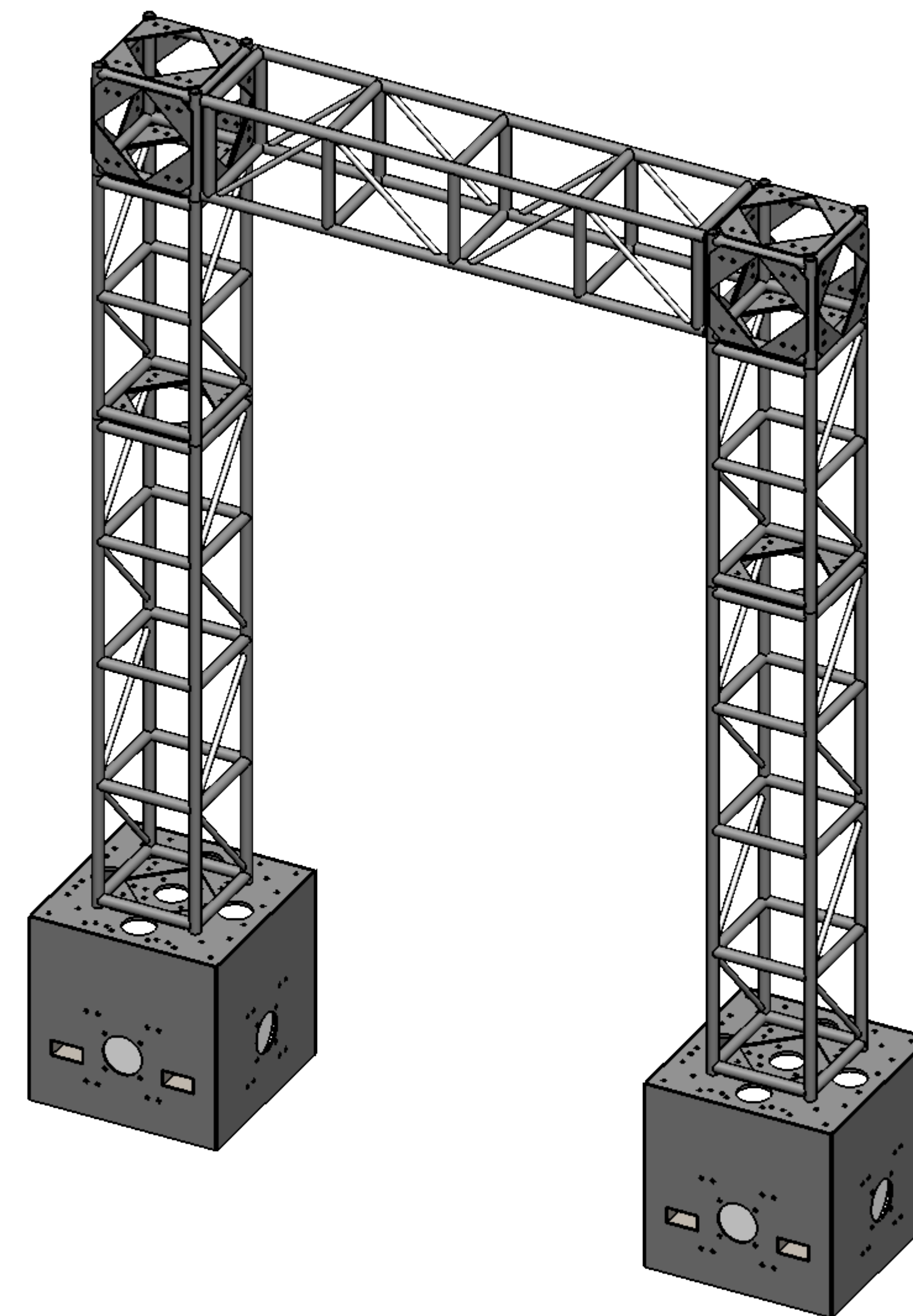
PLAN VIEW



FRONT ELEVATION VIEW



SIDE ELEVATION VIEW



NOTES: UNLESS OTHERWISE SPECIFIED

PROJECT NAME: GALLAGHER TRUSS TOWER

DRAWING TITLE: GALLAGHER TRUSS TOWER - 20.5" 17FT VERT ~ 8FT I.D.

PROJECT NUMBER:

DRAWN BY: AARON SANCHEZ

DATE: 04/29/2016

REVISION: V1

SCALE: 1 TO 20
ON 11 X 17 PAGE

GALLAGHER STAGING & PRODUCTIONS
15701 HERON AVE
LA MIRADA, CA 90638

