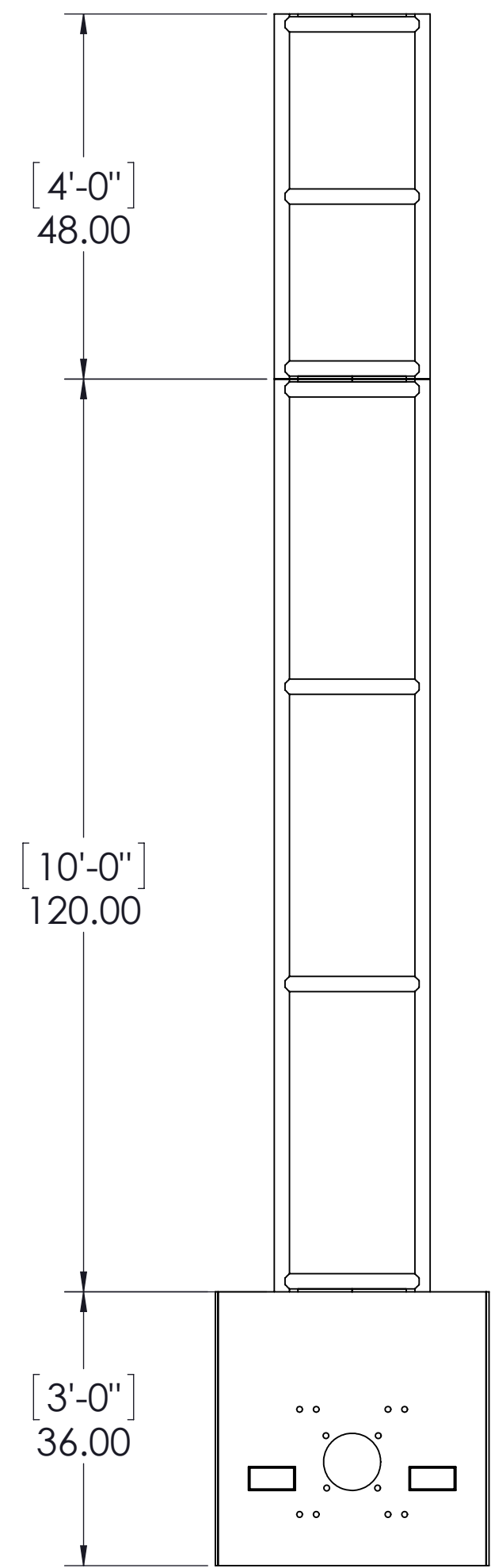


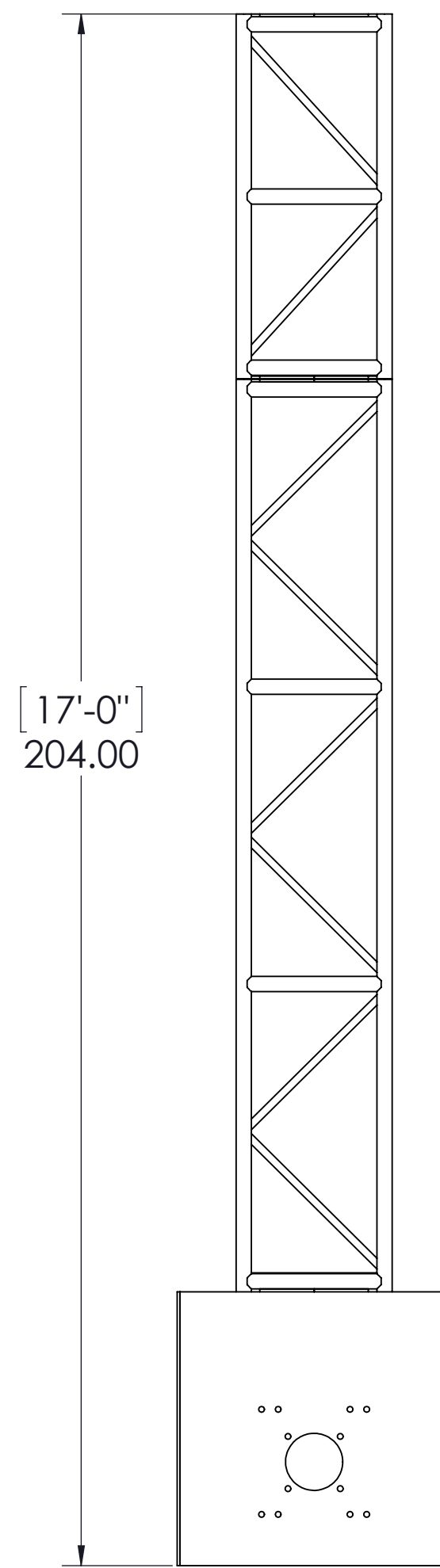
PLAN VIEW

1



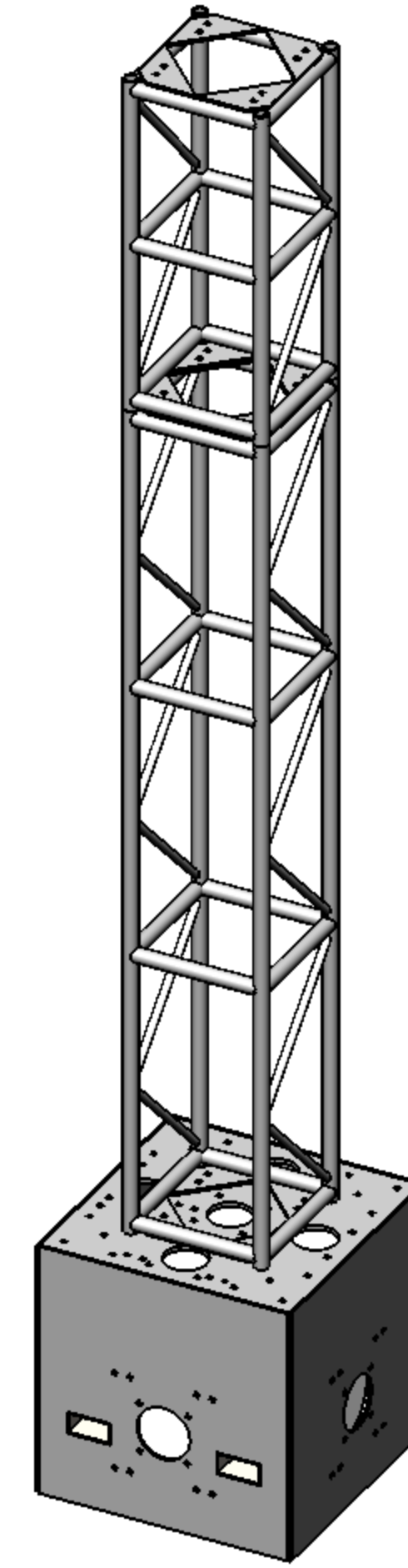
FRONT ELEVATION VIEW

2



SIDE ELEVATION VIEW

3



NOTES: UNLESS OTHERWISE SPECIFIED

PROJECT NAME: GALLAGHER TRUSS TOWER

DRAWING TITLE: GALLAGHER TRUSS TOWER - 20.5IN TRUSS 17FT TALL VERT

PROJECT NUMBER:

DRAWN BY: AARON SANCHEZ

DATE: 12/14/2015

REVISION: V1

SCALE: 1 TO 20
ON 11 X 17 PAGE

GALLAGHER STAGING & PRODUCTIONS
15701 HERON AVE
LA MIRADA, CA 90638

