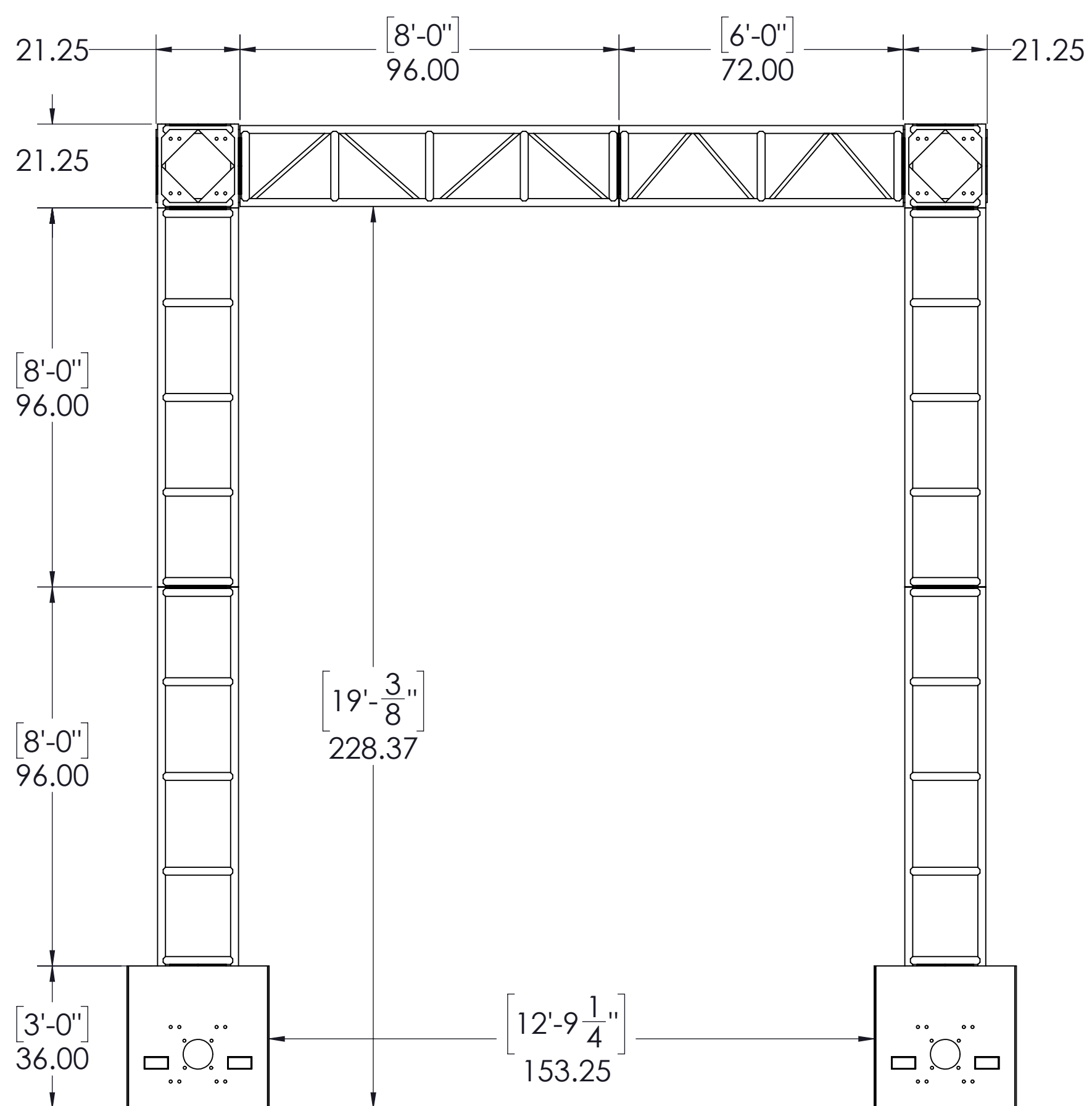
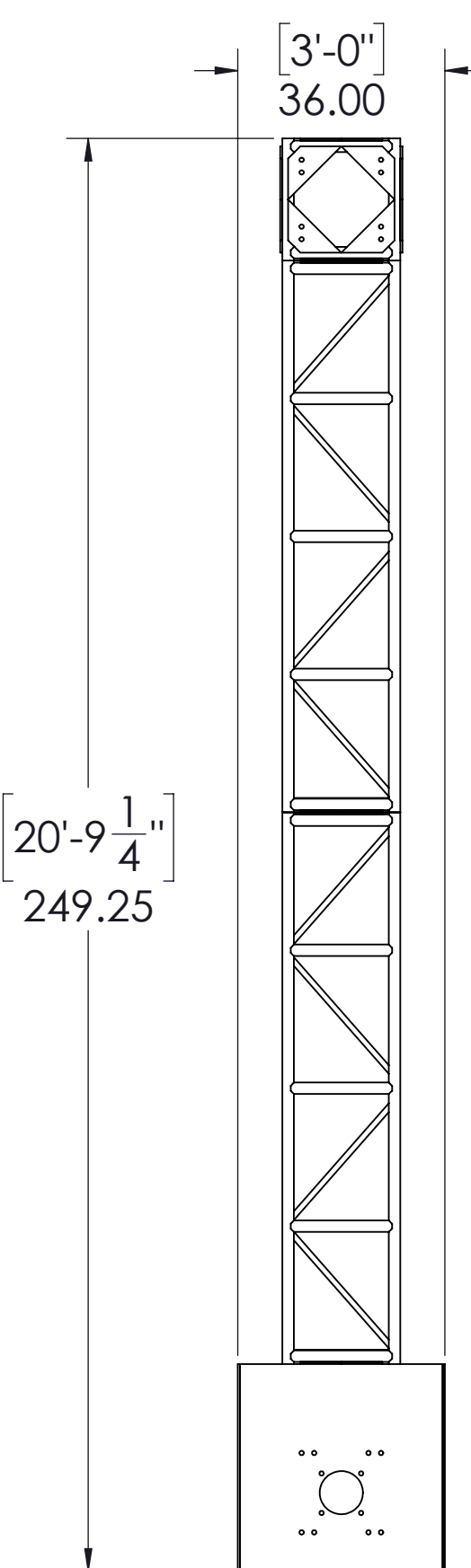


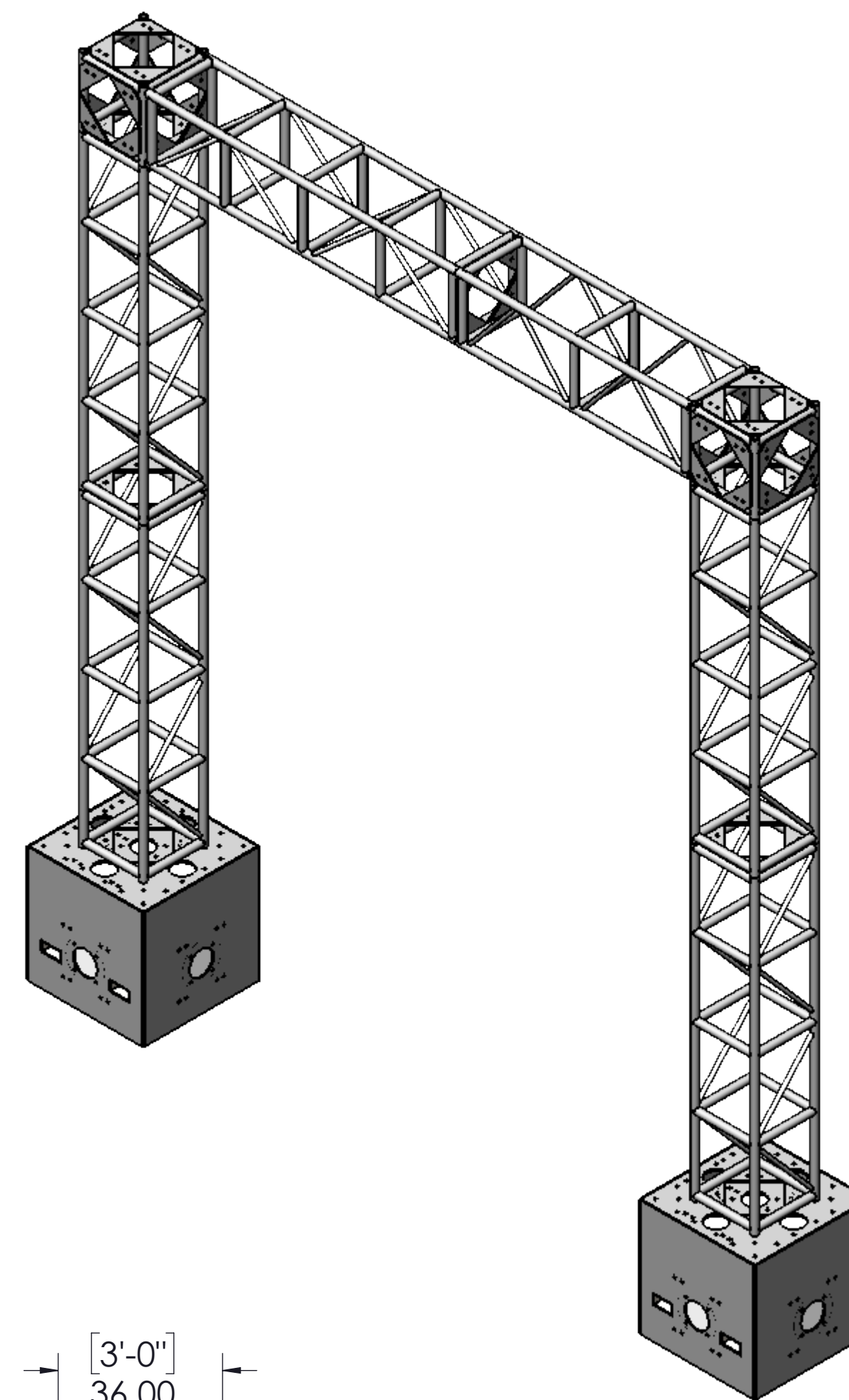
PLAN VIEW



FRONT ELEVATION VIEW



SIDE ELEVATION VIEW



NOTES: UNLESS OTHERWISE SPECIFIED

**GALLAGHER STAGING & PRODUCTIONS**  
 15701 HERON AVE  
 LA MIRADA, CA 90638



PROJECT NAME: GALLAGHER TRUSS ARCH

DRAWING TITLE: GALLAGHER TRUSS ARCH - 14FT X 19FT I.D. 20.5IN

PROJECT NUMBER:

DRAWN BY: AARON SANCHEZ

DATE: 12/14/2015

REVISION: V1

SCALE: 1 TO 30  
 ON 11 X 17 PAGE