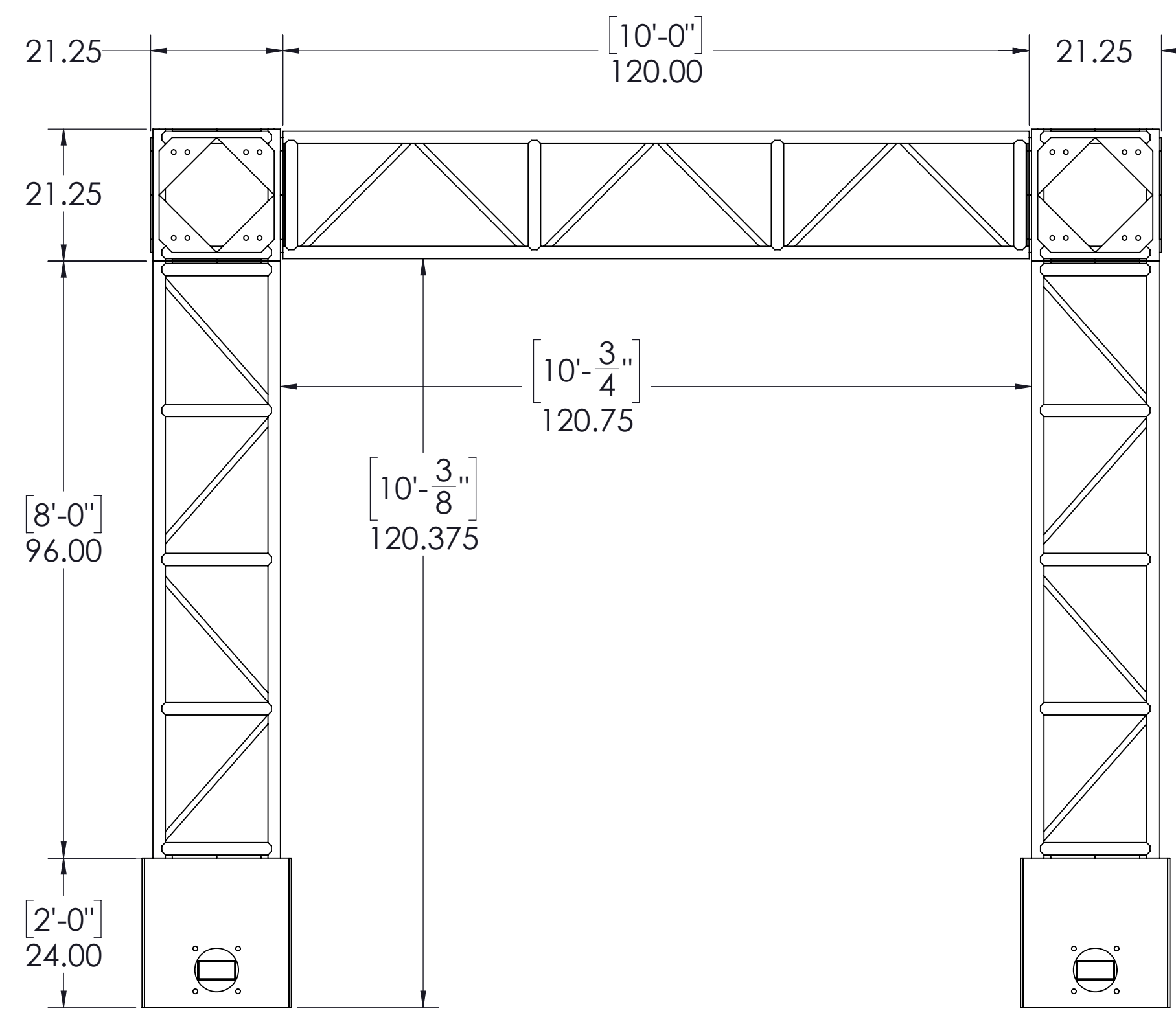


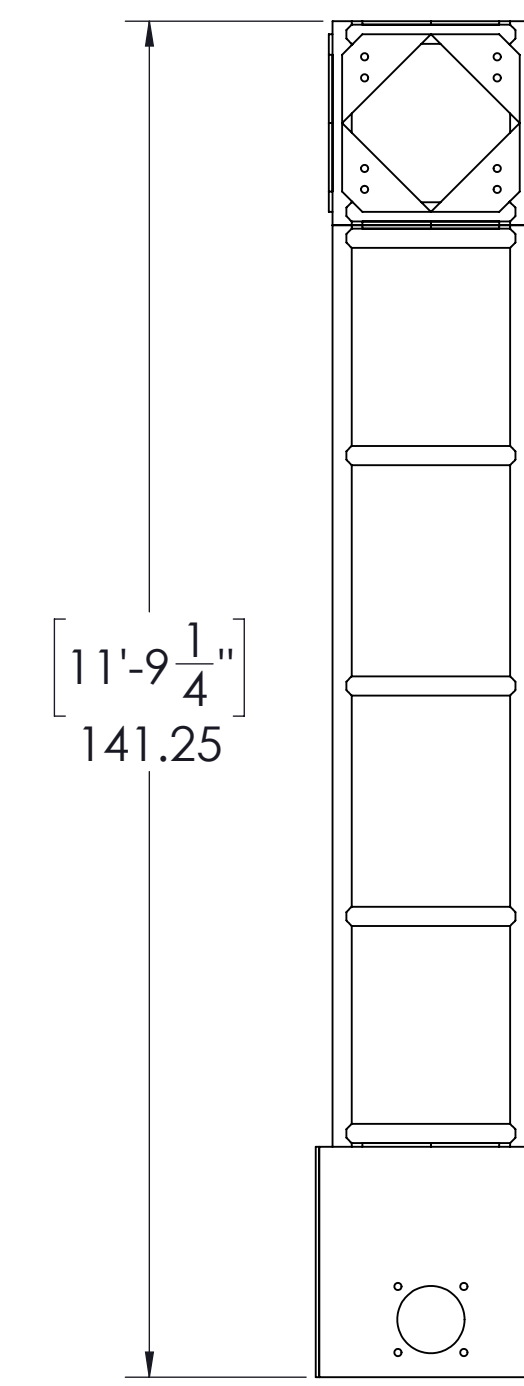
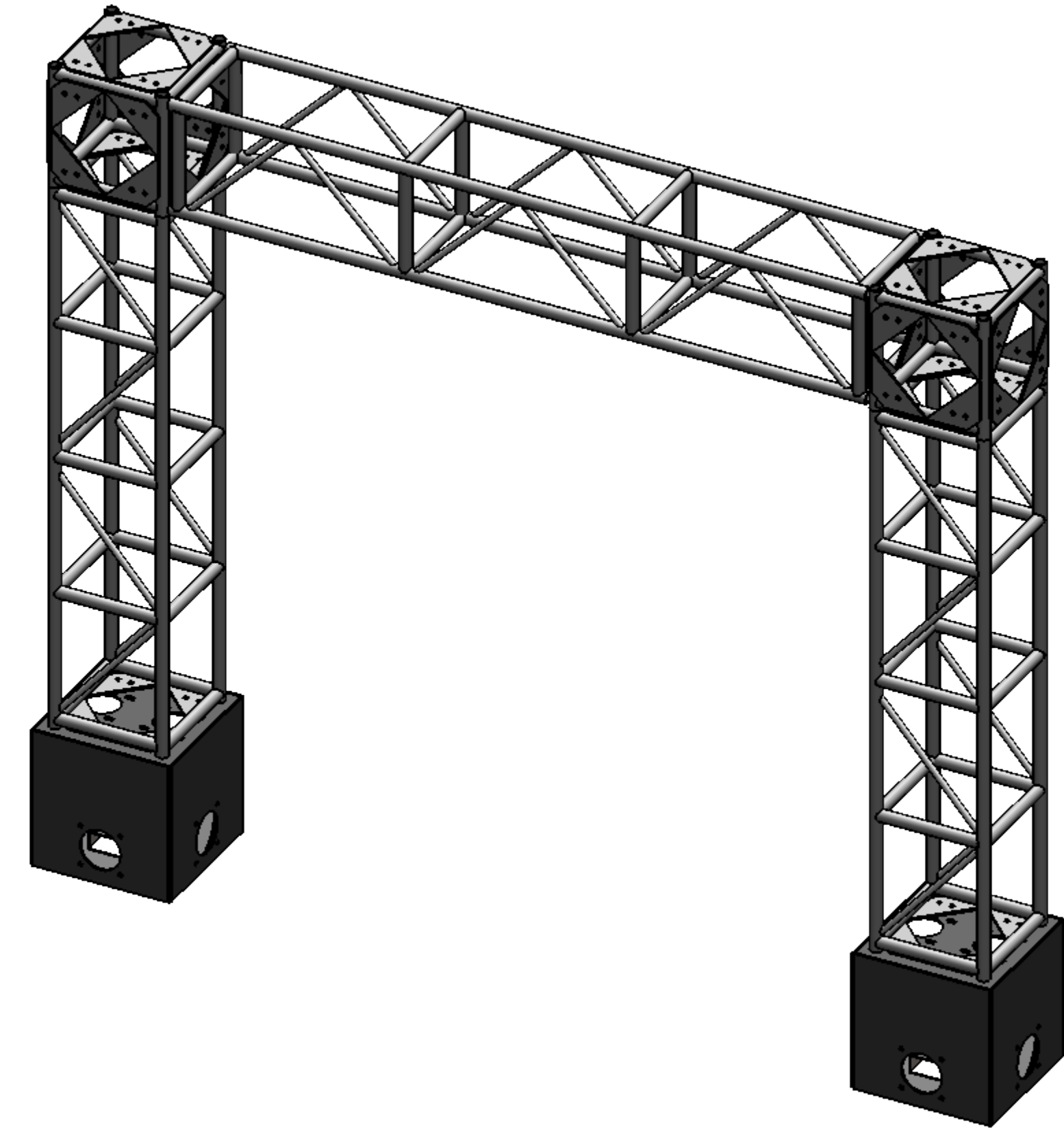
PLAN VIEW

1



FRONT ELEVATION VIEW

2



SIDE ELEVATION VIEW

3

NOTES: UNLESS OTHERWISE SPECIFIED

DATE: 01/26/2015
 REVISION: V1
 SCALE: 1 TO 20
 ON 11 X 17 PAGE

PROJECT NAME: GALLAGHER TRUSS ARCH
 DRAWING TITLE: GALLAGHER TRUSS ARCH - 10FT X 10FT I.D.
 PROJECT NUMBER:
 DRAWN BY: AARON SANCHEZ

GALLAGHER STAGING & PRODUCTIONS
 15701 HERON AVE
 LA MIRADA, CA 90638

