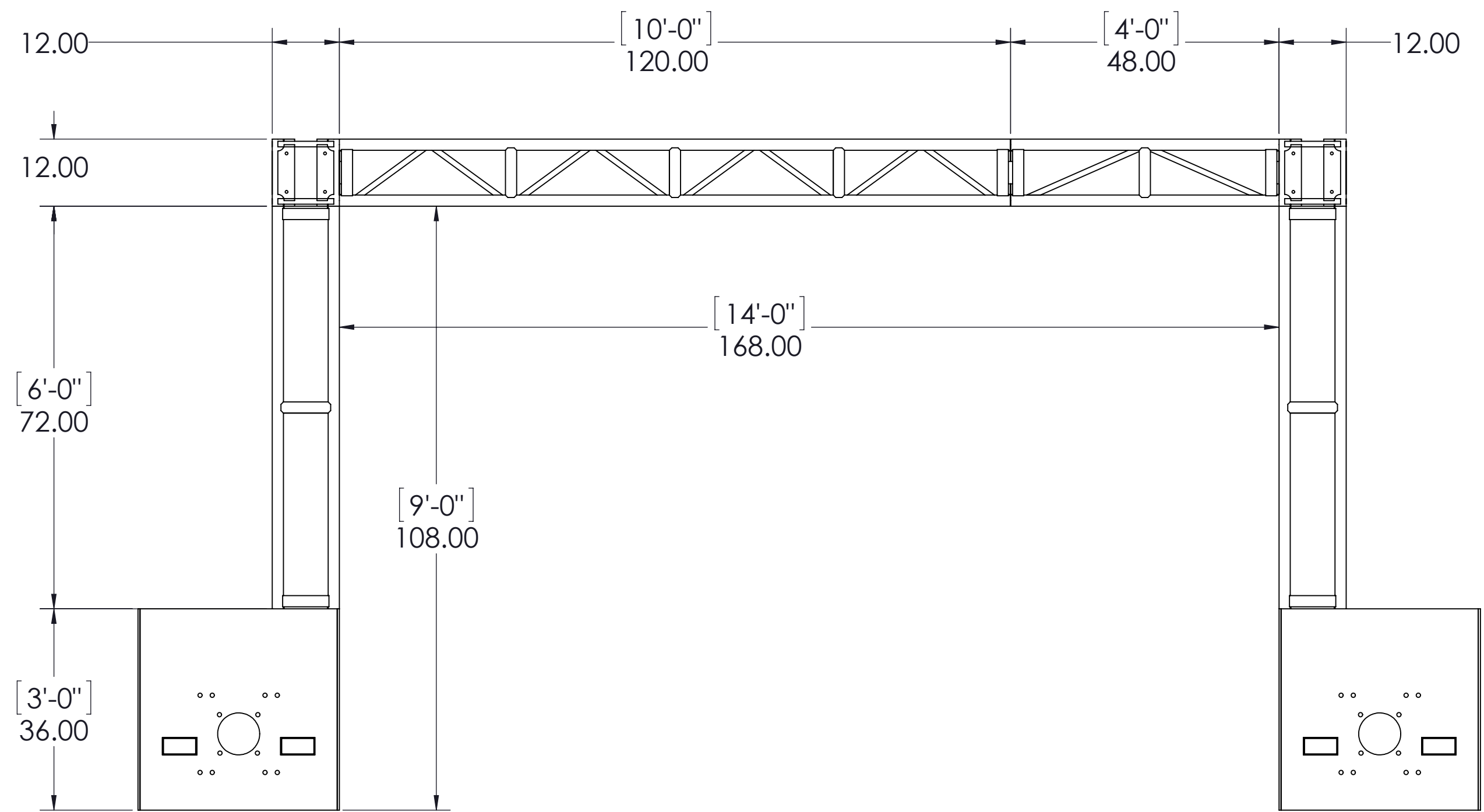
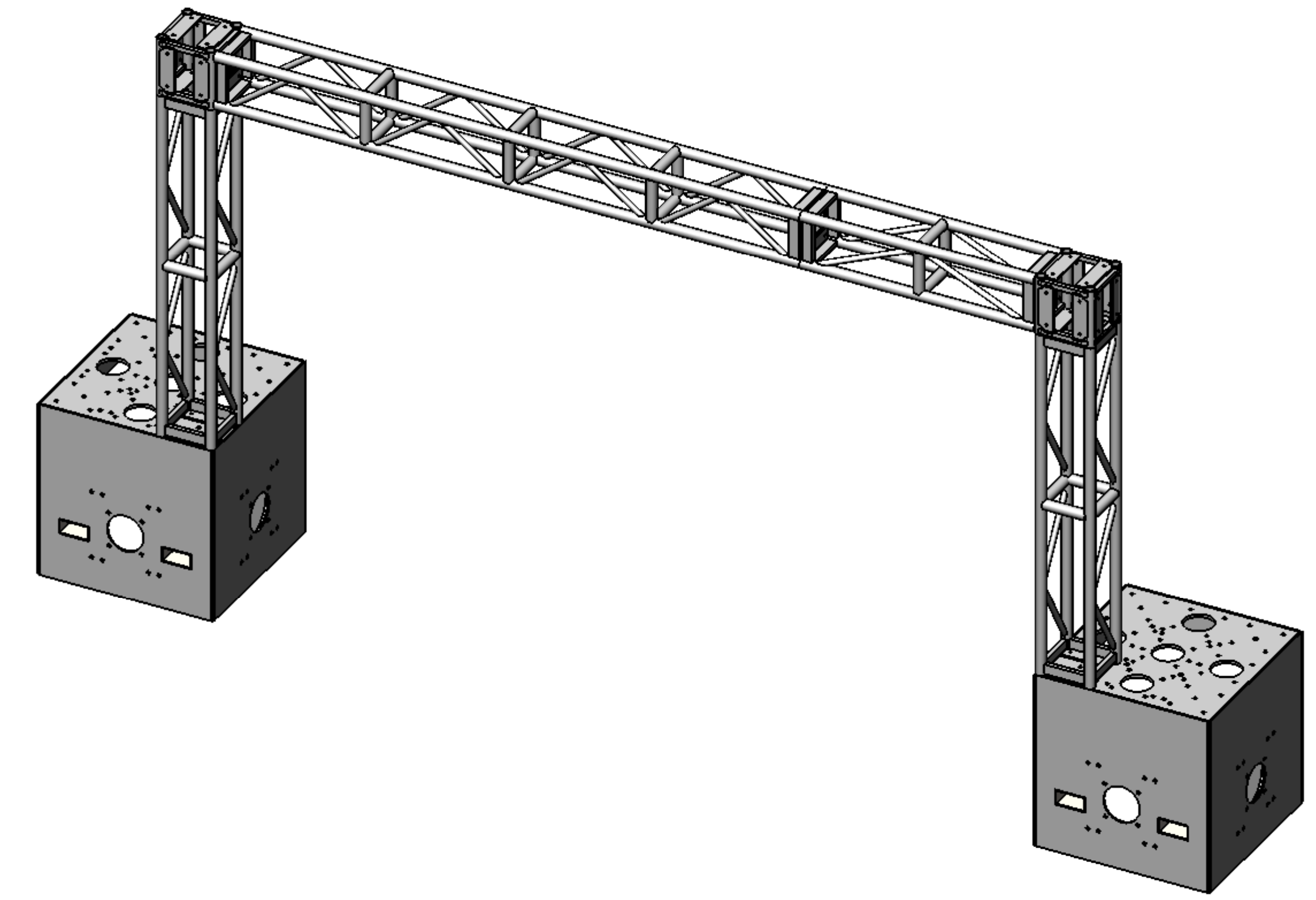
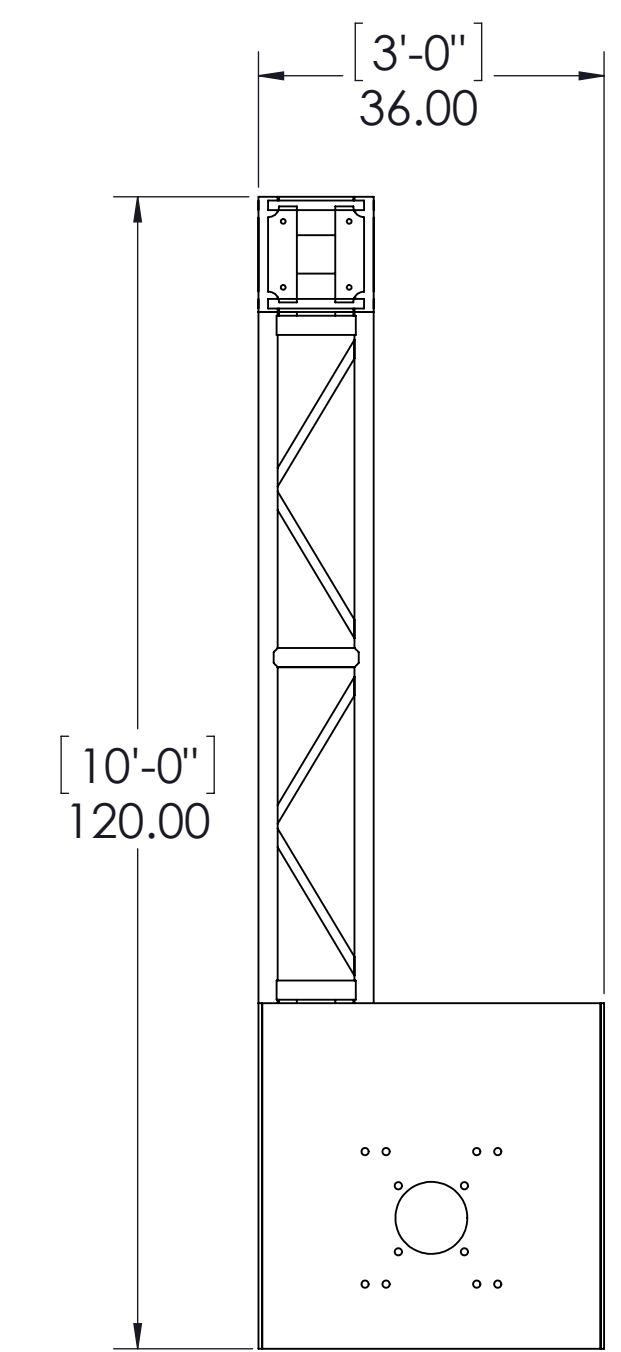


PLAN VIEW 1



FRONT ELEVATION VIEW 2



SIDE ELEVATION VIEW 3

NOTES: UNLESS OTHERWISE SPECIFIED

PROJECT NAME: GALLAGHER TRUSS ARCH	DATE: 11/24/2015
DRAWING TITLE: GALLAGHER TRUSS ARCH - 9FT X 14FT I.D.	REVISION: V1
PROJECT NUMBER:	SCALE: 1 TO 20
DRAWN BY: AARON SANCHEZ	ON 11 X 17 PAGE

GALLAGHER STAGING & PRODUCTIONS
 15701 HERON AVE
 LA MIRADA, CA 90638

