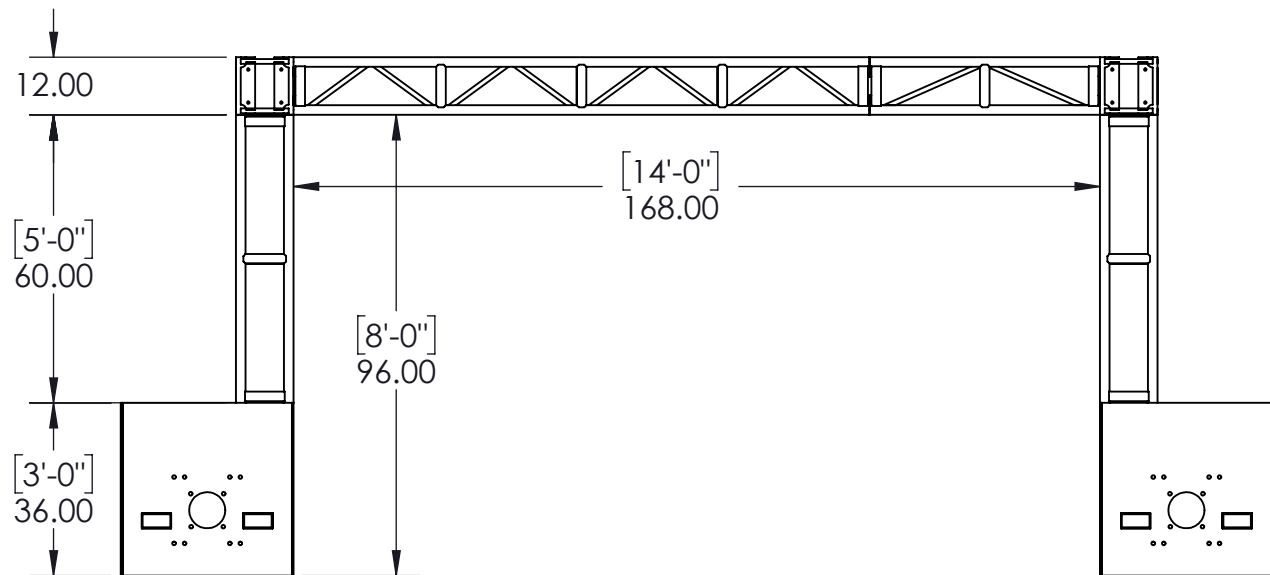


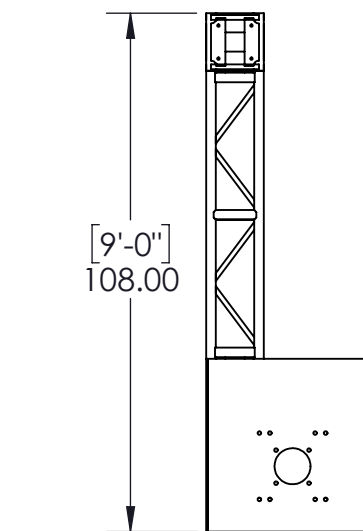
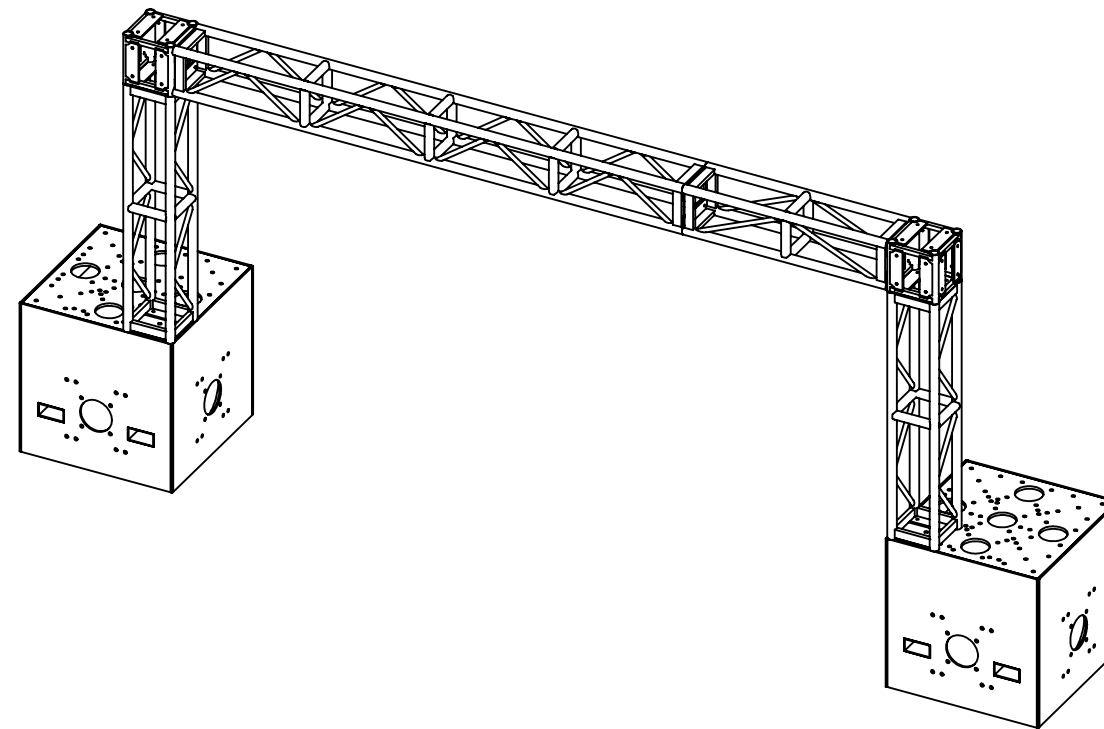
PLAN

2



FRONT ELEVATION

1



END ELEVATION

3

Weight: LBS



GALLAGHER STAGING & PRODUCTIONS
 15701 Heron Ave,
 La Mirada,
 CA 90628
 TEL : +1 (714) 690 1559
 www.gallagherstaging.com



Project Name: Gallagher

Drawing Name: Gallagher-12in Truss Arch

Project Number: RQXX

Drawn by: AARON SANCHEZ

Drawing Number: Gallagher 12in Truss Arch 8ftX14ft I.D. G-FIC

Date: 11/16/2016

Scale: 1:40 @ 11in x 17in

Rev Date: 12/9/2016

Sheet: 1 of 1

Rev: 1