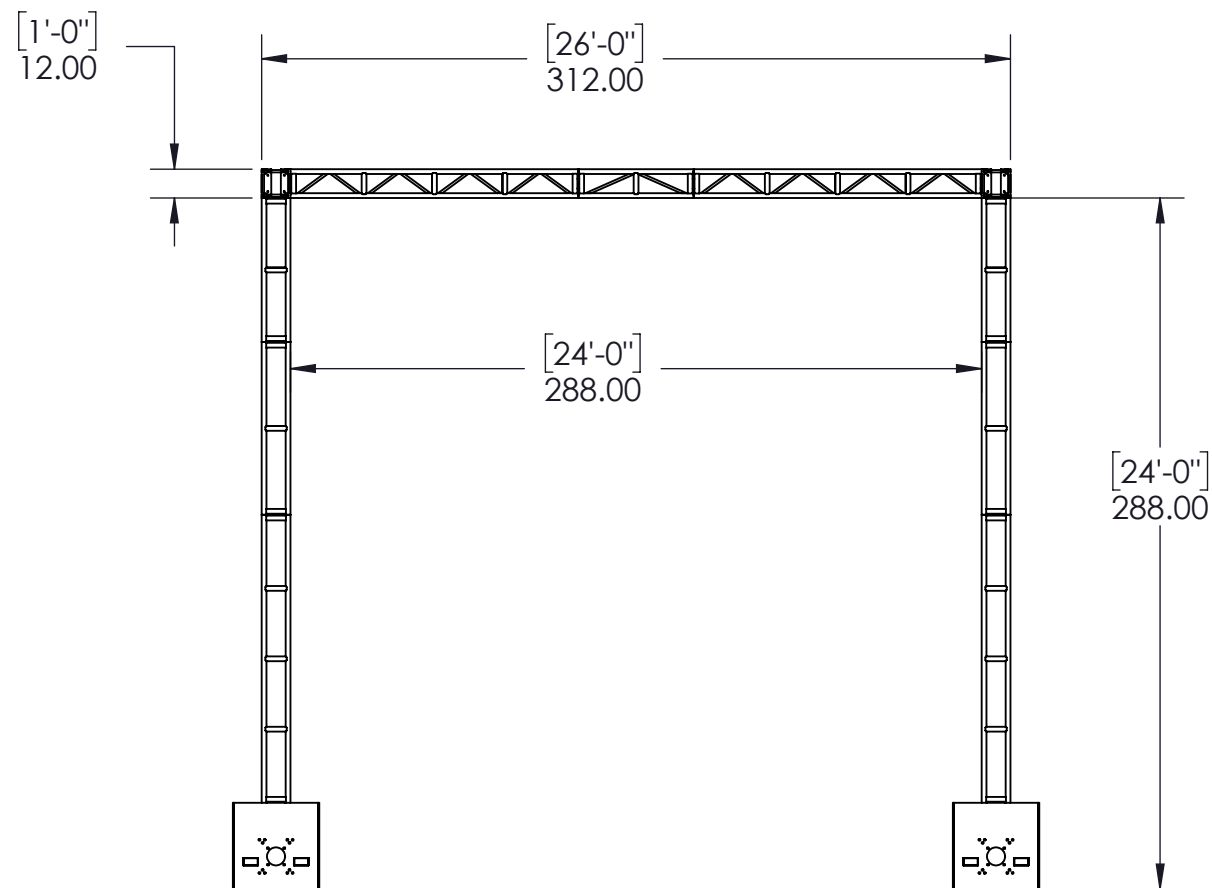


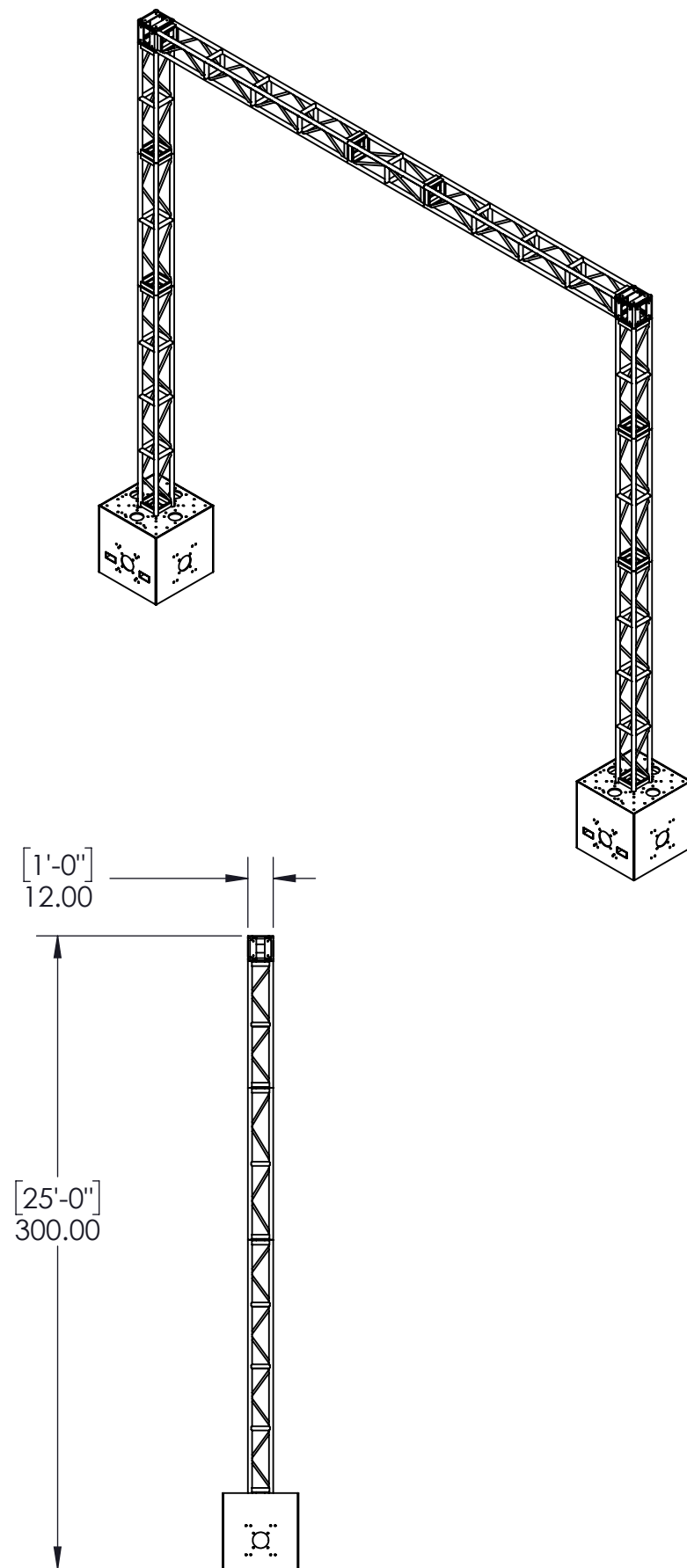
PLAN

2



FRONT ELEVATION

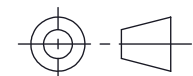
1



END ELEVATION

3

Weight: LBS



GALLAGHER STAGING & PRODUCTIONS
 15701 Heron Ave,
 La Mirada,
 CA 90628
 TEL : +1 (714) 690 1559
 www.gallagherstaging.com



Project Name: Gallagher

Drawing Name: Gallagher 12in truss 24ft x 24ft I.D. MG-FI

Project Number: RQXX

Drawn by: Dan Pace

Drawing Number: Gallagher 12in truss 24ft x 24ft I.D. MG-FI

Date: 4/5/2017

Scale: 1:80 @ 11in x 17in

Rev Date: 5/3/2017

Sheet: 1 of 1

Rev: 1