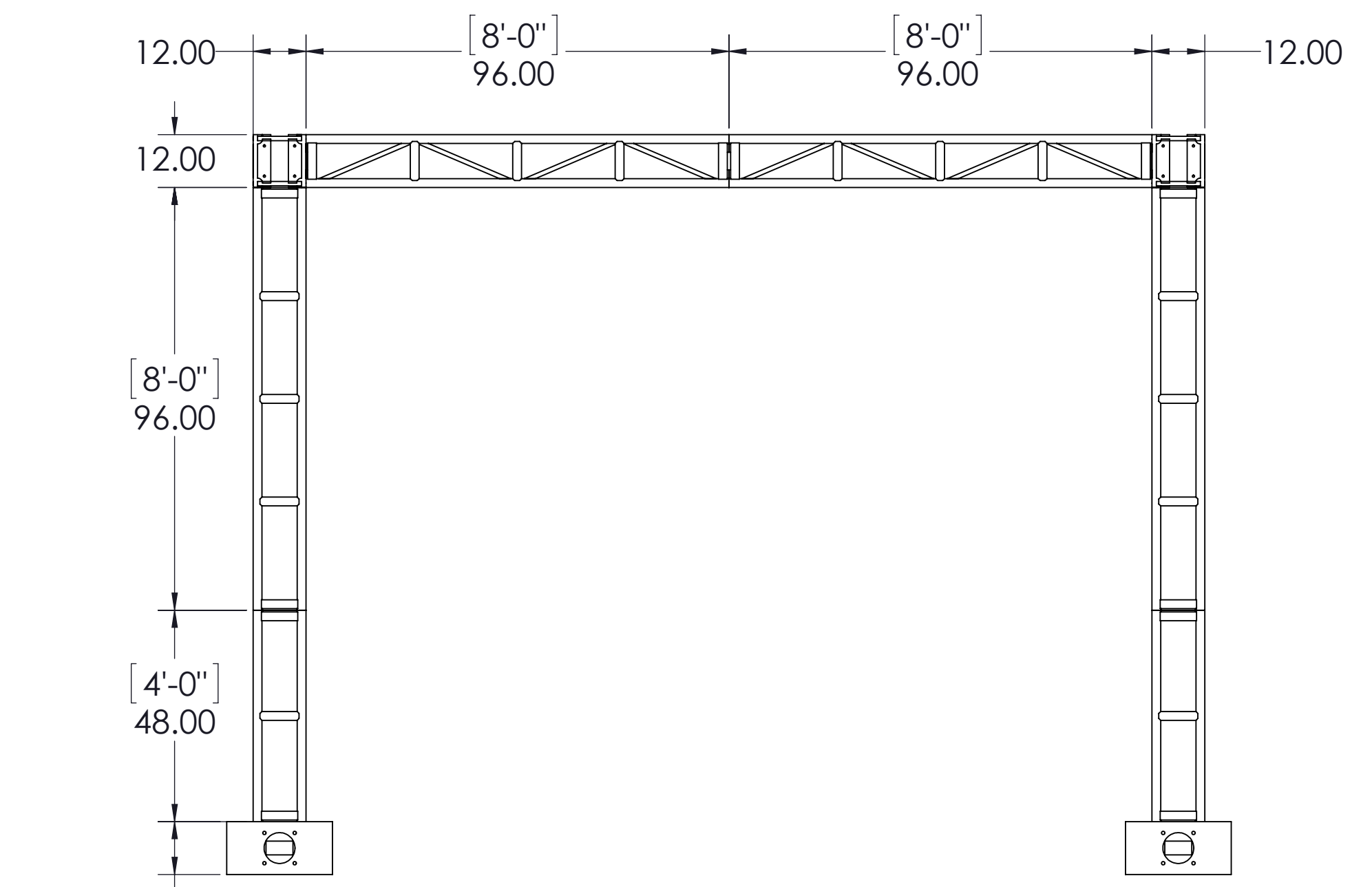
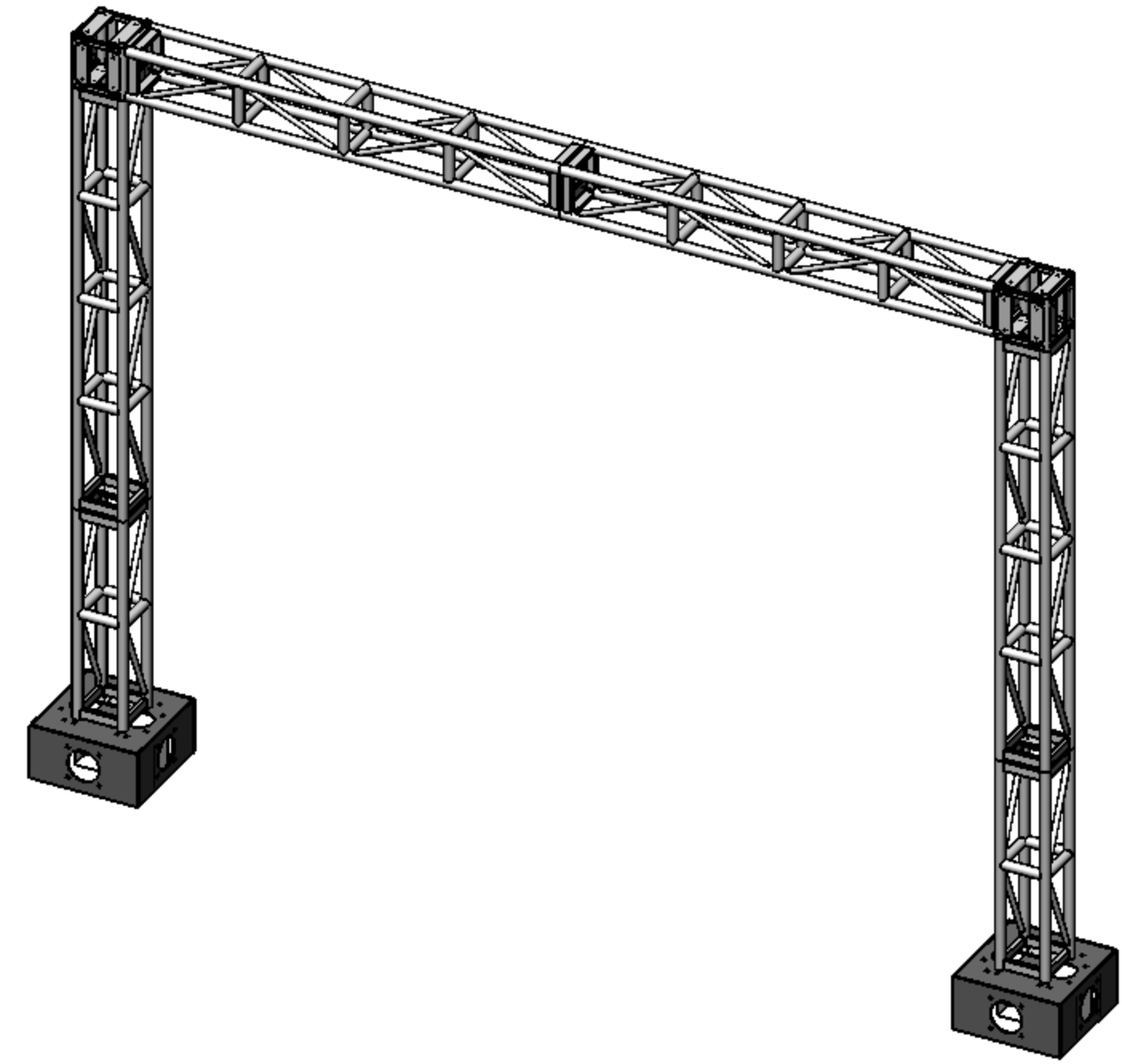
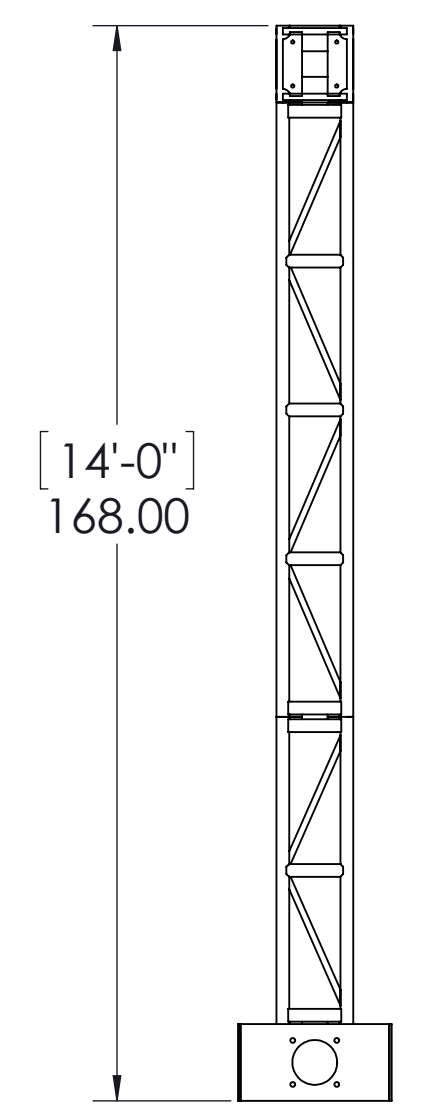


PLAN VIEW 1



FRONT ELEVATION VIEW 2



SIDE ELEVATION VIEW 3

NOTES: UNLESS OTHERWISE SPECIFIED

PROJECT NAME: 16FT X 13FT TALL - 12IN TRUSS ARCH	DATE: 09/25/2015
DRAWING TITLE: 16FT X 13FT TALL - 12IN TRUSS ARCH W/MICRO G-BLOCKS	REVISION: V1
PROJECT NUMBER:	SCALE: 1 TO 30
DRAWN BY: AARON SANCHEZ	ON 11 X 17 PAGE

GALLAGHER STAGING & PRODUCTIONS  
 15701 HERON AVE  
 LA MIRADA, CA 90638

