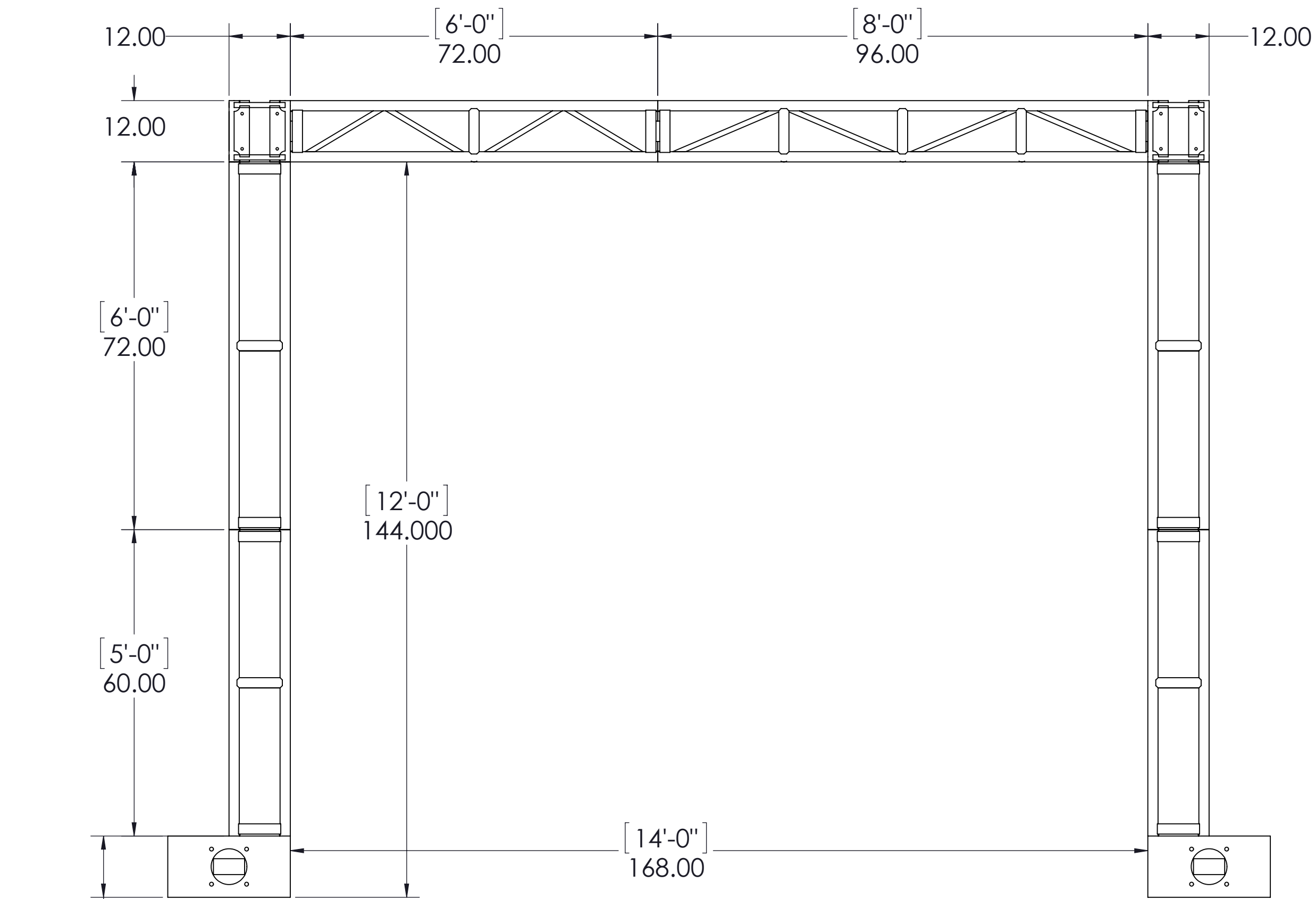
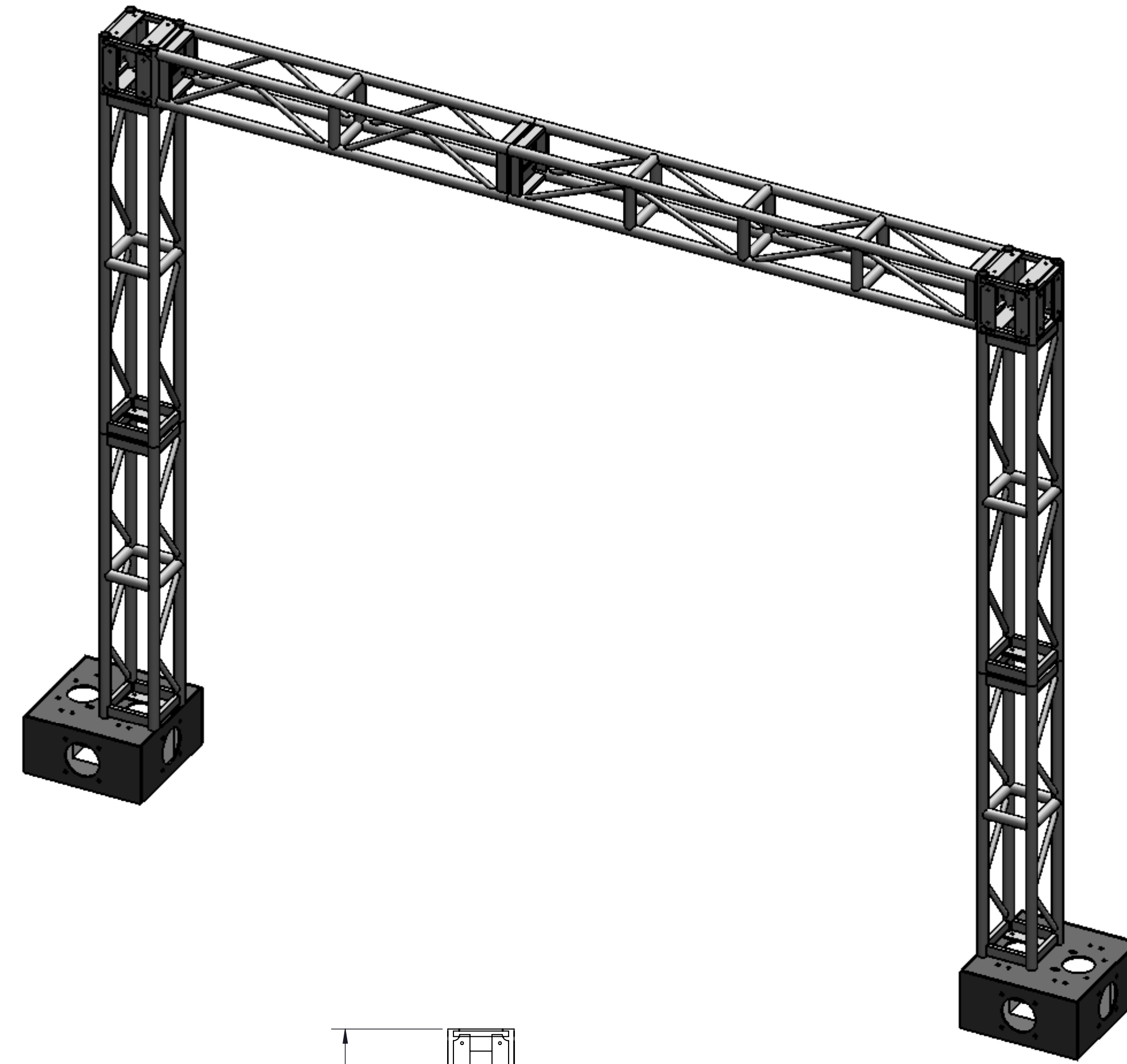
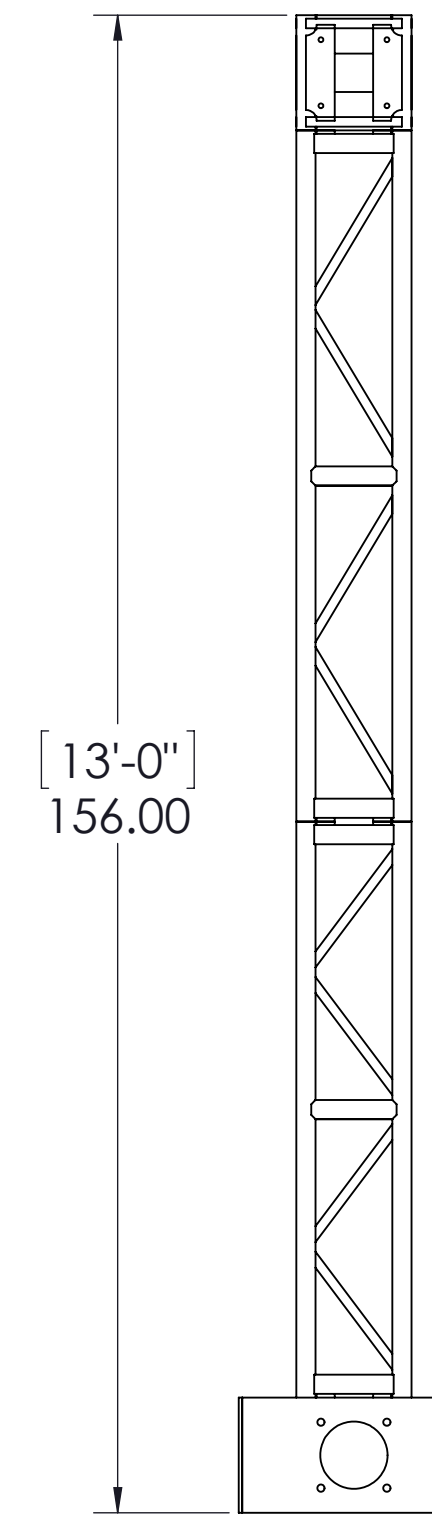


PLAN VIEW 1



FRONT ELEVATION VIEW 2



SIDE ELEVATION VIEW 3

NOTES: UNLESS OTHERWISE SPECIFIED

DATE: 10/20/2015  
 REVISION: V1  
 SCALE: 1 TO 20  
 ON 11 X 17 PAGE

PROJECT NAME: GALLAGHER TRUSS ARCH  
 DRAWING TITLE: GALLAGHER TRUSS ARCH - 14FT X 12FT I.D. MICRO G-BLOCK  
 PROJECT NUMBER:  
 DRAWN BY: AARON SANCHEZ

GALLAGHER STAGING & PRODUCTIONS  
 15701 HERON AVE  
 LA MIRADA, CA 90638

