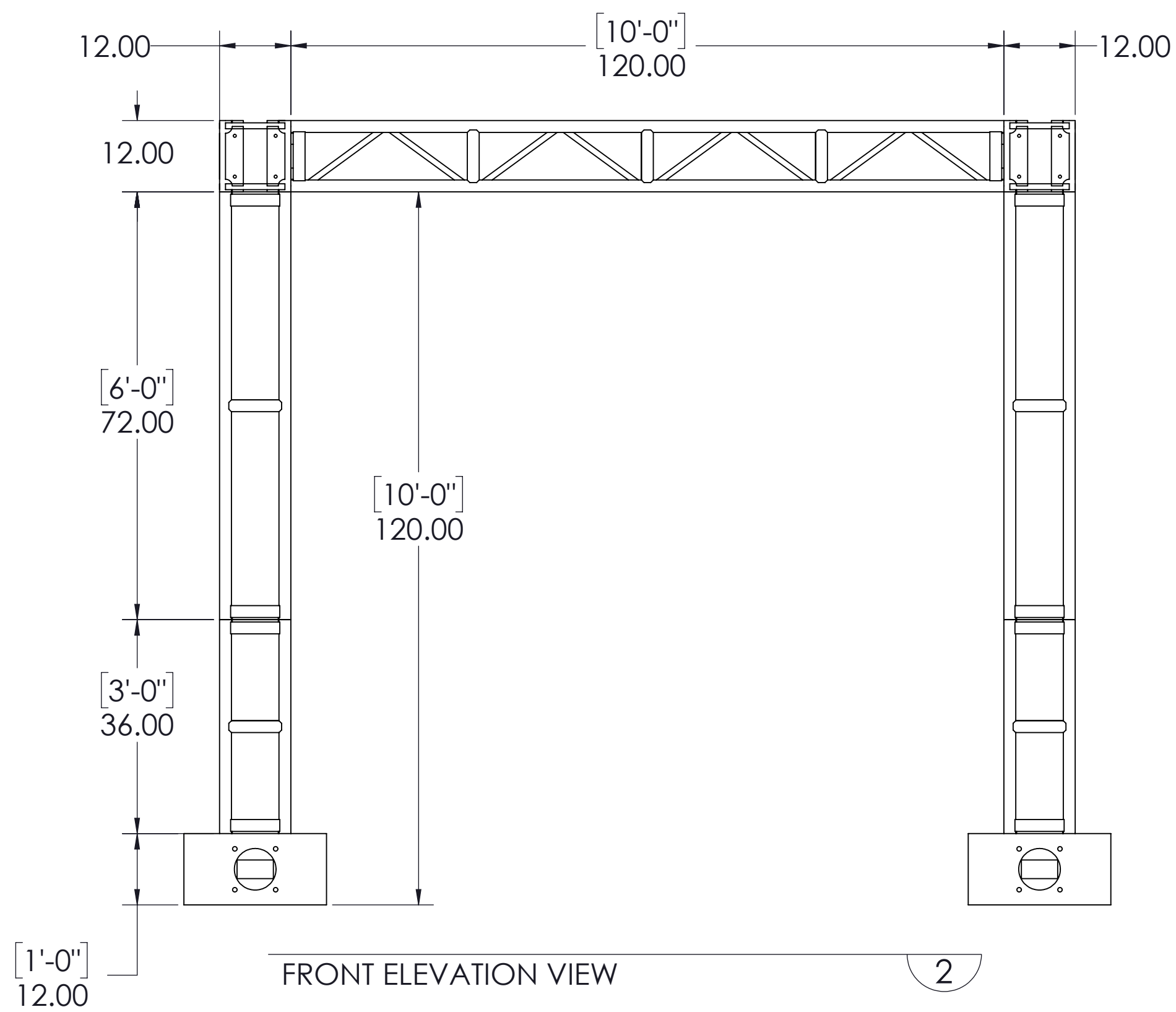
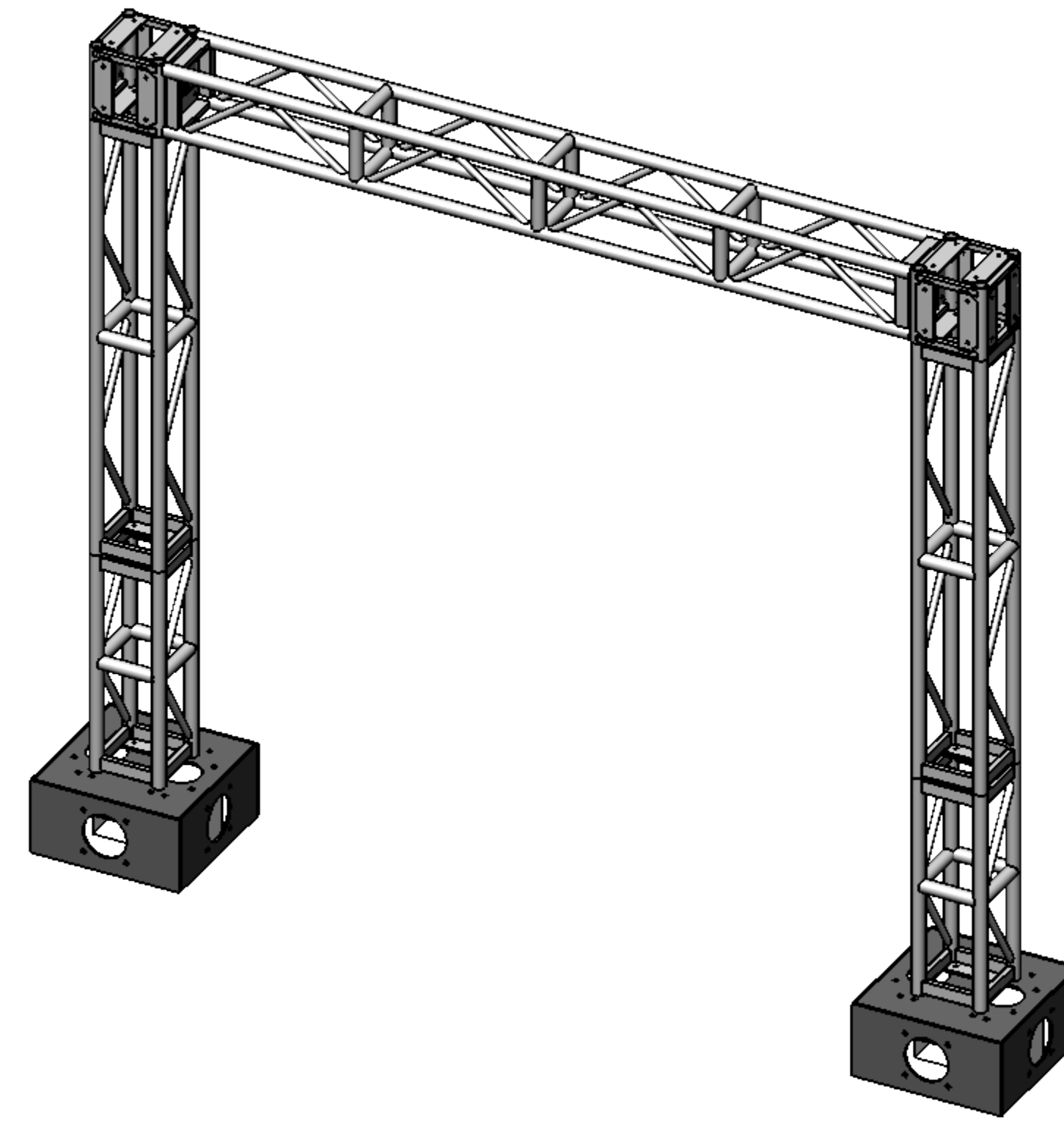


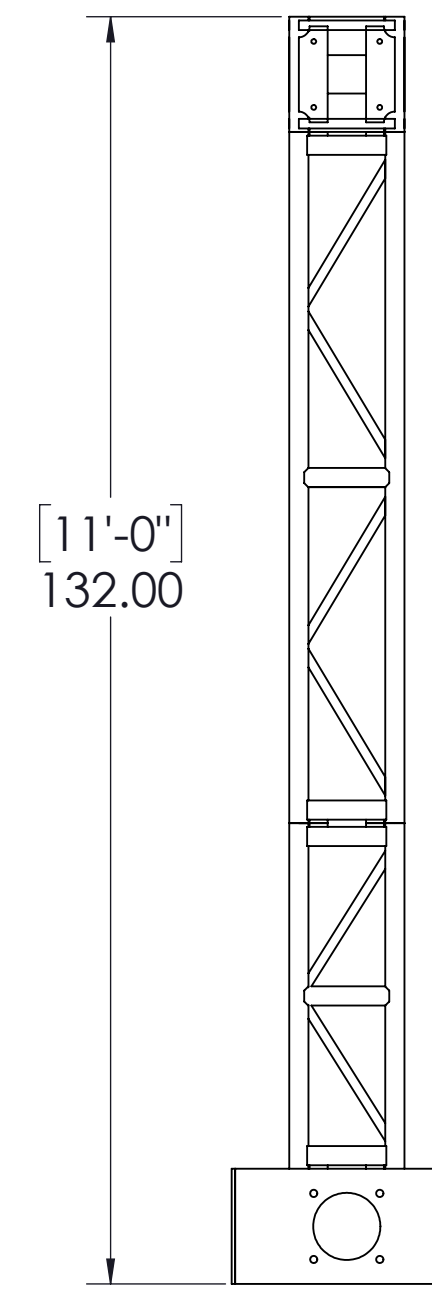
PLAN VIEW

1



FRONT ELEVATION VIEW

2



SIDE ELEVATION VIEW

3

NOTES: UNLESS OTHERWISE SPECIFIED

PROJECT NAME: GALLAGHER
 DRAWING TITLE: GALLAGHER - 12IN TRUSS ARCH 10FTX10FT ID MICRO
 PROJECT NUMBER:
 DRAWN BY: AARON SANCHEZ

DATE: 09/09/2016
 REVISION: V1
 SCALE: 1 TO 20
 ON 11 X 17 PAGE

GALLAGHER STAGING & PRODUCTIONS
 15701 HERON AVE
 LA MIRADA, CA 90638

