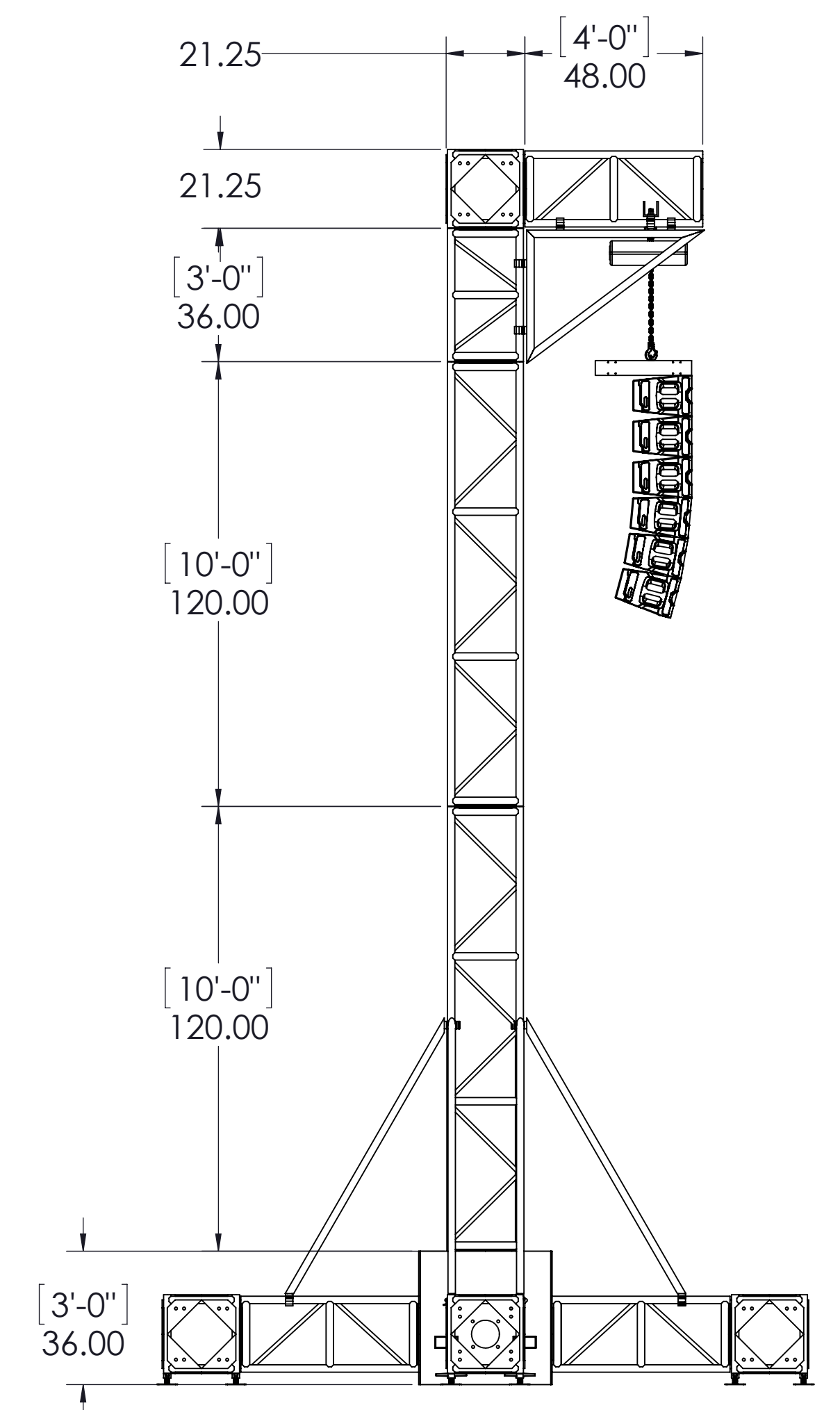
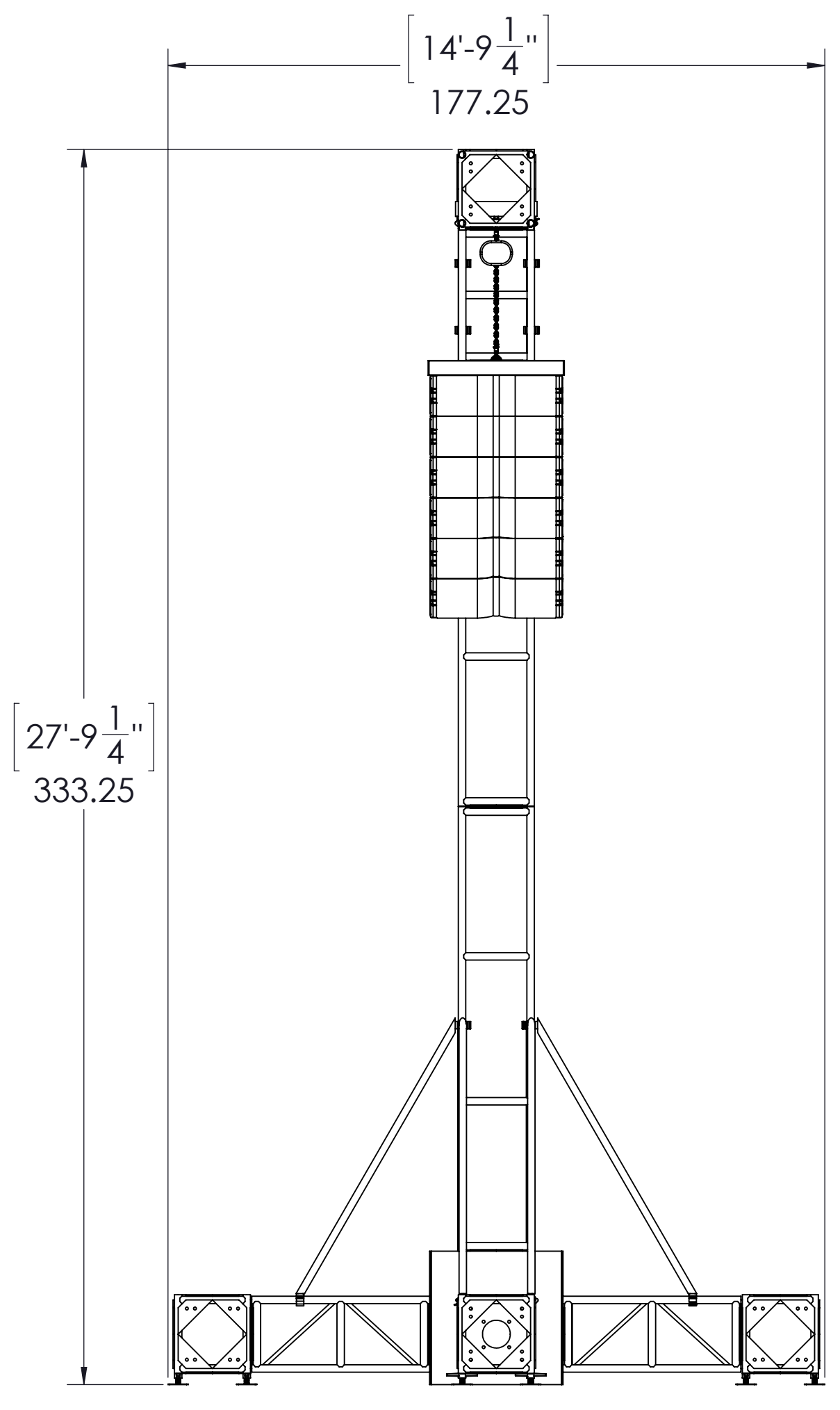


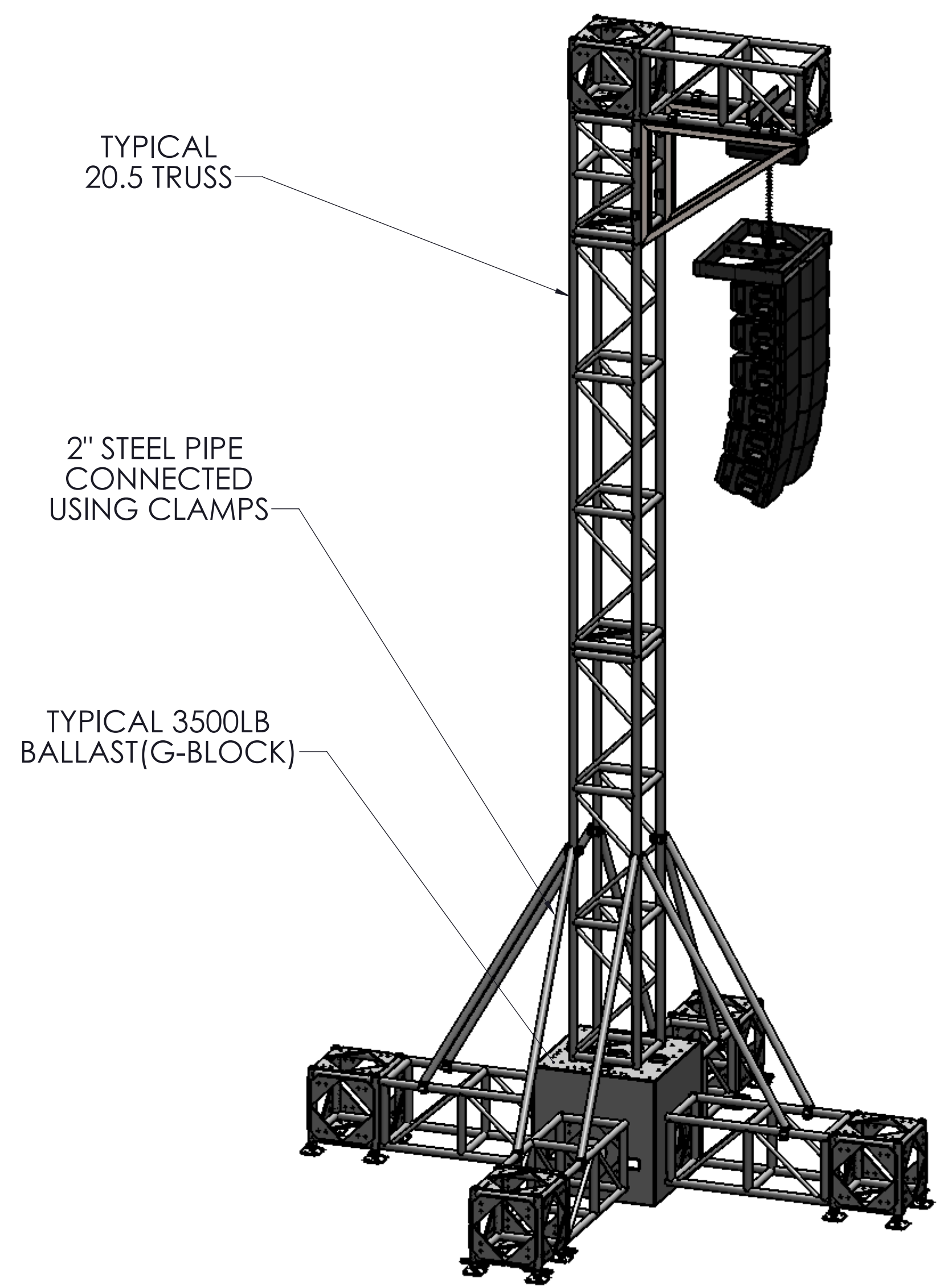
PLAN VIEW 1



FRONT ELEVATION VIEW 2



SIDE ELEVATION VIEW 3



NOTES: UNLESS OTHERWISE SPECIFIED

PROJECT NAME: G-BLOCK TOWER	DATE: 01/22/2015
DRAWING TITLE: G-BLOCK TOWER - 28FT	REVISION: V6
PROJECT NUMBER:	SCALE: 1 TO 36
DRAWN BY: AARON SANCHEZ	ON 11 X 17 PAGE

GALLAGHER STAGING & PRODUCTIONS  
 15701 HERON AVE  
 LA MIRADA, CA 90638

