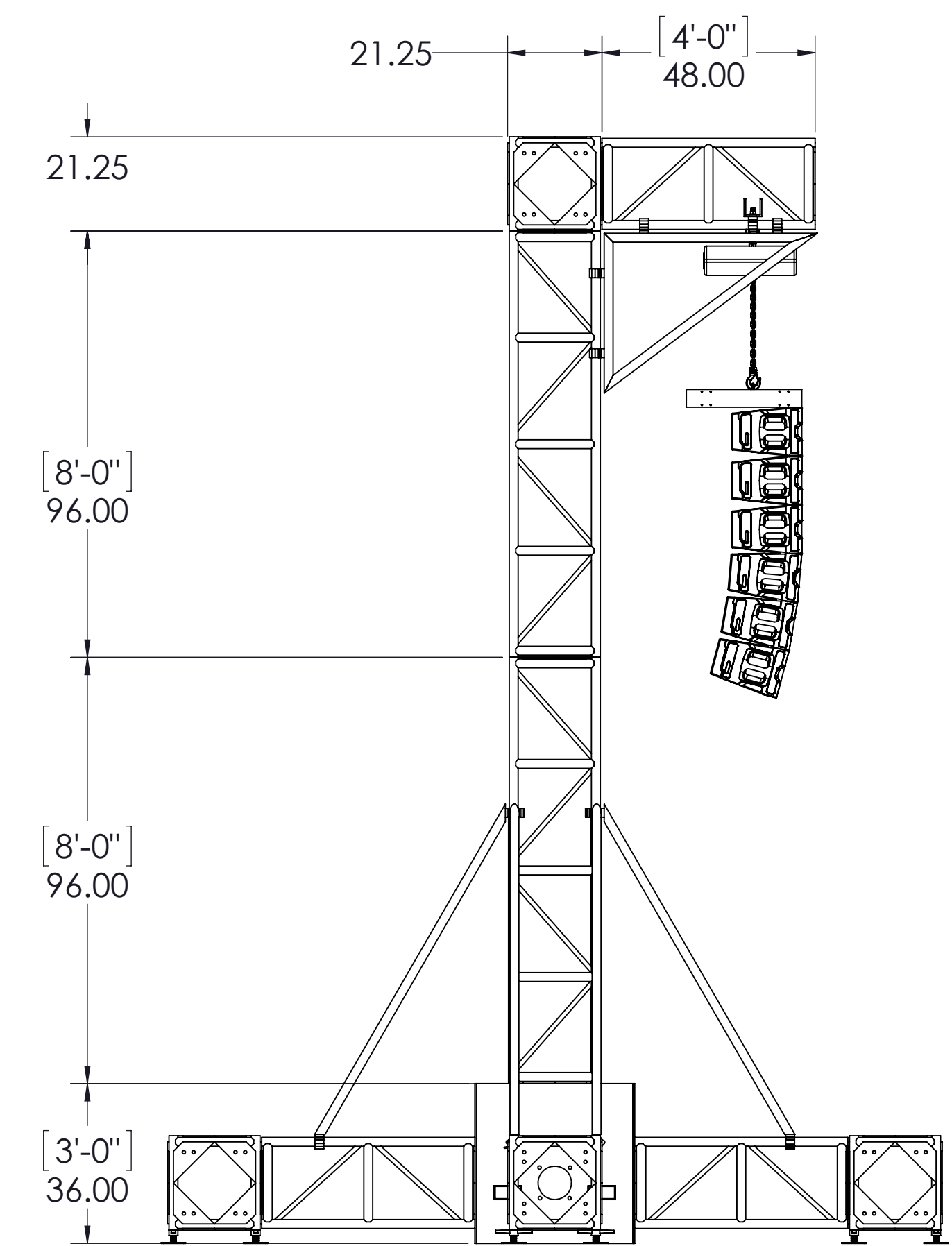


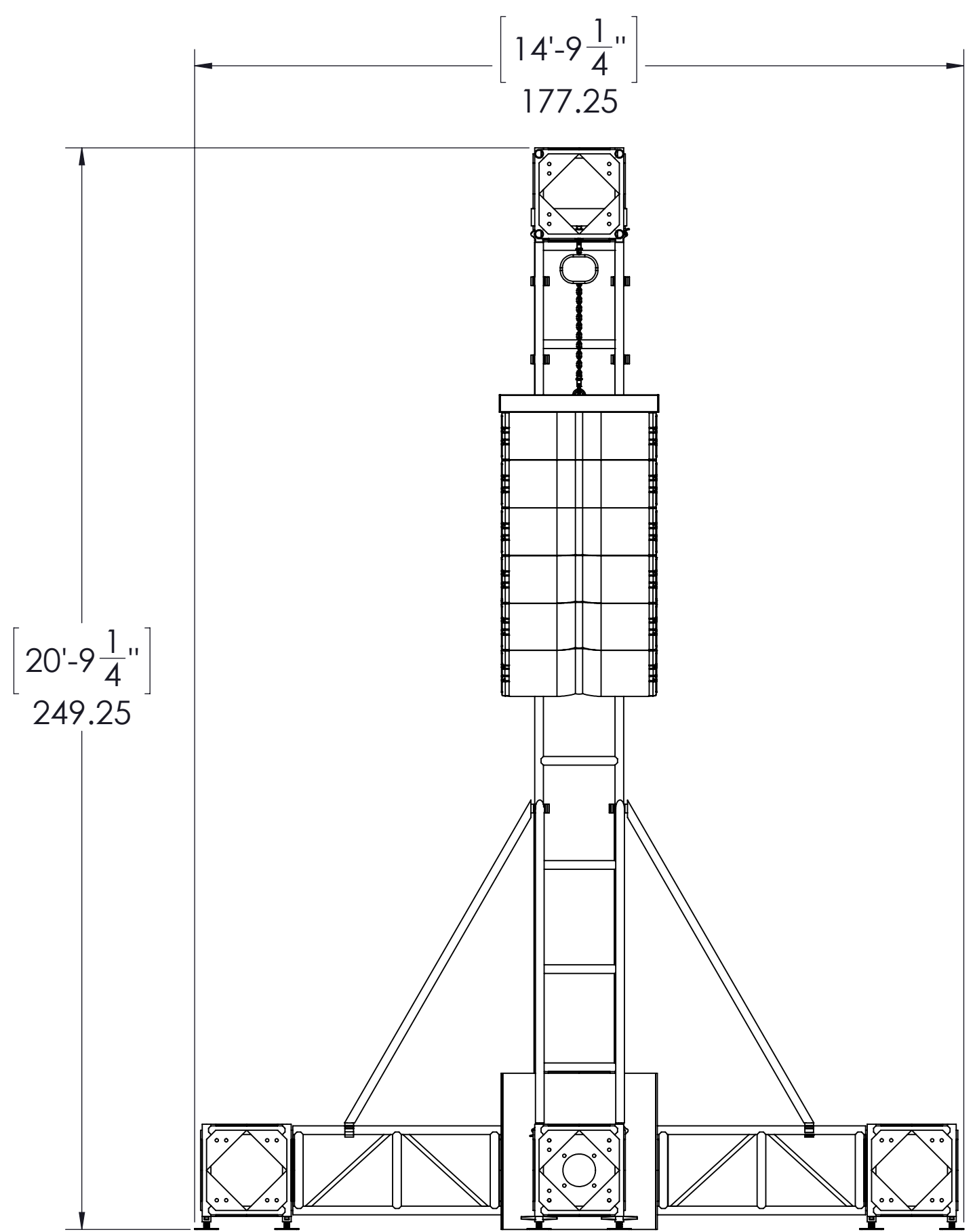
PLAN VIEW

1



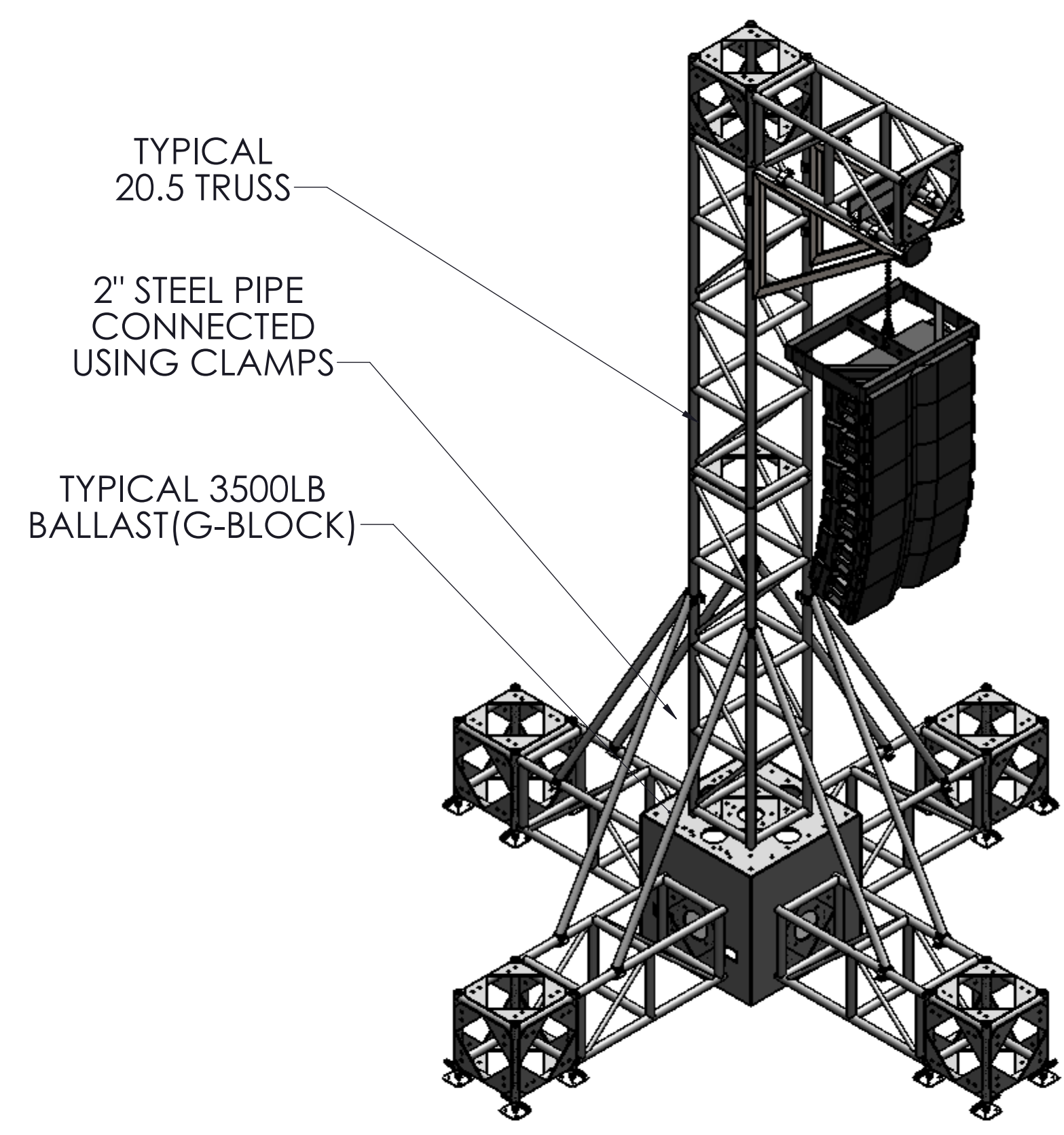
FRONT ELEVATION VIEW

2



SIDE ELEVATION VIEW

3



NOTES: UNLESS OTHERWISE SPECIFIED

PROJECT NAME: G-BLOCK TOWER	DATE: 10/23/2015
DRAWING TITLE: G-BLOCK PA TOWER - 21FT	REVISION: V1
PROJECT NUMBER:	SCALE: 1 TO 30
DRAWN BY: AARON SANCHEZ	ON 11 X 17 PAGE

GALLAGHER STAGING & PRODUCTIONS
 15701 HERON AVE
 LA MIRADA, CA 90638

