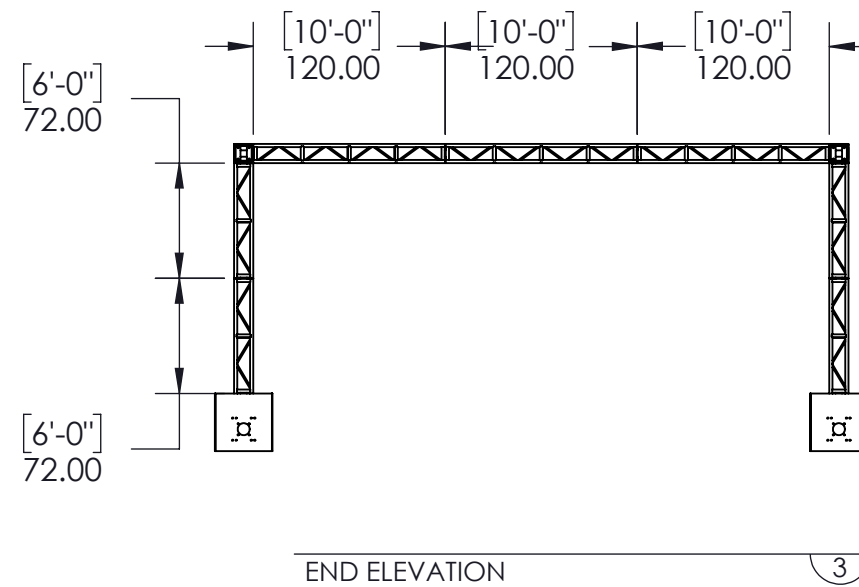
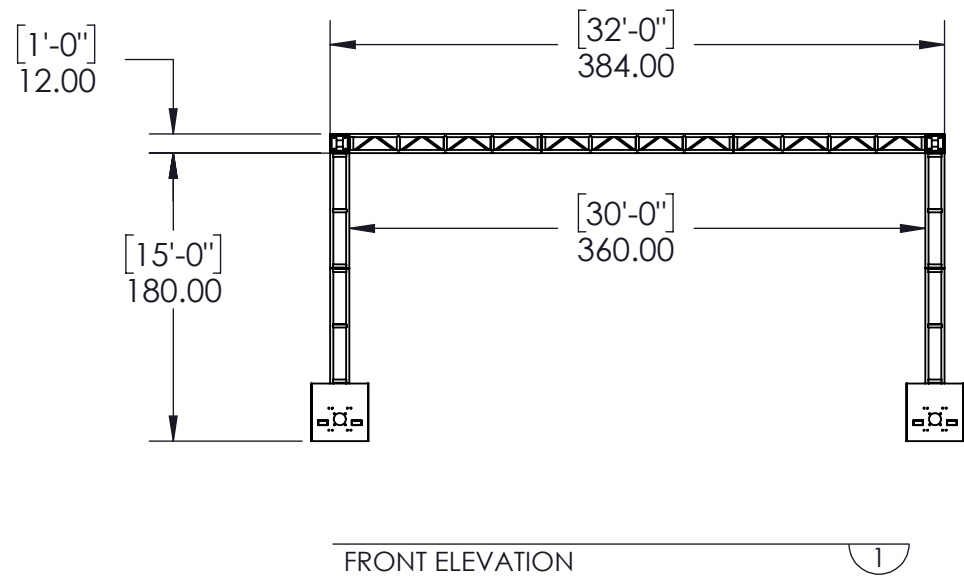
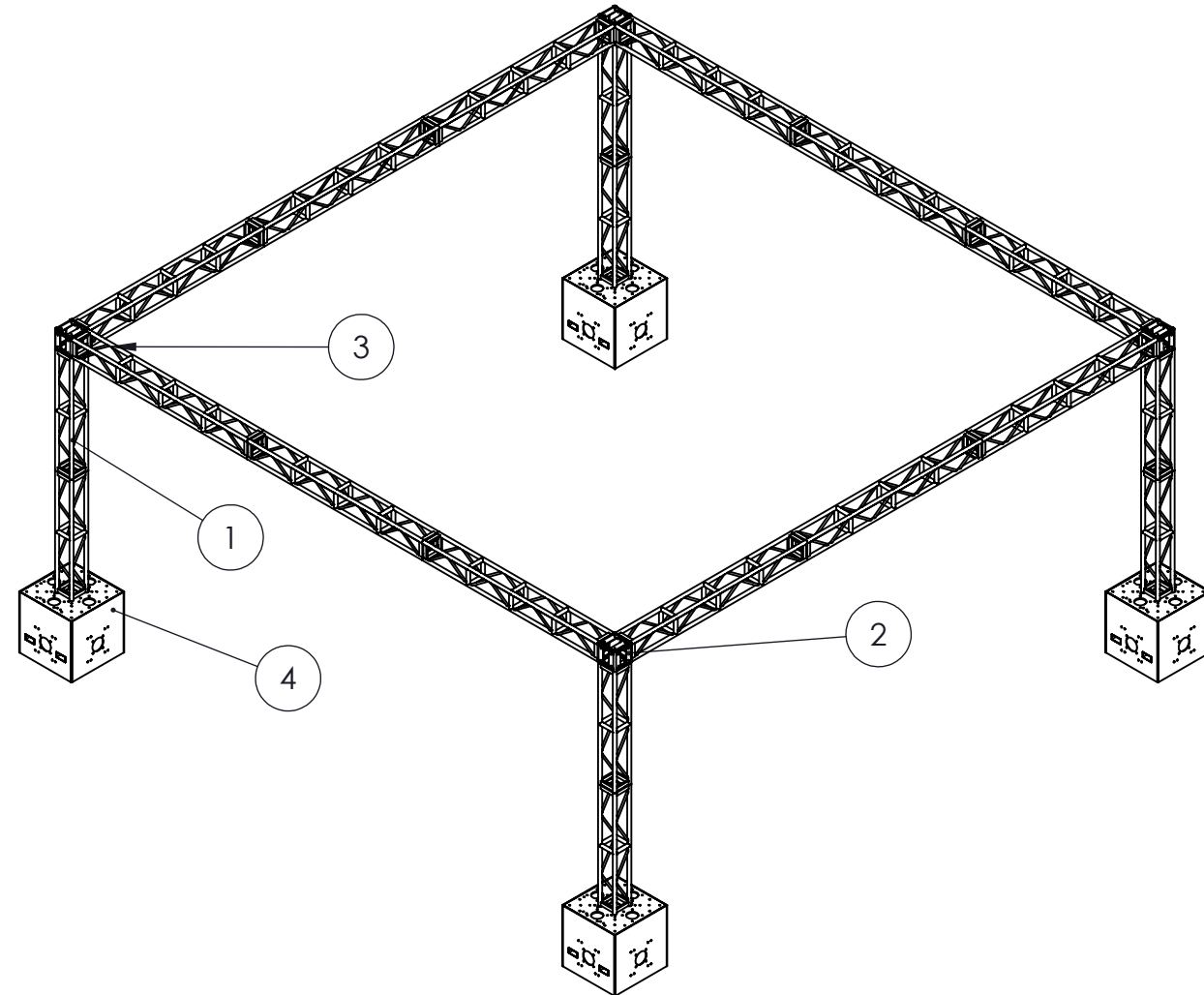
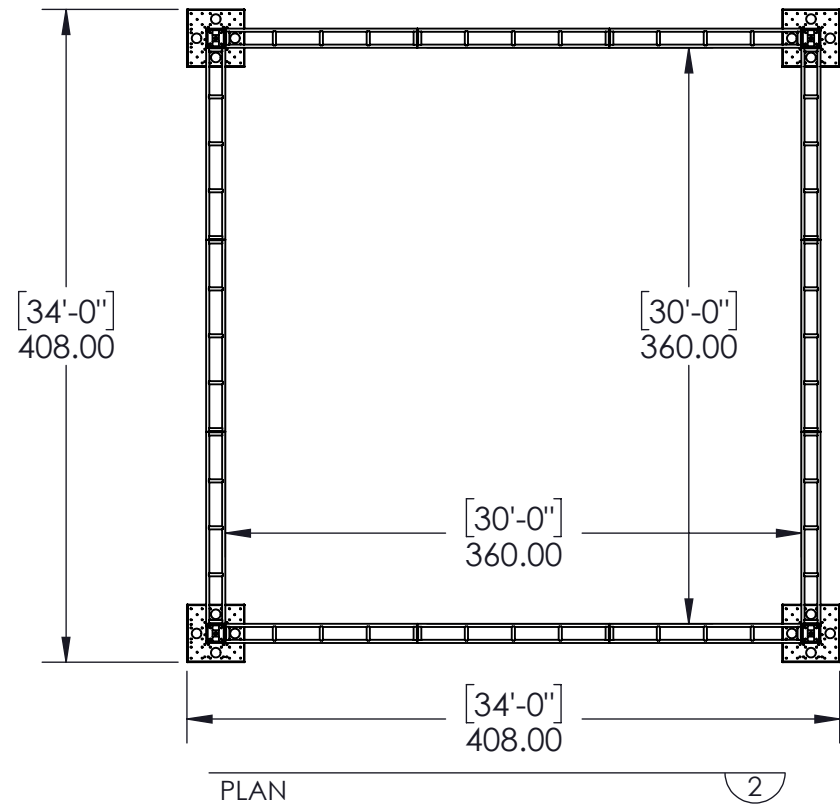
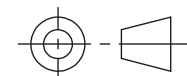


ITEM NO.	PART NUMBER	QTY.
1	6FT Truss	8
2	12in Corner Block	4
3	10FT Truss	12
4	G Block Assy	7



Weight: LBS



Date: 10/4/2016	Project Name: Gallagher
Scale: 1:80 @ 11in x 17in	Drawing Name: 30ftX30ftX14FT H.I.D. GB
Rev Date: 1/27/2017	Project Number: RQXX
Rev: 1	Drawn by: Dan pace
Sheet: 1 of 1	Drawing Number: 30ftX30ftX14FT H.I.D. GB

GALLAGHER STAGING & PRODUCTIONS
 15701 Heron Ave,
 La Mirada,
 CA 90628
 TEL: +1 (714) 690 1559
 www.gallagherstaging.com



All dimensions in inches unless otherwise stated Do **NOT** measure undimensioned features **IF IN DOUBT - ASK!**

THIS DRAWING IS PROPERTY OF GALLAGHER STAGING AND PRODUCTIONS AND CANNOT BE DUPLICATED, MODIFIED OR USED FOR ANY OTHER PURPOSE WITHOUT WRITTEN PERMISSION FROM GALLAGHER STAGING. USE OF THIS DRAWING FOR BIDDING IS STRICTLY PROHIBITED. VERIFY ALL DIMENSIONS, SPECIFICATIONS, AND CONDITIONS BEFORE USING THIS DRAWING FOR CONSTRUCTION. THIS DRAWING IS CONFIDENTIAL AND SHOULD NOT BE DISCLOSED TO A 3RD PARTY WITHOUT WRITTEN PERMISSION FROM GALLAGHER STAGING AND PRODUCTIONS.